

LG COOKING

LWD3063_

Built-In Double Wall Oven

9.4 cu. ft. Total Capacity (4.7 cu. ft. upper/lower)

EasyClean® Technology

NFC Tag On

Brilliant Blue Interior

Available in Stainless Steel and Black Stainless Steel



UPPER OVEN	
Capacity (cu.ft)	4.7
Interior Color	Blue
Cleaning	EasyClean® / Self-Clean (3,4,5 hours)
Variable cleaning time	Yes (3,4,5 hrs)
Variable broil	Yes(Full,Center / High,Med,Low)
Broil element	2,500 watts inner / 1,500 watts outer
Broil element pass	8
Bake element	2,500 watts
Bake element type	Hidden (8 pass)
= of rack position	5
12 hrs. shut-off	Yes
- = of light	3 (Halogen Lamp - 3 dimension lighting)
Convection conversion	Yes
-Convection element	Yes (2,000 watts Sheath heater)
Proof	Yes
Meat probe	-
Variable warm	Yes (High,Med,Low)
Favorites menu	3 (1. Bread,2. Meat,3. Chicken)
= of My menu	-
Gourmet recipe bank (e-cookbook)	-
Specialized cooking	-
LOWER OVEN	
Capacity (cu.ft)	4.7
Interior Color	Blue
Cleaning	EasyClean® / Self-Clean (3,4,5 hours)
Variable cleaning time	Yes (3,4,5 hrs)
Variable broil	Yes(Full,Center / High,Med,Low)
Broil element	2,500 watts inner / 1,500 watts outer
Broil element pass	8
Bake element	2,500 watts
Bake element type	Hidden (8 pass)
= of rack position	5
12 hrs. shut-off	Yes
- = of light	3 (Halogen Lamp - 3 dimension lighting)
Convection conversion	Yes
-Convection element	Yes (2,000 watts Sheath heater)
Proof	Yes

Variable warm	Yes (High,Med,Low)
Color & Material	STS Finish(Al) / Black Stainless
DIMENSIONS & WEIGHT	
Product	29-3/4"(W) x 52-1/16"(H) x 24-3/8"(D)
Cut-out	28- 1/2"(W) x 51-15/16"(H) x 23-1/2"(D)
Packing	33"(W) x 30"(D) x 57"(H)
Net weight (Kg)	Approx. 122.6 kg (270lbs)
Gross weight(Kg)	Approx. 137.6 kg (303bs)
POWER/RATINGS	
Rating	7.8 KW
Electric supply	120/240 VAC,120/208 VAC
Max. Amp Load	32.5 A
ACCESSORIES	
Broiler pan	1
Grid	1
Meat probe	-
Heavy Duty Rack	4
Gliding Rack	-
Cook book	-
Spray Water Tank	1
LIMITED WARRANTY	
Limited Warranty	1 Year Parts & Labor
UPC CODES	
LWD3063ST Stainless Steel	048232336535
LWD3063BD Black Stainless Steel	048232336504

LG COOKING

LWS 3063_

Built-In Wall Oven

QUICK INSTALL & CLEARANCES

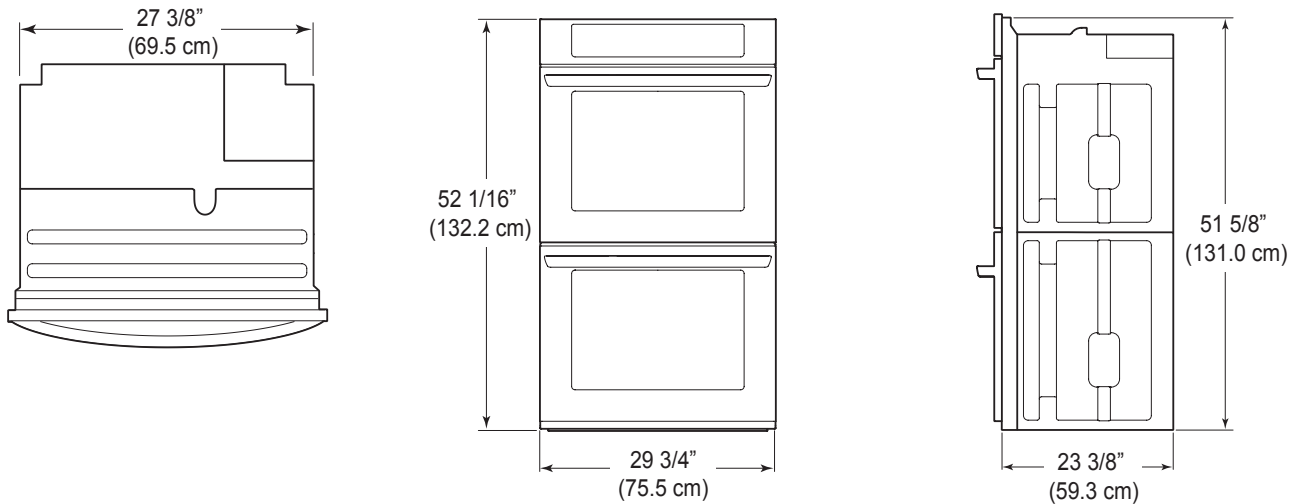
For full installation directions/clearances please refer to the corresponding User Manual and Installation Guide.

DIMENSIONS / CLEARANCES / WEIGHT

Product Dimensions (in) (W x H x D)	29 3/4" x 52 1/16" x 24 3/8"
Cut-out (W x H x D)	28 1/2" x 51 15/16" x 23 1/2"
Overall Depth (in) - including handle	000"
Actual Depth with Door Open (in):	000"
Oven Interior Dimensions (in) (W x H x D)	000" x 000" x 000"
Carton Dimensions (in) (W x H x D)	33" x 57" x 30"
POWER RATINGS	
Max. Amp load	32.5 A
Rating	7.8 kW
Requirements	120 / 240 VAC, 120 / 208 VAC

IMPORTANT NOTES

- The cabinet base platform must be able to support 325lbs (147kg). If the cabinet does not have a solid bottom, two braces or runners must be installed level with the bottom of the cutout to support the weight of the oven.
- Make sure the base is level and the front of the cabinet is square. If the cabinet base is not level, the oven glides will tend to slide out when opening the door.
- If marks, blemishes or the cutout opening are visible above the installed oven, it may be necessary to add wood shims under the runners and front trim until the marks or opening are covered.
- If the cabinet does not have a front frame and the sides are less than 3/4" (1.9 cm) thick, shim both sides equally to establish the cutout width.
- The junction box must be flush with the rear wall of the cabinet as shown below.
- Allow at least a 23" clearance for the door depth when it is open.
- Kitchen cabinets in contact with the oven must be heat resistant up to 194°F (90°C), and fronts of nearby units up to at least 158°F (70°C).

PRODUCT DIMENSIONS

CUTOUT DIMENSIONS

The first step of the installation is measure the current cutout dimensions and compare them to the cutout dimensions shown below. Little or no cabinet work may be necessary.

- Cabinet Width: 30" (762 mm)
- Recommended Minimum Cutout Location from Floor: 12" (304.8 mm)
- Cutout Depth: 23 1/2" Min. (596.9 mm)
- Cutout Width: 28 1/2" Min. (723.9 mm)
28 5/8" Max. (727 mm)
- Cutout Height: 51 13/16" Min. (1316 mm)
51 15/16" Max. (1319.2 mm)

