

## CONTENTS

### TUBULAR HANDLE

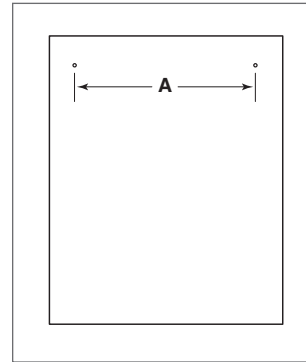
1	Handle
2	Standoff
2	Screw, #10–24 x 2"
2	Screw, #10–24 x 2 1/4"
2	Washer, flat
2	Washer, star
1	Instructions

### PRO HANDLE

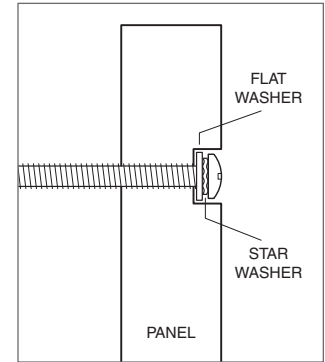
1	Handle
2	Standoff
2	Screw, #10–24 x 2 1/4"
2	Screw, #10–24 x 2 1/2"
2	Washer, flat
2	Washer, star
1	Instructions

### HANDLE LENGTH

	A
21 1/4" (540) Tubular Handle	18 1/4" (464)
19 1/2" (495) Pro Handle	18 1/4" (464)



Hole location.



Panel preparation (side view).

## HANDLE INSTALLATION

Panels thicker than 3/4" (19) may require additional counter bore depth or longer bolts.

Determine the handle type. For pro handles, the overall length includes the standoffs. Refer to the handle length chart and illustration for the center to center dimension (A), then mark and drill two 7/32" (6) holes. Using a smaller bit to drill pilot holes will help ensure a proper fit.

Counter bore panels so the bolt heads and washers are completely recessed. Place a star and flat washer onto each bolt then insert the bolts through the panel. Refer to the illustration.

Insert the bolts through the standoffs and into the handle. Tighten bolts to secure the handle to the panel.

