

# Frigidaire



## French Door Refrigerator

28.8 Cu. Ft. French Door Refrigerator

FRFN2823AS

Available Colors : Stainless Steel

Version : 04/22

### Refrigerator

|  |        |
|--|--------|
| Adjustable Temperature Drawer              | No     |
| Air Filter                                 | Yes    |
| Crisper Color                              | Clear  |
| Door Bin Color                             | Clear  |
| Humidity Controls                          | Manual |
| Interior Lighting                          | LED    |
| Produce Keeper Ready                       | Yes    |
| Produce Keeper Included                    | No     |
| Shelf Material                             | Glass  |
| Water Filter                               | Yes    |
| Number of Adjustable Gallon Plus Door Bins | 3      |
| Number of Fixed Condiment Door Bins        | 2      |
| Number of Fixed Gallon Plus Door Bins      | 3      |
| Total Number of Door Bins                  | 8      |
| Number of Adjustable Shelves               | 2      |
| Number of Fixed Shelves                    | 1      |
| Number of Crispers                         | 2      |

### Freezer

|                            |       |
|----------------------------|-------|
| Auto Close Drawer          | Yes   |
| Automatic Defrost          | Yes   |
| Basket Divider             | Yes   |
| Baskets / Bins Color       | White |
| Interior Lighting          | LED   |
| Shelf Material             | Glass |
| Number of Baskets / Bins   | 1     |
| Number of Pull Out Shelves | 1     |
| Total Number of Shelves    | 1     |

### Ice Maker

|                    |                |
|--------------------|----------------|
| Ice Maker          | Yes            |
| Ice Maker Location | Frozen Section |
| Ice Shape          | Square         |

### Controls

|                        |              |
|------------------------|--------------|
| Air Filter Indicator   | Yes          |
| Control Location       | Side of Door |
| Digital Display        | Yes          |
| Door Ajar Alarm        | Yes          |
| Ice Maker On/Off       | Yes          |
| Internal Control Lock  | Yes          |
| Mute Sound Control     | Yes          |
| On/Off Display         | Yes          |
| Power Failure Alarm    | Yes          |
| Power On/Off           | Yes          |
| Sabbath Mode           | Yes          |
| Water Filter Indicator | Yes          |

### Exterior

|               |        |
|---------------|--------|
| Counter-Depth | No     |
| Door Finish   | Smooth |
| Door Stops    | Yes    |
| Front Rollers | Yes    |
| Rear Rollers  | Yes    |

### Dimensions and Volume

|                            |              |
|----------------------------|--------------|
| Height With Hinge          | 70"          |
| Height Without Hinge       | 68 3/10"     |
| Width                      | 36"          |
| Width of Cabinet           | 35 6/10"     |
| Depth of Cabinet           | 28 1/2"      |
| Depth With Door            | 33 3/10"     |
| Depth With Door 90° Open   | 48 1/2"      |
| Depth With Door and Handle | 35 7/10"     |
| Freezer Capacity           | 9 Cu. Ft.    |
| Fresh Food Capacity        | 19.8 Cu. Ft. |
| Total Capacity             | 28.8 Cu. Ft. |

### Connectivity

|                |         |
|----------------|---------|
| Annual Energy  | 652 kWh |
| Condenser Type | Dynamic |

Note: For planning purposes only. Always consult local and national electric, gas and plumbing codes.

Refer to Product Installation Guide for detailed installation instructions on the web at [frigidaire.com](http://frigidaire.com) / [frigidaire.ca](http://frigidaire.ca)

Specifications subject to change. Accessories information available on the web at [frigidaire.com](http://frigidaire.com) / [frigidaire.ca](http://frigidaire.ca)

USA • 10200 David Taylor Drive • Charlotte, NC 28262 • 1-800-FRIGIDAIRE • [frigidaire.com](http://frigidaire.com)

CANADA • 5855 Terry Fox Way • Mississauga, ON L5V 3E4 • 1-800-265-8352 • [frigidaire.ca](http://frigidaire.ca)

# Frigidaire

28.8 Cu. Ft. French Door Refrigerator

FRFN2823AS

Version : 04/22

|                  |                   |
|------------------|-------------------|
| Cooling System   | Single Evaporator |
| Leveling Legs    | Yes               |
| Prop 65 Label    | Yes               |
| Refrigerant Type | R-600A            |
| Warranty - Labor | 1 Year            |
| Warranty - Parts | 1 Year            |
| Wi-Fi Enabled    | No                |

## Performance Certifications and Approvals

|                       |     |
|-----------------------|-----|
| ENERGY STAR Certified | Yes |
|-----------------------|-----|

## Safety Certifications and Approvals

|            |     |
|------------|-----|
| CSA Listed | Yes |
|------------|-----|

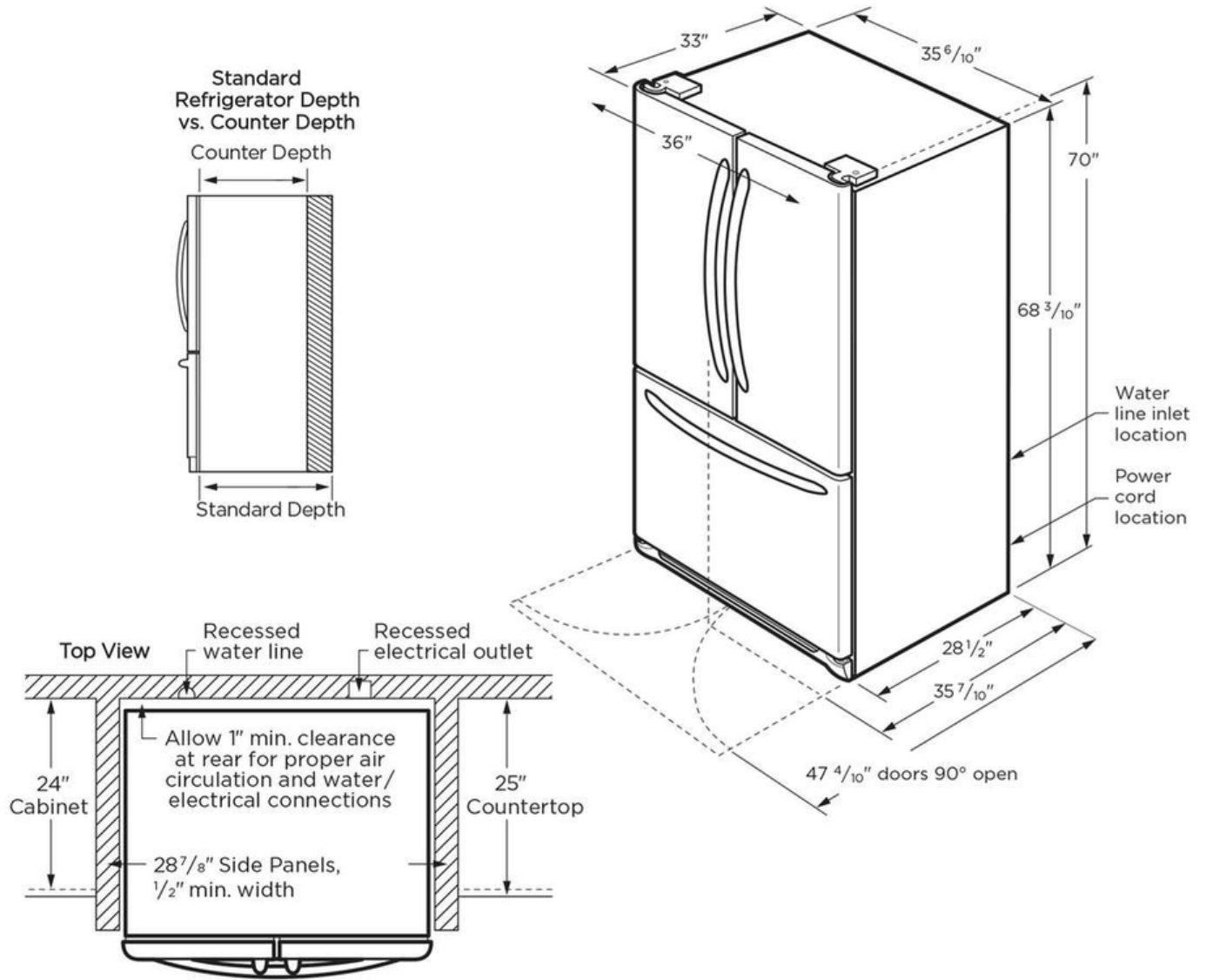
Note: For planning purposes only. Always consult local and national electric, gas and plumbing codes.

Refer to Product Installation Guide for detailed installation instructions on the web at [frigidaire.com](http://frigidaire.com) / [frigidaire.ca](http://frigidaire.ca)

Specifications subject to change. Accessories information available on the web at [frigidaire.com](http://frigidaire.com) / [frigidaire.ca](http://frigidaire.ca)

USA • 10200 David Taylor Drive • Charlotte, NC 28262 • 1-800-FRIGIDAIRE • [frigidaire.com](http://frigidaire.com)

CANADA • 5855 Terry Fox Way • Mississauga, ON L5V 3E4 • 1-800-265-8352 • [frigidaire.ca](http://frigidaire.ca)



Note: For planning purposes only. Always consult local and national electric, gas and plumbing codes.

Refer to Product Installation Guide for detailed installation instructions on the web at [frigidaire.com](http://frigidaire.com) / [frigidaire.ca](http://frigidaire.ca)

Specifications subject to change. Accessories information available on the web at [frigidaire.com](http://frigidaire.com) / [frigidaire.ca](http://frigidaire.ca)