

NE63T8511SS

SAMSUNG

Samsung Front Control Slide-In Electric Range with Air Fry

6.3 cu. ft. Capacity



Signature Features

Air Fry

- A healthier way to prepare your favorite fried foods right in your oven with little to no oil.* No preheating required. Air Fry tray included.

*As compared to deep frying.

Convection+

- Powerful Convection+ saves you time by cooking food fast and more evenly. Perfect for baking and roasting.

Fingerprint Resistant Finish

- Fingerprint resistant for an everyday beautiful finish.

Available Colors



Fingerprint Resistant
Stainless Steel (shown)



Fingerprint Resistant
Black Stainless Steel

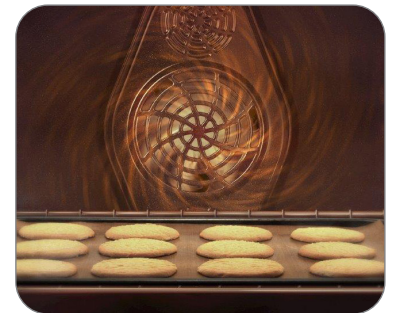
Bespoke Finish



White Glass



Air Fry



Convection+

Features

- Air Fry, Tray Included
- Convection+
- Fingerprint Resistant Finish
- Large Oven Capacity – 6.3 cu. ft.
- Rapid Boil™ – 3300 W Element
- Glass Touch Controls
- Ready2Fit™ Guarantee
- Storage Drawer

- Flexible Cooktop:
Five Element Cooktop
 - One Triple Element (6"/9"/12")
 - One Dual Element (6"/9")
 - Two Single Elements (6")
 - Warming Center

Convenience

- Wi-Fi
- Voice Control
- Convection+
- Self & Steam Clean
- Hidden Bake Element
- Child Safety Lock
- Delay Start
- Auto Oven Light
- Kitchen Timer
- Sabbath Mode



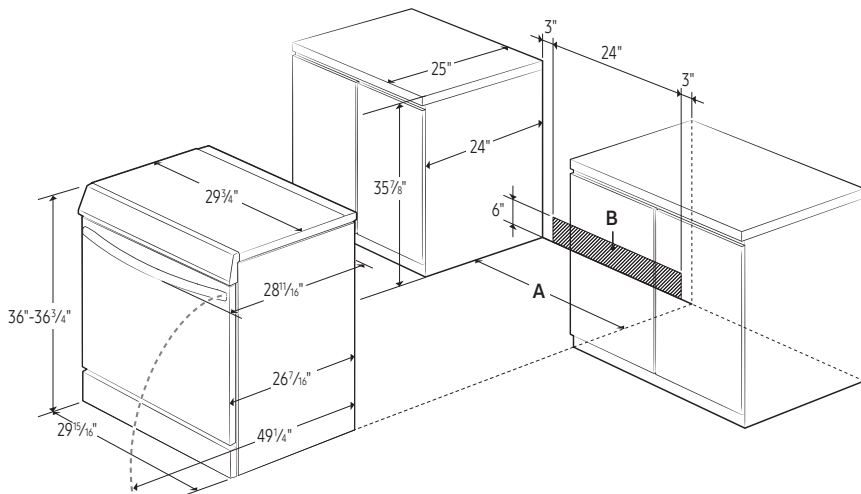
NE63T8511SS

SAMSUNG

Samsung Front Control Slide-In Electric Range with Air Fry

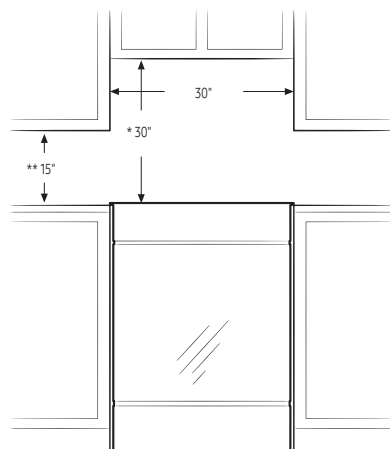
6.3 cu. ft. Capacity

Installation Specifications



A: Cabinet opening min 30"
B: Acceptable electrical outlet area

IMPORTANT: If your cabinets are over 36³/₄" high, you must install this range on a hard, heat-resistant support that raises the surface of the range so that it is about even with the countertop.



* 30" minimum clearance between the top of the cooking surface and the bottom of an unprotected wood or metal cabinet; or 24" minimum when the bottom of the wood or metal cabinet is protected by not less than 1/4" of flame retardant millboard covered with not less than no.28 MSG sheet steel, 0.015" stainless steel, 0.024" aluminum, or 0.020" copper.

**15" minimum between the countertop and the adjacent cabinet bottom.

IMPORTANT: Consult with Installation Manual for detailed instructions before installing. All ranges must be installed with the Anti-Tip device that is included.

Power Source

240V/208V/60 Hz/40A

Electric Cooktop

- Right Front: 6"/9"/12" Triple Element, 3000 W
- Left Front: 6"/9" Dual Element, Rapid Boil™ 3300 W
- Right Rear: 6", 1200 W
- Left Rear: 6", 1200 W
- Center: 7", Warming Center

Oven

- Capacity: 6.3 cu. ft.
- Convection Element/Heater
- Convection Bake
- Convection Roast
- Bake
- Air Fry
- Bread Proof
- Dehydrate

Warranty

One (1) Year Parts and Labor

Product Dimensions & Weight (WxHxD)

Oven Interior Dimensions:

24¹³/₁₆" x 22⁷/₁₆" x 19³/₄"

Outside Net Dimensions:

29¹⁵/₁₆" x 36-36³/₄" (Adjustable) x 28¹¹/₁₆"

Weight: 174 lbs

Shipping Dimensions & Weight (WxHxD)

Dimensions:

33¹/₁₆" x 41³/₄" x 30⁵/₁₆"

Weight: 194 lbs

Standard Finishes

Standard Finishes	Model #	UPC Code
Fingerprint Resistant Stainless Steel	NE63T8511SS	887276409054

Fingerprint Resistant Black Stainless Steel	NE63T8511SG	887276409047
---	-------------	--------------

Bespoke Finish

White Glass	NE63BB851112	887276697659
-------------	--------------	--------------

