

SO24TE/S/TH



## FEATURES

Control heat and airflow expertly with a convection fan to create just the right cooking environment for everything from Cornish hens to cherry pie to butternut squash

Insert a temperature probe to tell you exactly when it is done—and in gourmet mode, it will alert you the moment the dish is ready

Includes options such as self-clean and quick preheat

Small size and versatile design to fit in any kitchen

Integrates beautifully into surrounding cabinetry with flush installation

Promotes excellent visibility via two bright halogen lights and large, double-panel-glass door windows

## ACCESSORIES

Full-Extension Rack

Perforated Pan 12 3/4" x 1 1/2" x 7"

Perforated Pan 12 3/4" x 2 1/2" x 7"

Perforated Pan 17 3/4" x 1 1/4" x 15"

Porcelain Baking Sheet

Pro Handle

Solid Pan 12 3/4" x 1 1/2" x 7"

Solid Pan 12 3/4" x 1 1/4" x 14"

Solid Pan 17 3/4" x 1 1/4" x 15"

Temperature Probe

Accessories available through an authorized dealer.

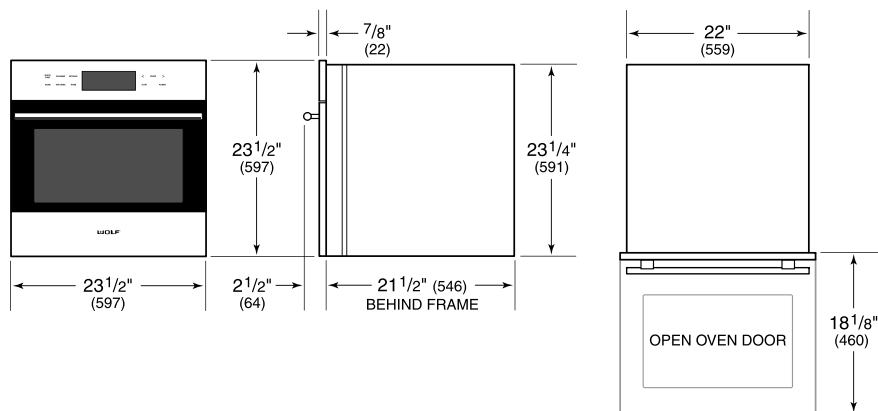
For local dealer information, visit [subzero-wolf.com/locator](https://subzero-wolf.com/locator).



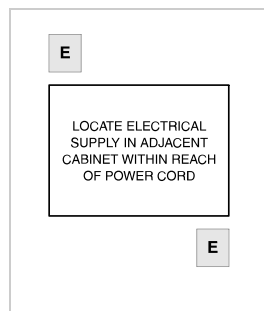
**PRODUCT SPECIFICATIONS**

|                            |                                |
|----------------------------|--------------------------------|
| Model                      | SO24TE/S/TH                    |
| Dimensions                 | 23 1/2"W x 23 1/2"H x 21 1/2"D |
| Oven 1 Interior Dimensions | 18"W x 13 3/4"H x 16"D         |
| Overall Capacity           | 2.4 cu. ft.                    |
| Usable Capacity            | 1.6 cu. ft.                    |
| Door Clearance             | 18 1/8"                        |
| Weight                     | 119 lbs                        |
| Electrical Supply          | 240/208 VAC, 60 Hz             |
| Electrical Service         | 20 amp dedicated circuit       |
| Power Cord Length          | 6 Feet                         |
| Receptacle                 | NEMA 6-20R grounding-type      |

**DIMENSIONS**

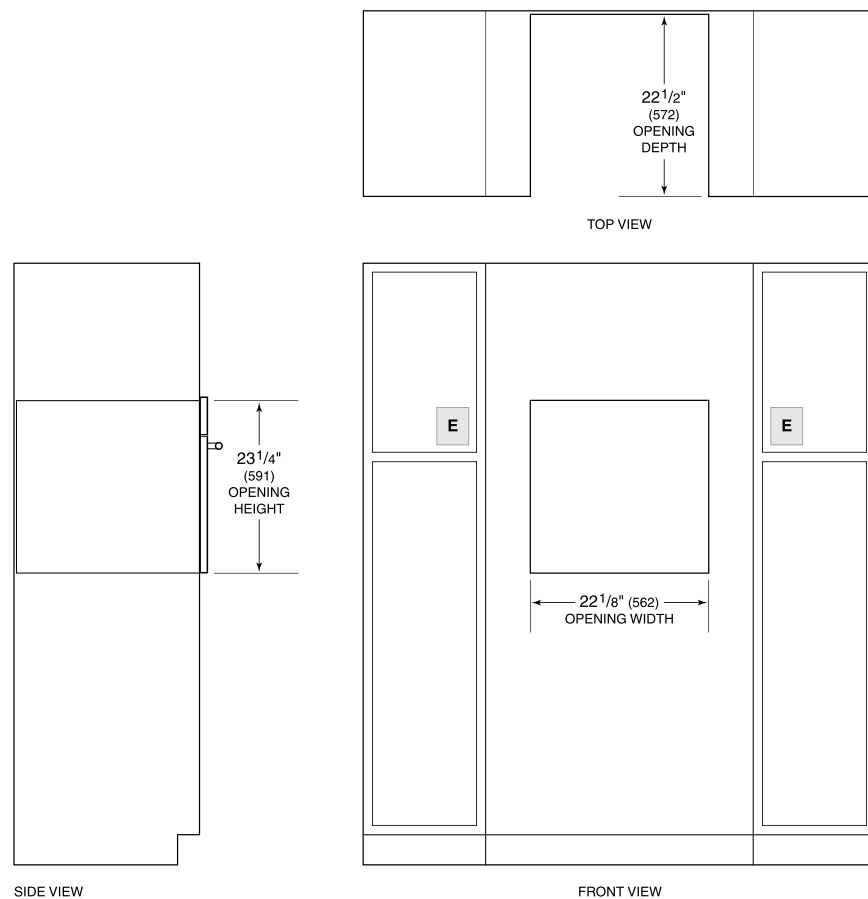


**ELECTRICAL**



**NOTE:** Dimensions in parenthesis are in millimeters unless otherwise specified

**STANDARD INSTALLATION**



SIDE VIEW

FRONT VIEW

**NOTE:** Electrical supply must be located in adjacent cabinet within 3' (.9 m) of opening.