



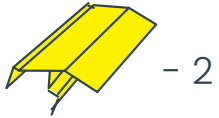
## Step 1

Lay the frame pieces face down as shown on a soft surface.

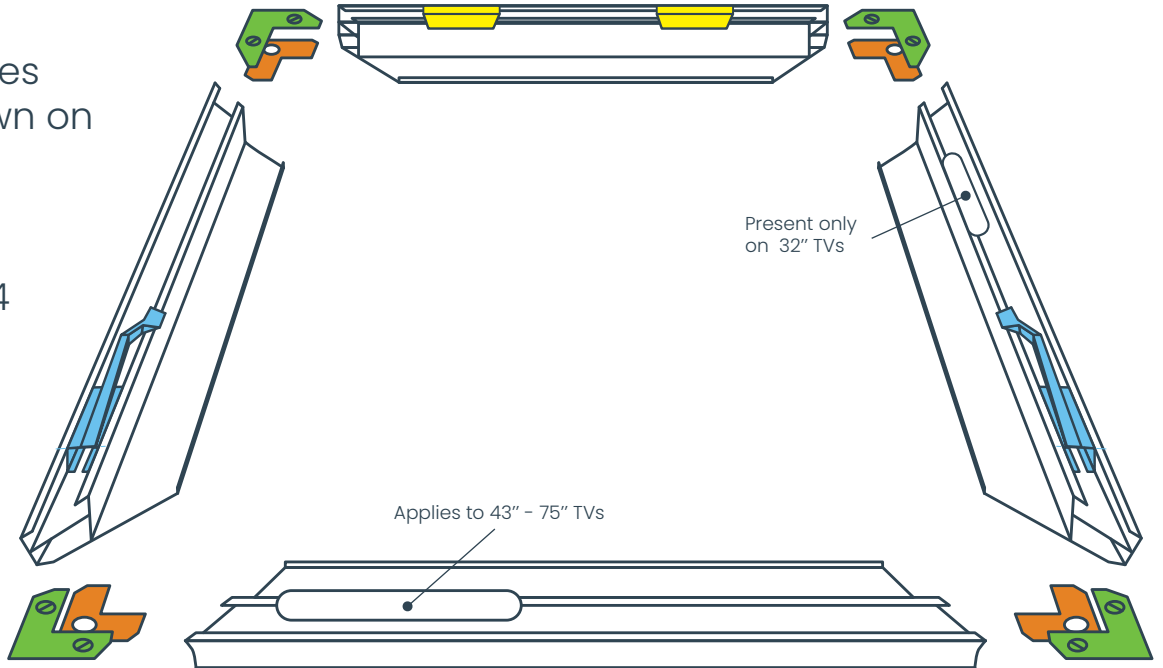
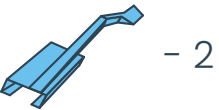
Corner Keys



Top Frame Hooks



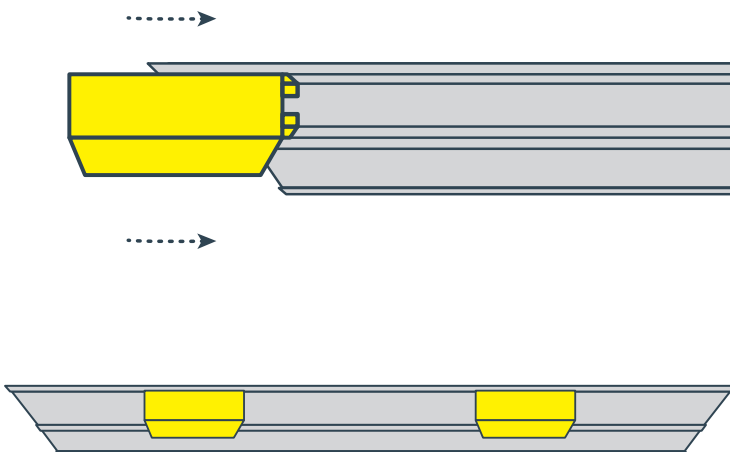
Side Latches



**Note:** We have included 1 extra spare of each piece of hardware. These can be discarded or set aside if not needed.

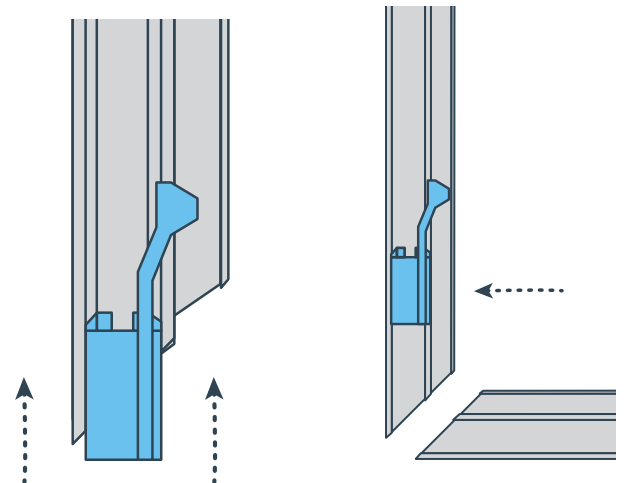
## Step 2

Slide the hooks at the top frame rail.



## Step 3

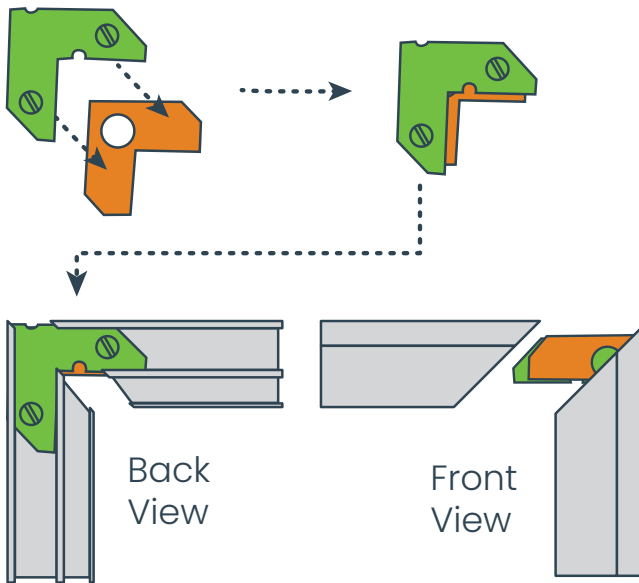
Slide the latches into the left and right side rails as shown near the bottom of the side rails.





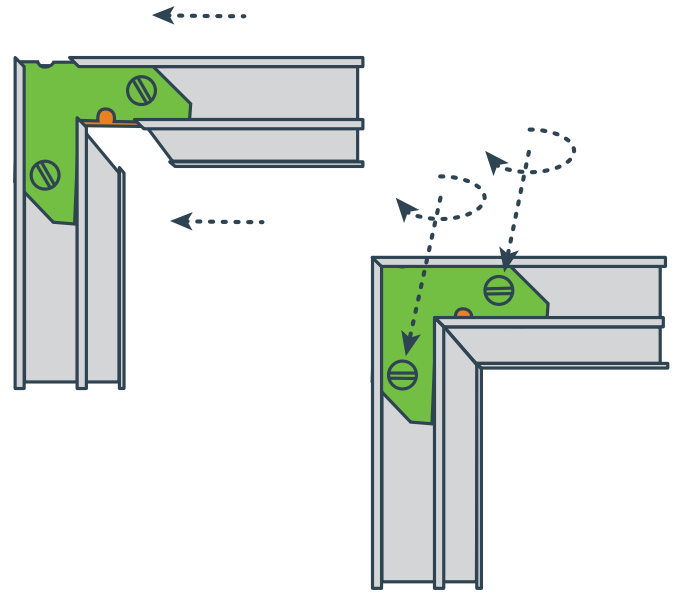
## Step 4

Put the 2 corner bracket in the each corner of the frame rail.




## Step 5

Assemble each corner and tight the 2 screws.



## Step 6

Hook the top edge of the frame onto the TV and just press gently on the bottom of the frame to clip it on TV.

 **Note:** If the frame does not appear to be fitting properly, be sure you have the frame at 45 degree or greater when attaching the top hooks onto the TV.

