

# MRF100B

PowerBlaster™

## OWNER'S MANUAL

No More Pointing..  
changing the way a  
remote control works!



**UNIVERSAL®**  
remote control

500 Mamaroneck Avenue  
Harrison, NY 10528  
Phone: 1-914-835-4484  
FAX: 1-914-835-4532

[www.universalremote.com](http://www.universalremote.com)

## Universal Remote Control



## OWNER'S MANUAL

No More Pointing..  
changing the way a  
remote control works!

# MRF100B

PowerBlaster™

## Congratulations!

Congratulations on purchasing Universal Remote Control's PowerBlaster™ MRF100B!

### This changes everything!

When used in combination with PowerBlaster™, a MasterControl™ RF series remote control (RF10, RF20, RF30) becomes an amazing remote control powerhouse that sends multi-directional RF (Radio Frequency) signals that pass through walls, doors and floors – both indoors and outdoors.

### PowerBlaster™ sets you free!

It enables you to control Components that are completely out-of-sight, up to 100' away. The PowerBlaster™ picks up RF remote control radio frequency signals from any direction, regardless of distance, so the remote doesn't need to be pointed directly at any Component. Just imagine – no more pointing! Now you can close your entertainment

center doors, hide your Components, and still control them with ease. Control outdoor speakers on your patio. Control your Components anywhere!

### RF Remotes are ready to go!

One of the best things about this is — nothing has to be done to the remotes themselves for this feature to work. Every time you press a button on one of the MasterControl™ RF series remotes, it sends both a standard IR (Infrared Command) AND an RF (Radio Frequency) signal. When you install the PowerBlaster™ kit, it will automatically receive radio signals from RF series remotes and translate them into the infrared commands that control your Components.

### Quick Setup DVD Guide makes installation easy!

The Quick Setup DVD Guide will assist you in setting up PowerBlaster™ to work with your RF series remotes by guiding you

through an easy step-by-step process. This Owner's Manual is designed as a companion reference source to the DVD Setup Guide, should you need to refer back to a particular section, or review certain instruction detail not covered in the DVD. However, if you are unable to watch the DVD Guide for some reason, everything you need to know about setting up PowerBlaster™ is contained in this Manual.

**NOTE: PowerBlaster™ is only compatible with Universal Remote Control's MasterControl™ RF series remote controls (RF10, RF20, RF30). RF series remote control radio signals will not control Components directly. You must have a PowerBlaster™ to receive the RF remote radio signals. Also, Components that came with "no pointing" radio remote controls cannot be operated by an RF series remote unless the Component can be switched to standard IR (Infrared Control) via its internal menu. Some remote control ceiling fans are radio only and cannot be operated by an RF series remote.**



**UNIVERSAL**  
remote control

500 Mamaroneck Avenue, Harrison, NY 10528  
Phone: (914) 835-4484 Fax: (914) 835-4532

POWERBLASTER™ Owner's Manual  
© 2006 Universal Remote Control, Inc.

*The information in this manual is copyright protected. No part of this manual may be copied or reproduced in any form without prior written consent from Universal Remote Control, Inc. UNIVERSAL REMOTE CONTROL, INC. SHALL NOT BE LIABLE FOR OPERATIONAL, TECHNICAL OR EDITORIAL ERRORS / OMISSIONS MADE IN THIS MANUAL. The information in this manual may be subject to change without prior notice. MASTERCONTROL, PowerBlaster, MacroPower, and SimpleSound are trademarks of Universal Remote Control, Inc. All other brand or product names are trademarks or registered trademarks of their respective companies or organizations.*

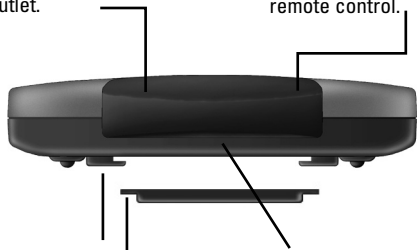


## Parts Guide

Quantity	Description
1	PowerBlaster™ Receiver with integrated antenna
1	Mounting Plate for wall mounting PowerBlaster™
4	Screws for wall mounting the mounting plate
1	9V-300mA Power Supply
6	Flashers with 10 foot plug-in cables.

Red Power LED lights to indicate when PowerBlaster™ is plugged into an active AC outlet.

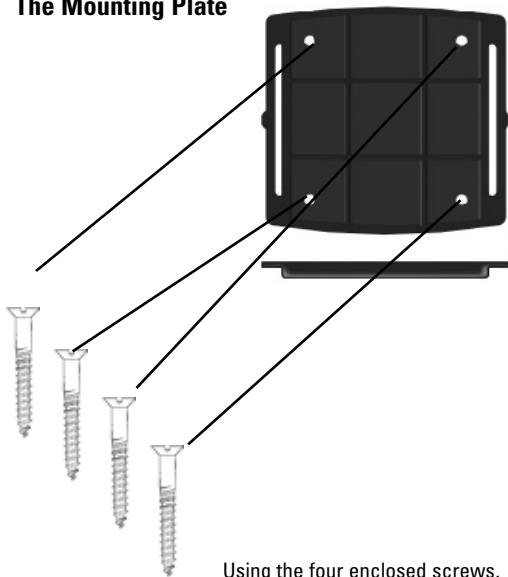
Red Status LED lights when PowerBlaster™ receives an RF signal from an RF series remote control.



The Mounting Plate guides enable PowerBlaster's™ matching guide to slide and "snap" into place for mounting on the wall.

Front blaster sends Infrared commands to all A/V components in the same cabinet space.

## The Mounting Plate



Using the four enclosed screws, you can choose to fix the mounting plate to a wall or the back of your component cabinet.

Integrated antenna swings in any direction to optimize RF reception and range.



Included 9V power supply plugs into the MRF-100 power connector.



Six flasher jacks on the rear of PowerBlaster™ connect flashers for control of A/V components out-of-sight of the front blaster.



Six plug-in flashers are supplied with 10 foot cables and six extra self-adhesive pads (in case a flasher has to be repositioned).

## Program and Test Remote Control First

Don't connect power to PowerBlaster™ until you have programmed and tested the remote control line of sight. PowerBlaster™ can interfere with testing and programming.

### STEP 1:

**Turn ON all of your components.** Audio /Video components sometimes create RF interference. Therefore, perform all testing with all of your components powered ON (as they will be when you operate the system).

as the button is released. If there is any flickering, move PowerBlaster™ farther away from the A/V components.

### STEP 2:

**Connect the Power Supply.** Connect the 9V power supply to an active UNSWITCHED AC outlet. PowerBlaster™ must always be powered up. The red Power LED should light up.

### STEP 4:

**Orient the Antenna for Optimum Range.** If you need to extend the range of the remote, try adjusting the angle of PowerBlaster's™ receiving antenna via it's pivoting ball mount.

### STEP 3:

**Test Placement of PowerBlaster™.** PowerBlaster™ should be placed so that the STATUS LED only lights up when a button is pressed on an RF series remote control. It should go out as soon

### STEP 5:

**Mount PowerBlaster™.** PowerBlaster™ may be concealed and mounted to the rear wall or back of the system cabinet. The mounting plate slides apart from the receiver, mounts to the wall, then the receiver can slide back into place.

**STEP 6****Test Operation Without Flashers.**

With the remote controls line-of-sight output blocked by your hand, a book or a pillow; test the control of your components using just the front blaster. In most cabinets, the PowerBlaster's™ front blaster will control any A/V components in the same cabinet space by reflections from the cabinet walls and doors. Make sure that the components operate with the cabinet doors closed or open. If a component is placed too far away from the front blaster, you will need to utilize the included flashers plugged into PowerBlaster's™ rear flasher jacks.

If you have problems with components that are close to the front blaster, try repositioning PowerBlaster™ farther away.

**STEP 7:****Connect Flashers to Out-of-Sight A/V Components.**

**Note: Test the operation BEFORE sticking the flasher in place.**

Use a flashlight to identify the correct location of the component's IR sensor, then try a few commands while moving the flasher around the face plate of the component. The most reliable operation typically occurs a half inch or so away from the IR sensor. Once you have found the spot that gives the most reliable operation, peel off the protective backing of the self-adhesive tape on the included flashers and stick them in place.

**Note: Always replace the self-adhesive tabs if you have to reposition a flasher. Six extra self-adhesive tabs are supplied for this purpose.**

**Warranty**

PowerBlaster™ is covered against any manufacturers defects or workmanship for a period of one year from the date of purchase if purchased from an authorized Universal Remote Control dealer. Units purchased from online auction sites or other unauthorized resellers have no warranty. This warranty does not cover the following items:

- Damage from misuse, neglect, or acts of nature.
- Products that have been modified or incorporated into other products.
- Products purchased more than 12 months ago.
- Units purchased from unauthorized dealers or companies.

**Specifications**

Power Supply: 9V 300mA

IR Flasher Line Outputs: 2.5mm Mono Mini Jack

RF Frequency: 418MHz

**Who can I call for more answers?**

The Universal Remote Control Technical Support and Customer Service staff are ready to answer any questions you might have.

Call us at 1-914-835-4484

Monday - Friday, 9AM to 6PM (EST)