



5 SERIES INDOOR WARMING DRAWER

Viking 5 Series – VWD

PROFESSIONAL FEATURES

- Temperature settings from 90 to 250°F accommodate all types of food
 - Low setting is ideal for plate warming or bread proofing
 - High setting keeps soups and sauces piping hot
- Large drawer capacity
 - 27"W. model: 17-1/4" wide by 6" high by 22-3/4" deep (1.4 cubic ft.)
 - 30"W. model: 20-1/2" wide by 6" high by 22-3/4" deep (1.7 cubic ft.)
 - Entire drawer is easily removable for cleaning
- Versatile moisture-selector control regulates amount of moisture released from drawer
 - Adjustments can be made without opening the drawer and affecting the interior temperature and humidity – open vent to keep foods crisp; close vent to keep foods moist
- Shipped with two removable stainless steel low racks and removable stainless steel moisture cup
 - Low racks cover entire bottom of pan for the largest loads or remove one section for half coverage
 - Moisture cup holds water to increase interior humidity
- Powerful 425-watt heating element on 27" wide model;
- 450-watt element on 30" wide model
- Power "on" indicator light cycles on and off with heating element



COMMERCIAL CONSTRUCTION AND DESIGN

- Commercial-type size and styling
- Heavy-duty drawer handle and perimeter trim
- Stainless steel roller-bearing glides for smooth drawer operation
- Large, easy-to-read, commercial-type knob (hidden when door is closed)

INSTALLATION OPTION

- All indoor warming drawers can be installed flush to the cabinet with no separate accessory needed

MODEL NUMBERS

- VWD527 – 27"W. Warming Drawer
- VWD530 – 30"W. Warming Drawer

COLOR FINISHES

- Stainless Steel (SS) and White (WH)



- Available in 14 exclusive color finishes Alluvial Blue (AB), Arctic Gray (AG), Black Forest Green (BF), Bywater Blue (BW), Cast Black (CS), Cypress Green (CY), Damascus Gray (DG), Frost White, (FW) Kalamata Red (KA), Pacific Gray (PG), Reduction Red (RE), Slate Blue (SB), San Marzano Red (SM), Vanilla Cream (VC)



WARRANTY

- 2-year full – complete product
- 90-day full – cosmetic parts such as glass, painted items and decorative items
- 5-year limited – electric heating elements

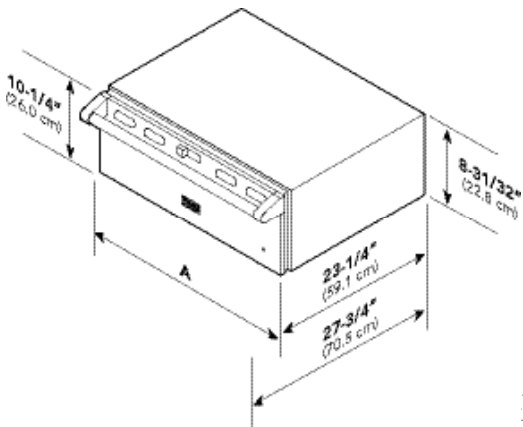


5 SERIES INDOOR WARMING DRAWER

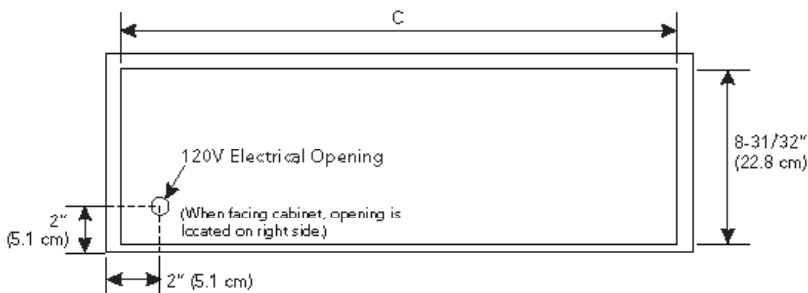
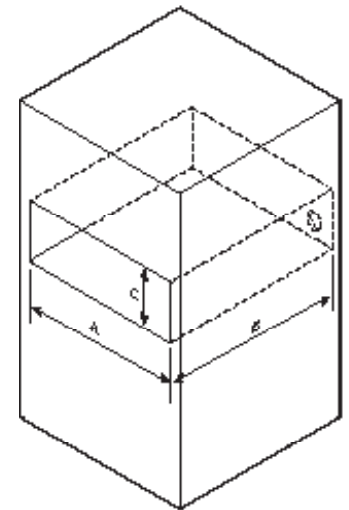
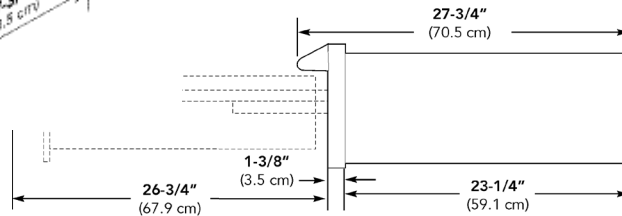
Viking 5 Series – VWD

ELECTRIC WARMING DRAWERS		
DESCRIPTION	VWD527	VWD530
Overall Width	26-1/2" (67.3 cm)	29-1/2" (74.9 cm)
Overall Height	10-1/4" (26.0 cm)	
Overall Depth from Rear	To end of handle – 27-3/4" (70.5 cm) With drawer fully extended – 51-3/8" (130.5 cm)	
Cutout Width	25-1/4" (64.1 cm)	28-1/4" (71.8 cm)
Cutout Height	9-1/4" (23.5 cm)	
Cutout Depth	23-3/8" (59.4 cm) minimum	
Electrical Requirements	120VAC/60Hz – hard wire direct with separate 15-amp minimum 2-wire with ground circuit	
Maximum Amp Usage	425 watts – 3.6 amps	450 watts – 3.8 amps
Interior Dimensions	Width – 17-1/4" (43.8 cm) Height – 6" (15.2 cm) Depth – 22-3/4" (57.8 cm) Overall Size – 1.4 cu. ft.	Width – 20-1/2" (52.1 cm) Height – 6" (15.2 cm) Depth – 22-3/4" (57.8 cm) Overall Size – 1.7 cu. ft.
Approximate Shipping Weight	80 lb. (36 kg)	90 lb. (40.5 kg)

Please do not prepare installation from brochure data only. See installation instructions for important clearance/installation information.



	VWD527	VWD530
A	26-1/2" (67.3 cm)	29-1/2" (74.9 cm)



	VWD527	VWD530
A	25-1/4" (64.1 cm)	28-1/4" (71.8 cm)
B	23-1/2" (59.7 cm)	23-1/2" (59.7 cm)
C	9-1/4" (23.5 cm)	9-1/4" (23.5 cm)
Flush Mount Option		
A	26-15/16" (68.4 cm)	29-15/16" (76.0 cm)
B	25-3/8" (64.5 cm)	25-3/8" (64.5 cm)
C	10-5/8" (27.0 cm)	10-5/8" (27.0 cm)



VIKING RANGE, LLC 111 FRONT STREET GREENWOOD, MISSISSIPPI 38930 USA

For detailed product information, model numbers, or to request a quote call 1-888-845-4641 or visit vikingrange.com

© 2020 Viking Range, LLC All rights reserved. Specifications subject to change without notice.