

JBL 4305P STUDIO MONITOR

Powered Bookshelf Loudspeaker System



Product Overview

The JBL 4305P Studio Monitor is a completely self-contained powered loudspeaker system featuring high-resolution streaming audio and prosumer connectivity.

Patented JBL acoustic technologies render sound with incredible accuracy and powerful dynamics, while extensive wired and wireless connectivity open a world of possibilities for the music lover and content creator.

The integrated streaming engine provides both wired and wireless network audio capabilities via Google Chromecast built-in, Apple AirPlay 2, and Bluetooth audio.

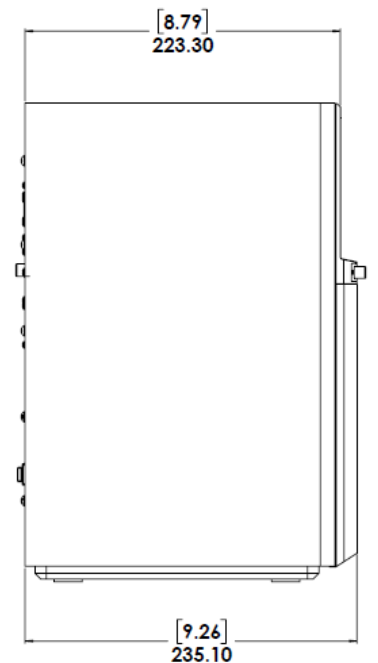
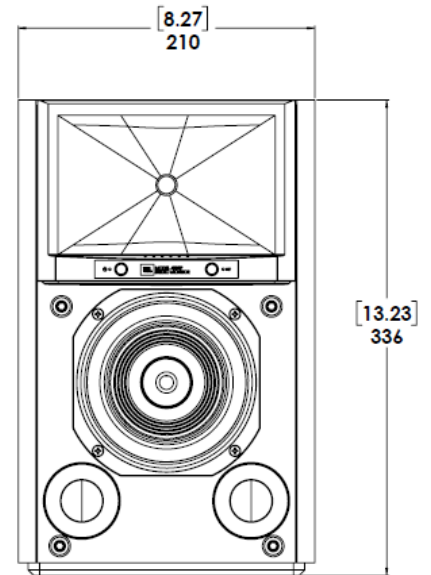
A 24-bit/192kHz high-resolution DAC ensures your favorite music comes across with the highest fidelity. In addition to premium wireless audio, the 4305P provides extensive connections for analog and digital physical sources including a professional-grade combination XLR / ¼-inch TRS phono input for use with balanced or unbalanced signals.

Highlights

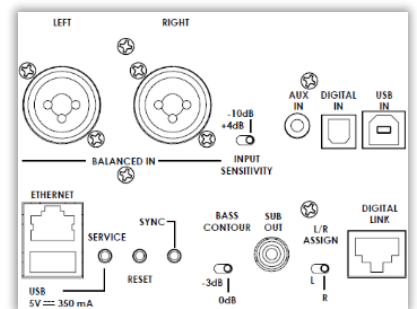
- High-performance powered bookshelf loudspeaker system
- Patented JBL 2410H-2 1-inch (25mm) compression driver and High-Definition Imaging horn
- Patented JBL JW130P-4, 5.25" (130mm) Pure-pulp Black Paper Cone Woofers with Cast-frames
- 300W total system power and 24-bit/192kHz high-resolution DAC
- Google Chromecast Built-in, Apple AirPlay 2, and Bluetooth wireless audio
- USB and optical digital inputs plus XLR / ¼-inch TRS and 3.5mm analog inputs
- Available in Natural Walnut or Black Walnut furniture-grade wood veneer finishes
- Wireless remote included and available MusicLife app for control

Specifications

| | |
|---|---|
| Type: | Compact, Bass-reflex Loudspeaker System with Built-in Amplification, DSP, and Wireless Connectivity |
| Low Frequency Drivers: | JW130P-4, 5.25-inch (130mm) Pure-pulp Black Paper Cone Woofers with Cast-frames |
| High Frequency Drivers: | 2410H-2, 1-inch (25mm) Annular Ring, Teonex® Diaphragm Compression Drivers with Advanced HDI™ Geometry Horns |
| Amplifier Power: | 300W Class D System Power 150W RMS per Speaker (25W per HF Compression Driver + 125W per LF Woofer) |
| Audio Resolution: | Up to 24-bit, 192 kHz (Digital Link connection between spks) Up to 24-bit, 96 kHz (Wireless connection between spks) |
| Frequency Response: | 45 Hz - 25 kHz (-6 dB) |
| Crossover Frequency | 1,750 Hz |
| Dispersion | 90° Horizontal x 60° Vertical (2kHz to 20kHz) |
| Sound Controls: | Front Panel: Volume +/- and Source Selection Bluetooth Remote Boundary Compensation (Flat / -3dB) |
| Wireless Inputs: | WiFi streaming, Bluetooth 5.1 |
| Wired Inputs: | Analog: XLR/¼" Combo and 3.5mm stereo Digital: Asynchronous USB-B and Toslink/Optical |
| Supported Digital Audio Sample Rates (PCM 2CH) | Streaming & Local Media: 32kHz/44.1kHz/48kHz/88.2kHz/96kHz/176.4kHz/192kHz SPDIF: Up to 192kHz Bluetooth: Up to 48kHz |
| Music Formats Supported (Local Media) | AAC / AIFF / ALAC / DSD (to PCM) / FLAC / MP3 / MP4 / OGG / WAV / WMA |
| Subwoofer Output: | Autosensing w/ Auto-engage of 80Hz High Pass Filter |
| Remote Control Type: | BTLE Wireless |
| Bluetooth Audio | Version 5.1 Profiles: SPP (Serial Port Profile) A2DP (Advanced Audio Distribution Profile) AVRCP (Audio/Video Remote Control Profile) |
| Enclosure: | Bass-reflex Design with Dual Front-facing Ports ¾" MDF Finished in Satin Walnut or Black Walnut Furniture-Grade Wood Veneer |
| Grille: | Dark Blue (with Walnut Cabinet) or Black (with Black Cabinet) Acoustically Transparent Cloth Grille |
| Net Speaker Dimensions with grille: | 13.2" H x 8.3" W x 8.8" D (336mm x 210mm x 223.3mm) |
| Net Speaker Weight: | Primary: 14.6 lbs (6.6kg) Secondary: 14 lbs (6.4kg) |
| Shipping Units of Measure: | System Pairs |
| Gross Shipping Dimensions: | 18.13" H x 23.5" W x 11.38" D (460.4mm x 596.9mm x 288.9mm) |
| Gross Shipping Weight: | 34.2 lbs (15.5 kg) |
| AC Input Voltage: | 100 - 240 VAC (+/-10%), 50/60Hz |



Primary Speaker – Back Panel Connections



Secondary Speaker – Back Panel Connections

