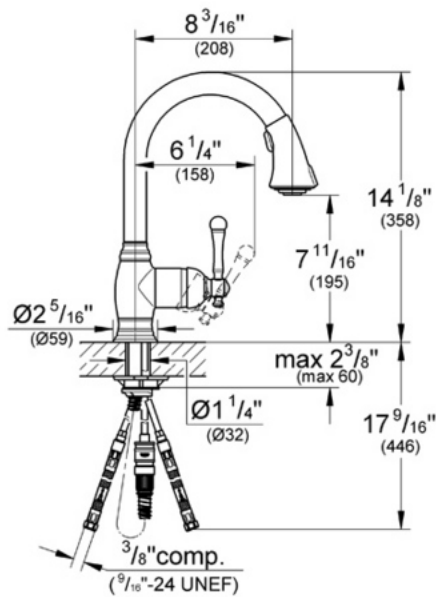


Bridgeford 33 870

Dual Spray Pull-Out



Description

GROHE SilkMove®; Ceramic cartridge
SpeedClean®; anti-lime system
Convenient Dual Spray Trigger - hold and release on/off
spray control
regular flow to spray
Quick installation system
Single lever handle
Variable handle positioning
Stainless steel braided flexible supplies
56-inch extractable hose
8 3/16-Inch spout reach
360°; swivel spout

IAPMO file # 1750

Flow Rate

2.2 gpm at 45 psi, 2.5 gpm at 80 psi
(9.5 lpm)

Code Compliance

- * ASME/ANSI A112.18.M
- * ANSI/NSF Standard 61
- * ADA Compliant

Finish Options

- 33 870 OOO Chrome
- 33 870 ENO Infinity Brushed Nickel
- 33 870 ZBO Oil Rubbed Bronze