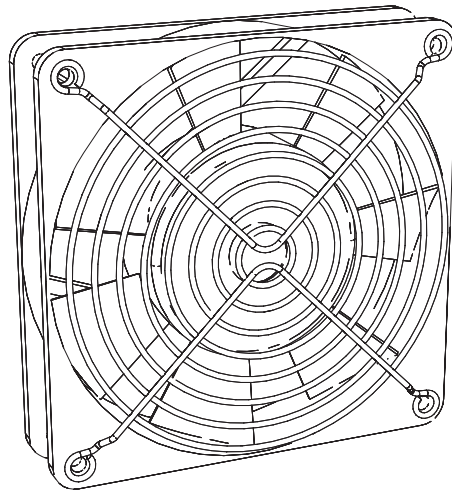


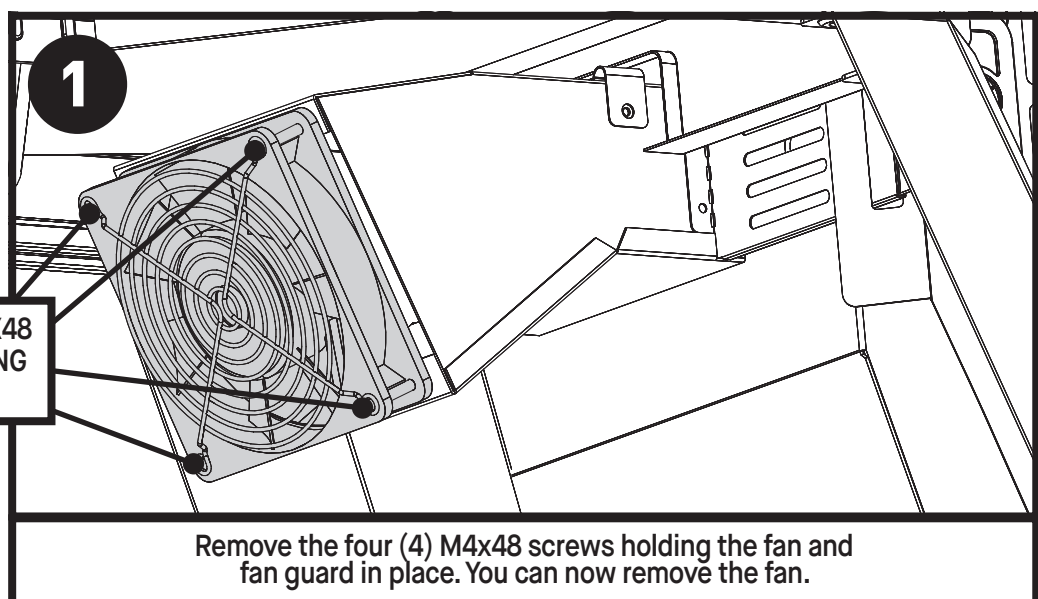
MASTERBUILT®

Fan Instruction Sheet

Gravity Fed Grill CGP24G1D, CGP28G1D, CGP30G1D



- Always remove plug from outlet before servicing your grill.
- Make sure your grill has fully cooled to avoid burns.
- Some components may have sharp edges. Use caution to avoid injury.



INSTALLATION:

- Place the fan and the fan guard onto the bottom hopper assembly as shown in (step 1).
- Insert and tighten the four (4) M4X48 screws provided to secure the fan and guard in place.