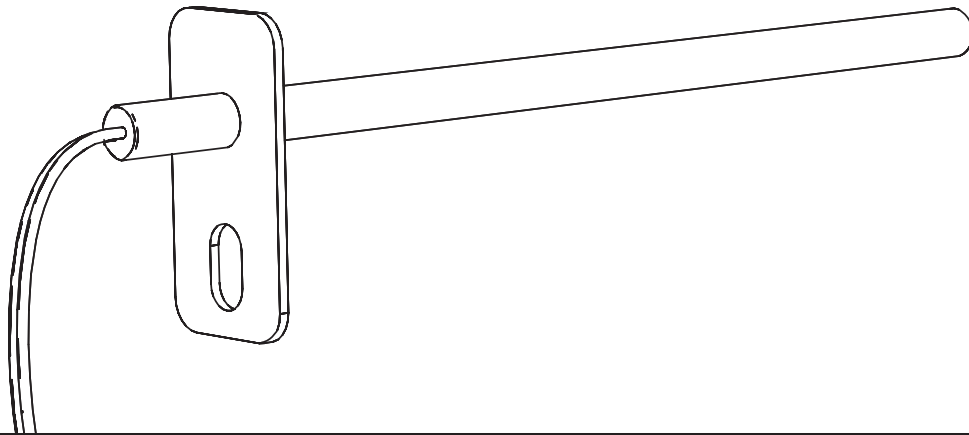


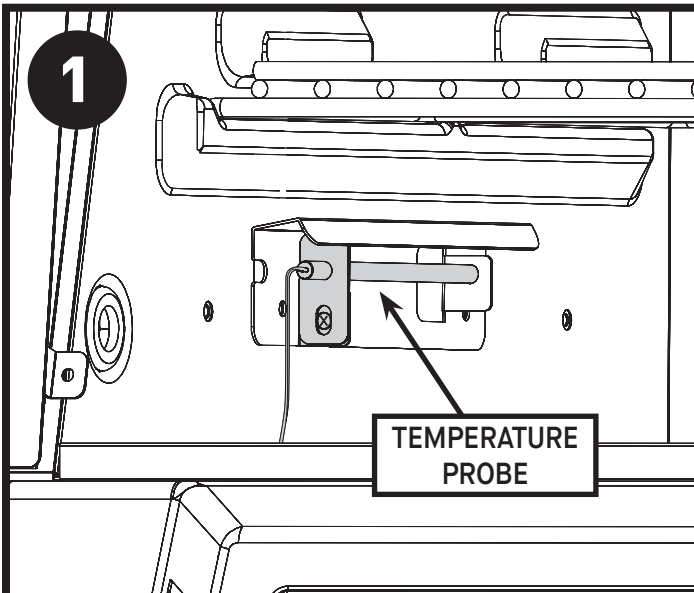
# MASTERBUILT®

## Temperature Probe Instruction Sheet

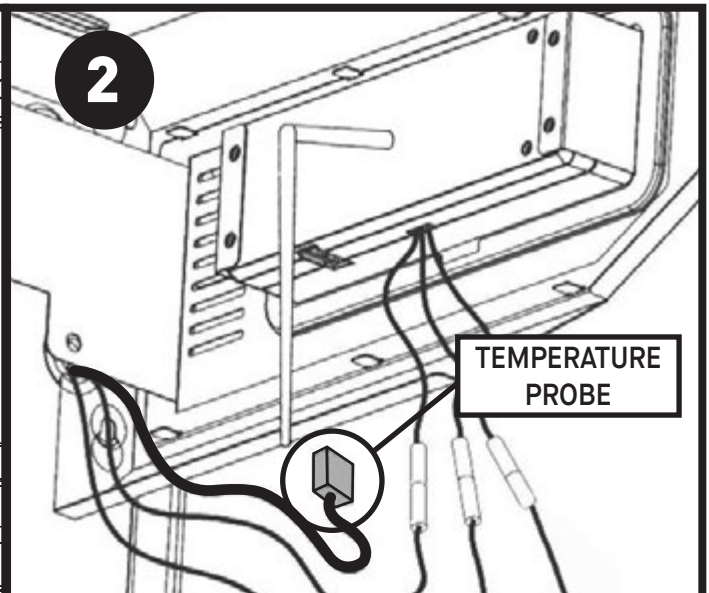
### Gravity Fed Grill CGP24G1D, CGP28G1D, CGP30G1D



- Always remove plug from outlet before servicing your grill.
- Make sure your grill has fully cooled to avoid burns.
- Some components may have sharp edges. Use caution to avoid injury.



Unscrew temperature probe from bracket.



Unplug temperature probe from controller and remove.

#### INSTALLATION:

- Re-Install the temperature probe on the bracket (see step 1).
- Thread the temperature probe replacement through the hole in side of the grill (see step 2).
- Plug the temperature probe into the back of the control panel.