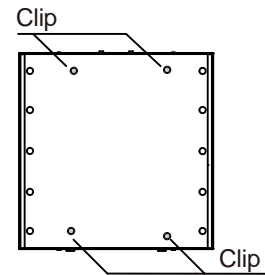
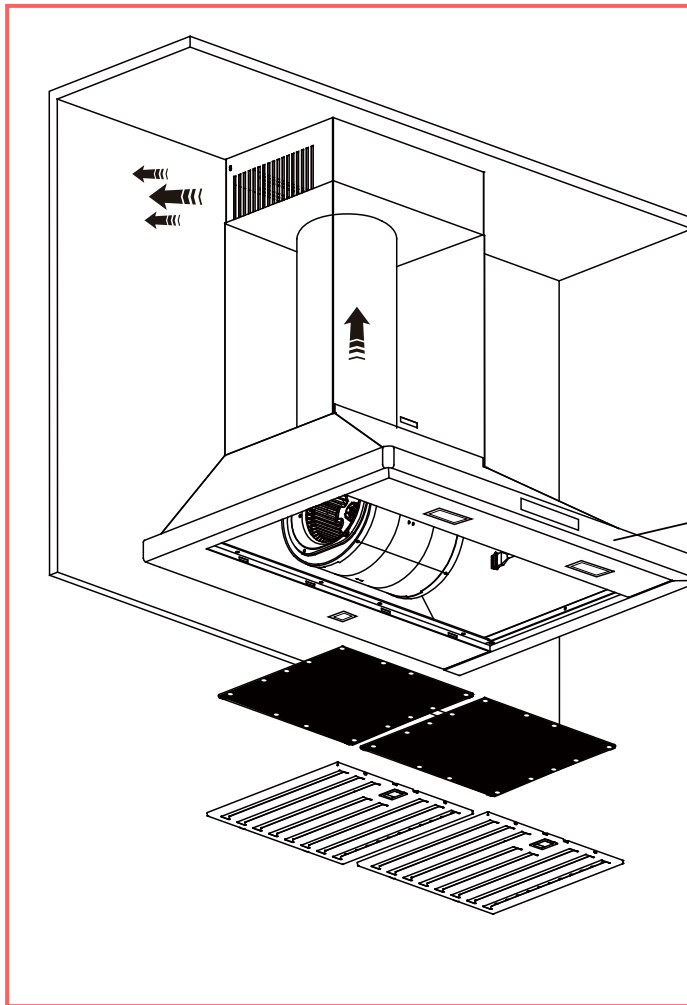


ZRC-03VE

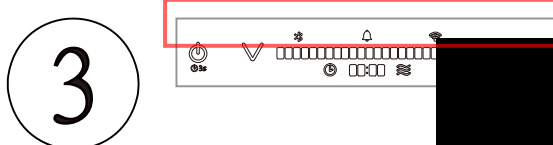
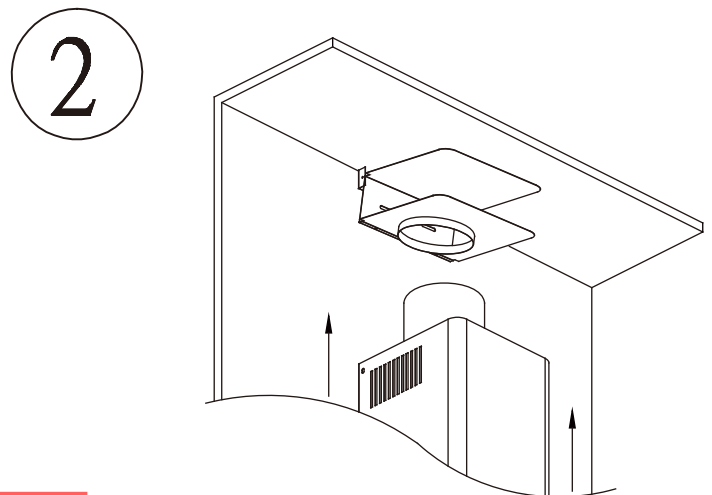
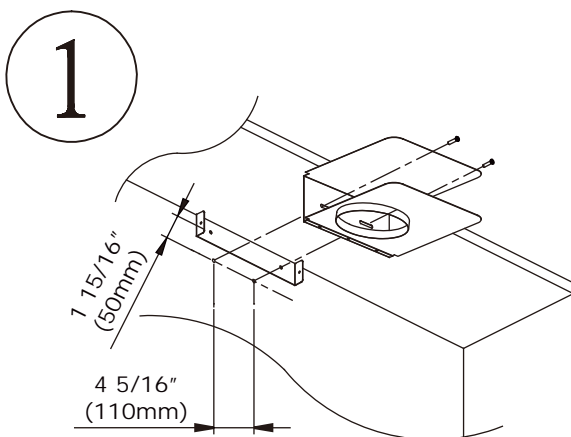
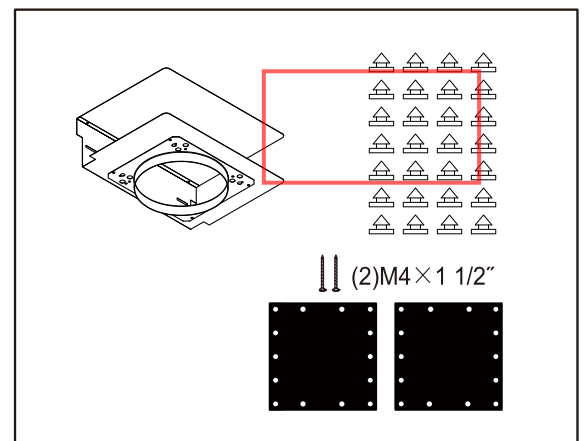
For use with: ZVE-E30DS / ZVE-E36DS / ZVE-E42DS



Place charcoal filters to back side of baffle filters. Secure charcoal filters in place by rubber clips. Depending on filter design secure top and bottom of charcoal filters by either rubber clips.

Remove all black foam from filter opening before installing the charcoal filter brackets.

INCLUDED MATERIAL



Follow instructions in hood manual to enable the "replace charcoal filter" indicator on the hood controls.