

Installation Instructions

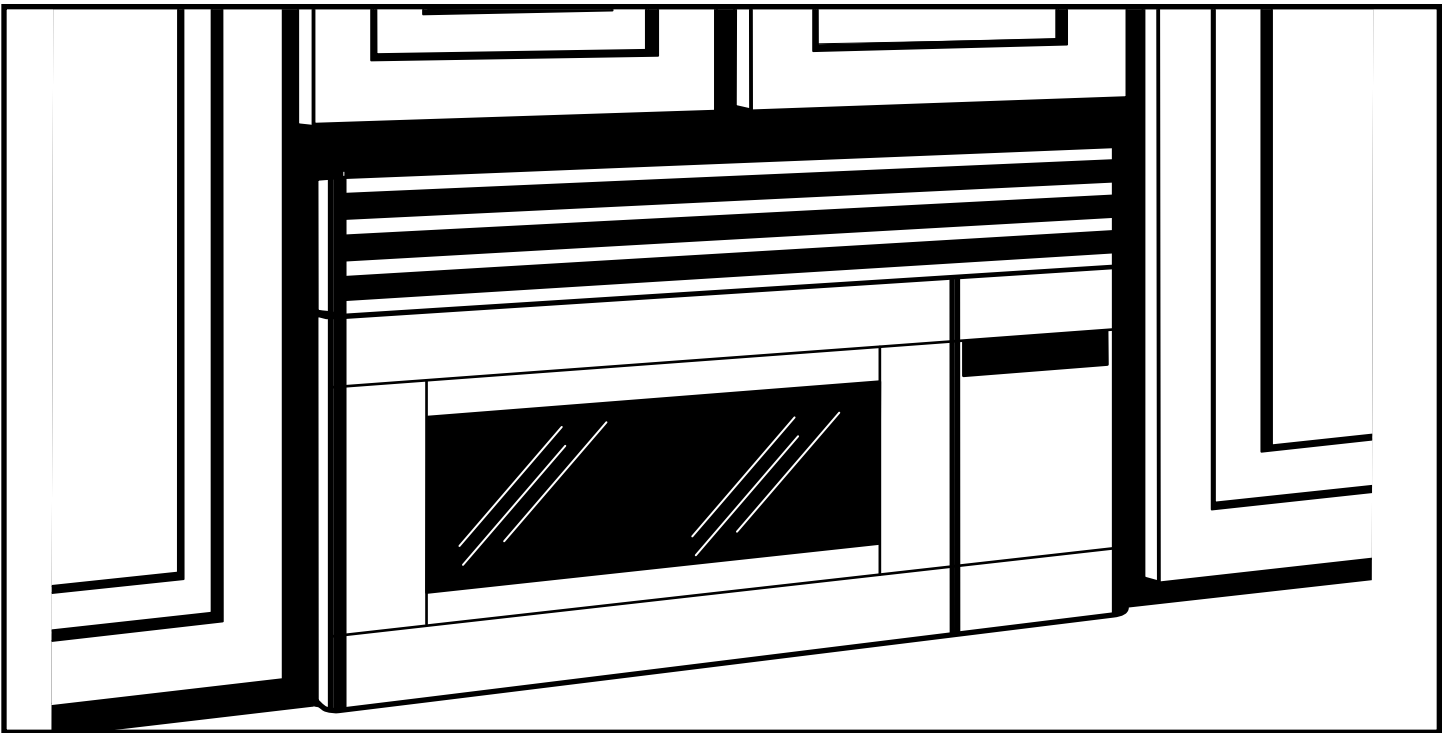
Over the Range Microwave Oven

Questions? Call 800.GE.CARES (800.432.2737) or Visit our Website at: Hotpoint.com

BEFORE YOU BEGIN

Read these instructions completely and carefully.

- **IMPORTANT** – Save these instructions for local inspector's use.
- **IMPORTANT** – Observe all governing codes and ordinances.
- **Note to Installer** – Be sure to leave these instructions with the Consumer.
- **Note to Consumer** – Keep these instructions for future reference.
- **Skill level** – Installation of this appliance requires basic mechanical and electrical skills.
- Proper installation is the responsibility of the installer.
- Product failure due to improper installation is not covered under the Warranty.



For a Spanish version of this manual, visit our Website at Hotpoint.com.

Para consultar una version en español de este manual de instrucciones, visite nuestro sitio de internet Hotpoint.com.

**READ CAREFULLY.
KEEP THESE INSTRUCTIONS.**

Installation Instructions

CONTENTS

General information

| | |
|-------------------------------------|------|
| Important Safety Instructions | 3 |
| Electrical Requirements | 3 |
| Hood Exhaust | 4, 5 |
| Damage—Shipment/Installation | 6 |
| Parts Included..... | 6 |
| Tools You Will Need | 7 |
| Mounting Space | 7 |

Step-by-step installation guide

| | |
|--|------|
| Placement of Mounting Plate | 8–10 |
| Removing the Mounting Plate | 8 |
| Finding the Wall Studs | 8 |
| Determining Wall Plate Location | 9 |
| Determining Rear Mounting Screw Locations .. | 10 |

Installation Types..... 11–22

| | |
|-------------------------------------|--------|
| A Outside Top Exhaust | 12–14 |
| Attach Mounting Plate to Wall | 12 |
| Preparation of Top Cabinet | 13 |
| Install the Damper | 13 |
| Mount the Microwave Oven | 13, 14 |
| Adjust the Exhaust Adaptor | 14 |
| Connecting Ductwork..... | 14 |

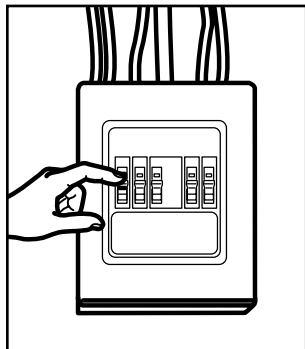
| | |
|--|--------|
| B Outside Back Exhaust..... | 15–18 |
| Preparing Rear Wall for Outside Back Exhaust..... | 15 |
| Remove Exhaust Adaptor | 15 |
| Attach Mounting Plate to Wall | 16 |
| Preparation of Top Cabinet | 16 |
| Adapting Microwave Blower for Outside Back Exhaust..... | 16, 17 |
| Mount the Microwave Oven | 18 |

| | |
|--|--------|
| C Recirculating | 19–22 |
| Attach Mounting Plate to Wall | 19 |
| Preparation of Top Cabinet | 19 |
| Adapting Microwave Blower for Recirculation | 20, 21 |
| Mount the Microwave Oven | 21, 22 |
| Installing the Charcoal Filter Accessory | 22 |
| Before You Use Your Microwave | 23 |

Installation Instructions

IMPORTANT SAFETY INSTRUCTIONS

This product requires a three-prong grounded outlet. The installer must perform a ground continuity check on the power outlet box before beginning the installation to insure that the outlet box is properly grounded. If not properly grounded, or if the outlet box does not meet electrical requirements noted (under ELECTRICAL REQUIREMENTS), a qualified electrician should be employed to correct any deficiencies.



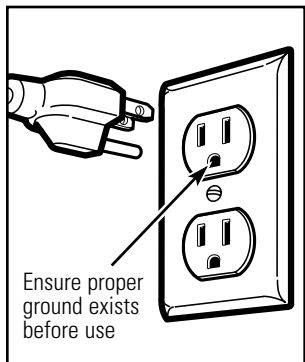
CAUTION: For personal safety, remove house fuse or open circuit breaker before beginning installation to avoid severe or fatal shock injury.

CAUTION: For personal safety, the mounting surface must be capable of supporting the cabinet load, in addition to the added weight of this 63–85 pound product, plus additional oven loads of up to 50 pounds or a total weight of 113–135 pounds.

CAUTION: For personal safety, this product cannot be installed in cabinet arrangements such as an island or a peninsula. It must be mounted to BOTH a top cabinet AND a wall.

NOTE: For easier installation and personal safety, it is recommended that two people install this product.

IMPORTANT – PLEASE READ CAREFULLY. FOR PERSONAL SAFETY, THIS APPLIANCE MUST BE PROPERLY GROUNDED TO AVOID SEVERE OR FATAL SHOCK.



Ensure proper ground exists before use

The power cord of this appliance is equipped with a three-prong (grounding) plug which mates with a standard three-prong (grounding) wall receptacle to minimize the possibility of electric shock hazard from this appliance.

You should have the wall receptacle and circuit checked by a qualified electrician to make sure the receptacle is properly grounded.

Where a standard two-prong wall receptacle is encountered, it is very important to have it replaced with a properly grounded three-prong wall receptacle, installed by a qualified electrician.

DO NOT, UNDER ANY CIRCUMSTANCES, CUT, DEFORM OR REMOVE ANY OF THE PRONGS FROM THE POWER CORD. DO NOT USE WITH AN EXTENSION CORD.

ELECTRICAL REQUIREMENTS

Product rating is 120 volts AC, 60 Hertz, 15 amps and 1.58 kilowatts. This product must be connected to a supply circuit of the proper voltage and frequency. Wire size must conform to the requirements of the National Electrical Code or the prevailing local code for this kilowatt rating. The power supply cord and plug should be brought to a separate 15- to 20-ampere branch circuit single grounded outlet. The outlet box should be located in the cabinet above the microwave oven. The outlet box and supply circuit should be installed by a qualified electrician and conform to the National Electrical Code or the prevailing local code.

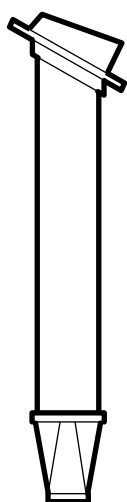
Installation Instructions

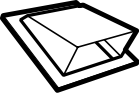


HOOD EXHAUST

NOTE: Read these next two pages only if you plan to vent your exhaust to the outside. If you plan to recirculate the air back into the room, proceed to page 6.

OUTSIDE TOP EXHAUST (EXAMPLE ONLY)

The following chart describes an example of one possible ductwork installation.



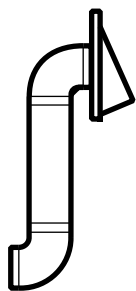
| DUCT PIECES | | EQUIVALENT LENGTH | x | NUMBER USED | = | EQUIVALENT LENGTH |
|---|--|-------------------|---|-------------|---|-------------------|
|  | Roof Cap | 24 Ft. | x | (1) | = | 24 Ft. |
|  | 12 Ft. Straight Duct (6" Round) | 12 Ft. | x | (1) | = | 12 Ft. |
|  | Rectangular-to-Round Transition Adaptor* | 5 Ft. | x | (1) | = | 5 Ft. |
| Total Length = | | | | | | 41 Ft. |

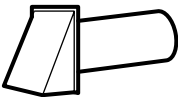


Equivalent lengths of duct pieces are based on actual tests and reflect requirements for good venting performance with any vent hood.

* **IMPORTANT:** If a rectangular-to-round transition adaptor is used, the bottom corners of the damper will have to be cut to fit, using the tin snips, in order to allow free movement of the damper.

OUTSIDE BACK EXHAUST (EXAMPLE ONLY)

The following chart describes an example of one possible ductwork installation.



| DUCT PIECES | | EQUIVALENT LENGTH* | x | NUMBER USED | = | EQUIVALENT LENGTH |
|---|--|--------------------|---|-------------|---|-------------------|
|  | Wall Cap | 40 Ft. | x | (1) | = | 40 Ft. |
|  | 3 Ft. Straight Duct (3/4" x 10" Rectangular) | 3 Ft. | x | (1) | = | 3 Ft. |
|  | 90° Elbow | 10 Ft. | x | (2) | = | 20 Ft. |
| Total Length = | | | | | | 63 Ft. |

Equivalent lengths of duct pieces are based on actual tests and reflect requirements for good venting performance with any vent hood.

NOTE: For back exhaust, care should be taken to align exhaust with space between studs, or wall should be prepared at the time it is constructed by leaving enough space between the wall studs to accommodate exhaust.

Installation Instructions

NOTE: If you need to install ducts, note that the total duct length of 3/4" x 10" rectangular or 6" diameter round duct **should not exceed 140 equivalent feet.** Outside ventilation requires a HOOD EXHAUST DUCT. Read the following carefully.

NOTE: It is important that venting be installed using the most direct route and with as few elbows as possible. This ensures clear venting of exhaust and helps prevent blockages. **Also, make sure dampers swing freely and nothing is blocking the ducts.**

Exhaust connection:





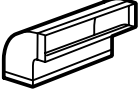
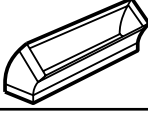
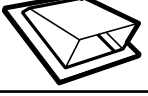

The hood exhaust has been designed to mate with a standard 3/4" x 10" rectangular duct.

If a round duct is required, a rectangular-to-round transition adaptor must be used. **Do not use less than a 6" diameter duct.**

Maximum duct length:

For satisfactory air movement, the total duct length of 3/4" x 10" rectangular or 6" diameter round duct **should not exceed 140 equivalent feet.**

Elbows, transitions, wall and roof caps, etc., present additional resistance to airflow and are equivalent to a section of straight duct which is longer than their actual physical size. When calculating the total duct length, add the equivalent lengths of all transitions and adaptors plus the length of all straight duct sections. The chart below shows you how to calculate total equivalent ductwork length using the approximate feet of equivalent length of some typical ducts.

| DUCT PIECES | EQUIVALENT LENGTH | x | NUMBER USED | = | EQUIVALENT LENGTH |
|--|-------------------|---|-------------|----------|-------------------|
|  Rectangular-to-Round Transition Adaptor* | 5 Ft. | x | () | = | Ft. |
|  Wall Cap | 40 Ft. | x | () | = | Ft. |
|  90° Elbow | 10 Ft. | x | () | = | Ft. |
|  45° Elbow | 5 Ft. | x | () | = | Ft. |
|  90° Elbow | 25 Ft. | x | () | = | Ft. |
|  45° Elbow | 5 Ft. | x | () | = | Ft. |
|  Roof Cap | 24 Ft. | x | () | = | Ft. |
|  Straight Duct 6" Round or 3/4" x 10" Rectangular | 1 Ft. | x | () | = | Ft. |
| Total Ductwork | | | | = | Ft. |



*** IMPORTANT:** If a rectangular-to-round transition adaptor is used, the bottom corners of the damper will have to be cut to fit, using the tin snips, in order to allow free movement of the damper.

Equivalent lengths of duct pieces are based on actual tests and reflect requirements for good venting performance with any vent hood.


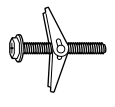


Installation Instructions

DAMAGE—SHIPMENT/ INSTALLATION

- If the unit is damaged in shipment, return the unit to the store in which it was bought for repair or replacement.
- If the unit is damaged by the customer, repair or replacement is the responsibility of the customer.
- If the unit is damaged by the installer (if other than the customer), repair or replacement must be made by arrangement between customer and installer.

PARTS INCLUDED

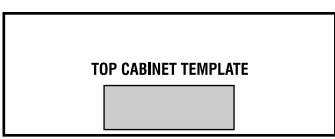
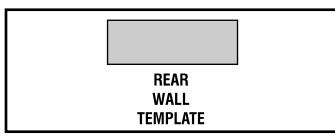
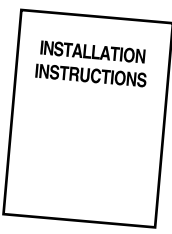
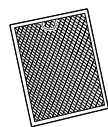
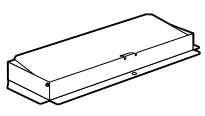
HARDWARE PACKET

| PART | | QUANTITY |
|--|--|----------|
|  | Wood Screws ($\frac{1}{4}$ " x 2") | 1 |
|  | Toggle Bolts (and wing nuts) ($\frac{3}{16}$ " x 3") | 3 |
|  | Self-Aligning Machine Screws ($\frac{1}{4}$ "-28 x $3\frac{1}{4}$ ") | 3 |
|  | Nylon Grommet (for metal cabinets) | 2 |

You will find the installation hardware contained in a packet with the unit. Check to make sure you have all these parts.

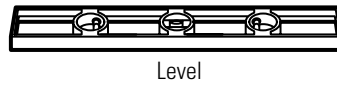
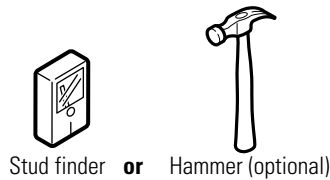
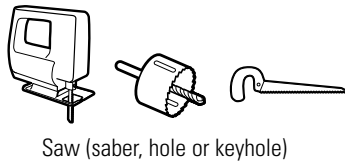
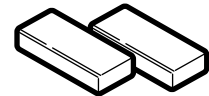
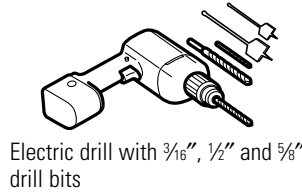
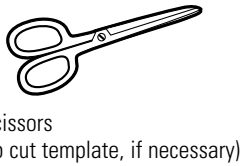
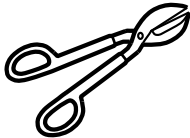
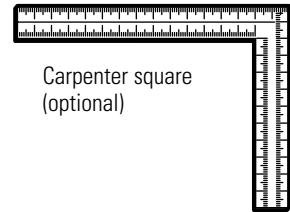
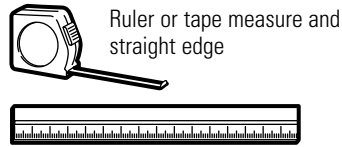
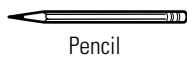
NOTE: Some extra parts are included.

ADDITIONAL PARTS

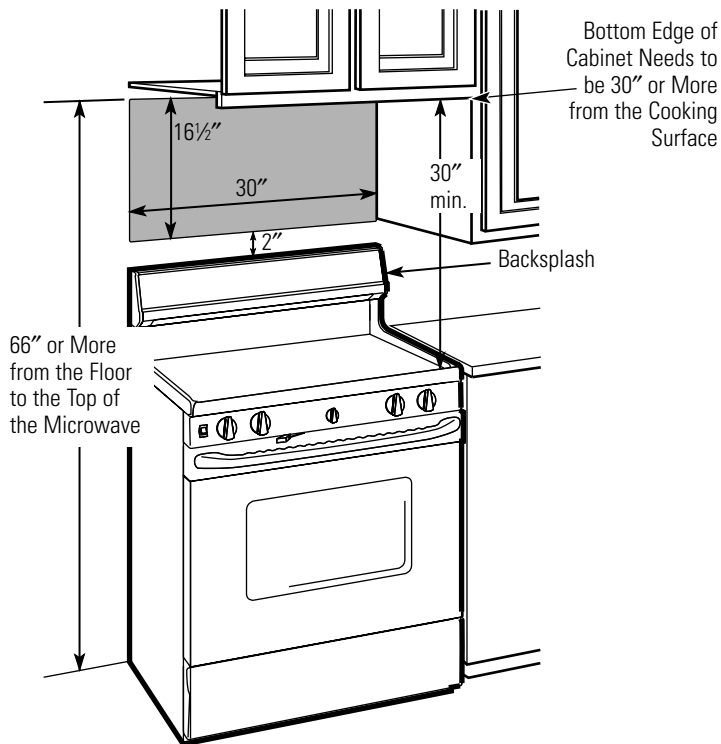
| PART | | QUANTITY |
|--|--|----------|
|  | Top Cabinet Template | 1 |
|  | Rear Wall Template | 1 |
|  | Installation Instructions | 1 |
|  | Separately Packed Grease Filter | 1 |
|  | Separately Packed Exhaust Adaptor | 1 |

Installation Instructions

TOOLS YOU WILL NEED



MOUNTING SPACE



NOTES:

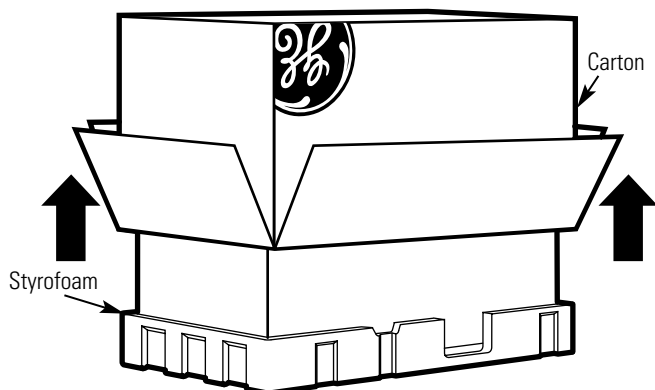
- The space between the cabinets must be 30" wide and free of obstructions.
- If the space between the cabinets is greater than 30", a Filler Panel Kit may be used to fill in the gap between the microwave oven and the cabinets. Your Owner's Manual contains the kit number for your model.
- This microwave oven is for installation over ranges up to 36" wide.
- **When installing the microwave oven beneath smooth, flat cabinets, be careful to follow the instructions on the top cabinet template for power cord clearance.**

Installation Instructions

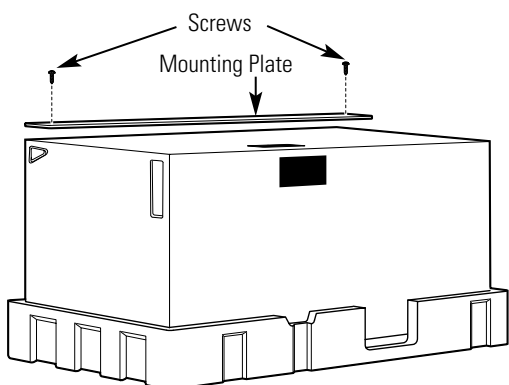
1 PLACEMENT OF THE MOUNTING PLATE

A. REMOVING THE MICROWAVE OVEN FROM THE CARTON/ REMOVING THE MOUNTING PLATE

- 1 Remove the installation instructions, filter, glass tray, the exhaust adaptor and the small hardware bag. Do not remove the Styrofoam protecting the front of the oven.
- 2 Fold back all 4 carton flaps fully against carton sides. Then carefully roll the oven and carton over onto the top side. The oven should be resting in the Styrofoam.

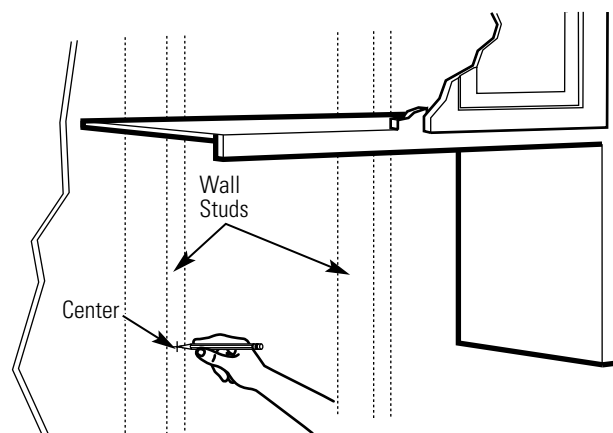


- 3 Pull the carton up and off the oven.
- 4 Remove and properly discard plastic bags.



- 5 Remove the 2 screws from the bottom mounting plate. Remove the mounting plate and set aside. This plate will be used with the rear wall template for mounting. **REPLACE THE SCREWS.**

B. FINDING THE WALL STUDS



- 1 Find the studs, using one of the following methods:
 - A. Stud finder—a magnetic device that locates nails.

OR

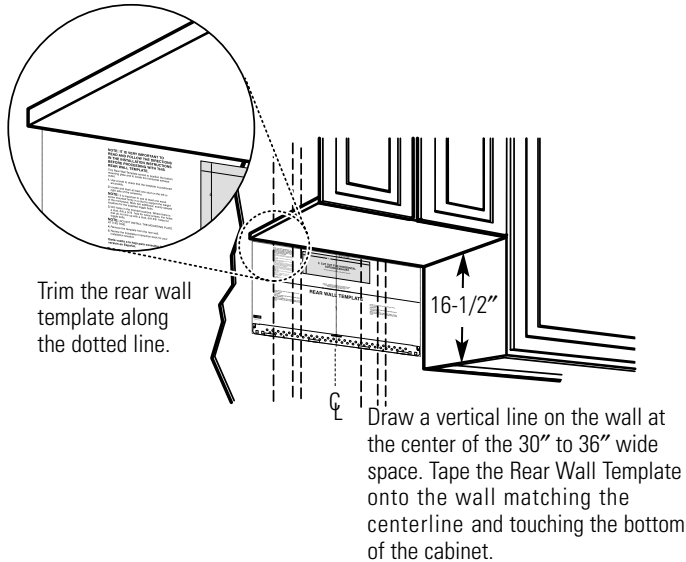
 - B. Use a hammer to tap lightly across the mounting surface to find a solid sound. This will indicate a stud location.
- 2 After locating the stud(s), find the center by probing the wall with a small nail to find the edges of the stud. Then place a mark halfway between the edges. The center of any adjacent studs should be 16" or 24" from this mark.
- 3 Draw a line down the center of the studs.

THE MICROWAVE MUST BE CONNECTED TO AT LEAST ONE WALL STUD.

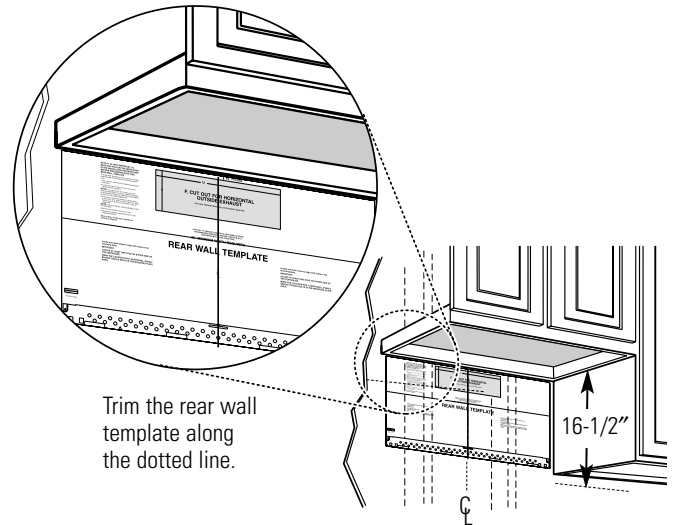
Installation Instructions

C. DETERMINING WALL PLATE LOCATION UNDER YOUR CABINET

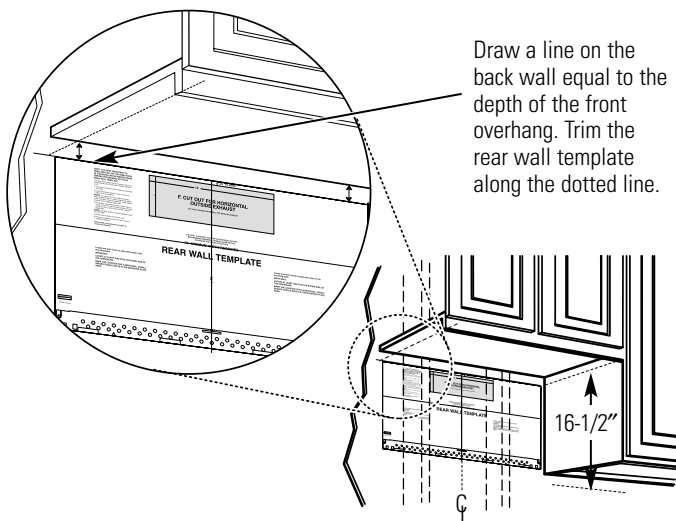
Template beneath cabinet with flat bottom



Template beneath cabinet with recessed bottom



Template aligned with front overhang on cabinet bottom



THE MICROWAVE MUST BE LEVEL.

Use a level to make sure the cabinet bottom is level.

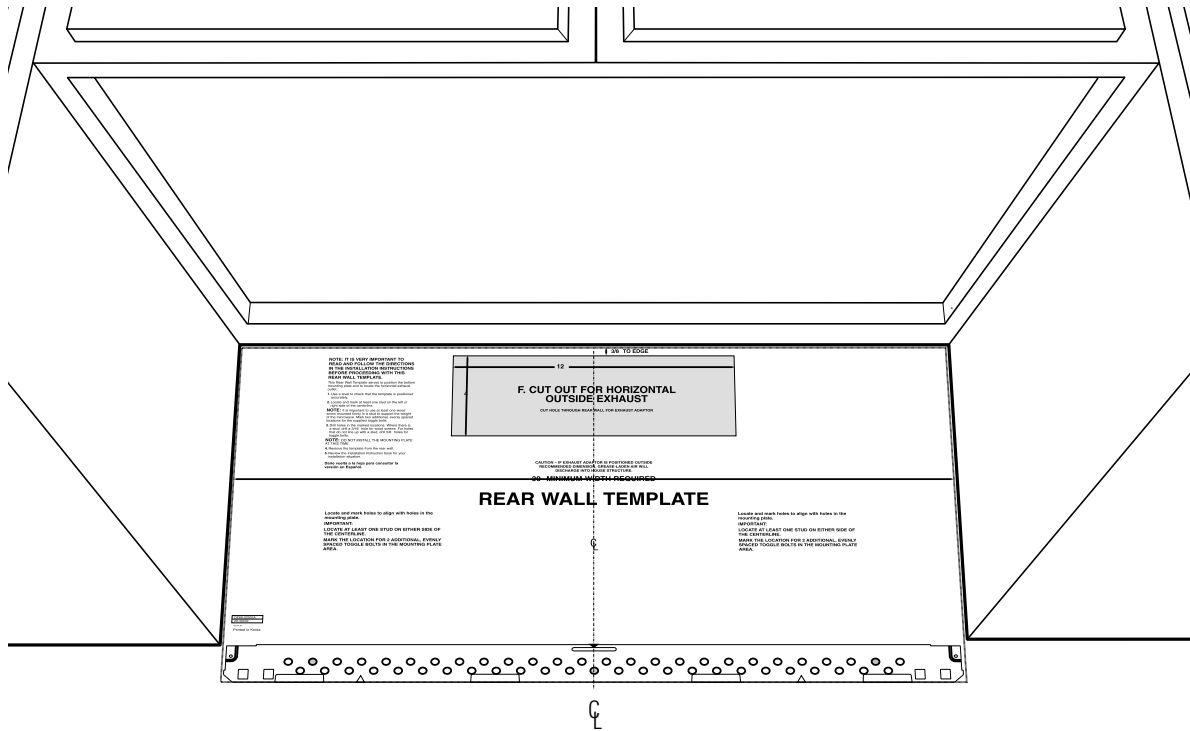
Your cabinets may have decorative trim that interferes with the microwave installation. Remove the decorative trim to install the microwave properly and to make it level.

On cabinets with a front overhang, draw a line on the back wall at the same depth as the overhang. Align the template to match overhang depth. This will keep the microwave level.

- 1 Measure the inside depth of the front overhang.
- 2 Draw a horizontal line on the back wall to match the depth of the front overhang. See illustration.
- 3 Draw a vertical line on the wall at the center of the 30" to 36" space. Trim the template on the dotted line. Tape the Rear Wall Template to the wall using the marked centerline and top line as a guide.

Installation Instructions

D. DETERMINING REAR MOUNTING SCREW LOCATIONS



CAUTION: Wear gloves to avoid cutting fingers on sharp edges.

NOTE: The Rear Wall Template serves to position the bottom mounting plate and to locate the horizontal exhaust outlet.

- 1 Use a level to check that the template is positioned accurately.
- 2 Locate and mark at least one stud on the left or right side of the centerline. It is important to use **at least one wood screw** mounted **firmly in a stud** to support the weight of the microwave.
Mark three additional, evenly spaced locations for the supplied toggle bolts.

- 3 Drill holes in the marked locations. If there is a stud, drill a $\frac{3}{16}$ " hole for wood screws. For holes that don't line up with a stud, drill a $\frac{5}{8}$ " hole for toggle bolts.
NOTE: DO NOT MOUNT THE PLATE AT THIS TIME.

Installation Instructions

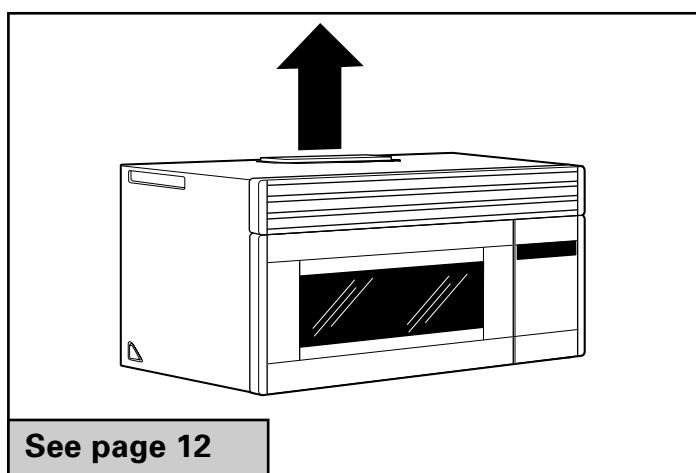
2 INSTALLATION TYPES (Choose A, B or C)

This microwave oven is designed for adaptation to the following three types of ventilation:

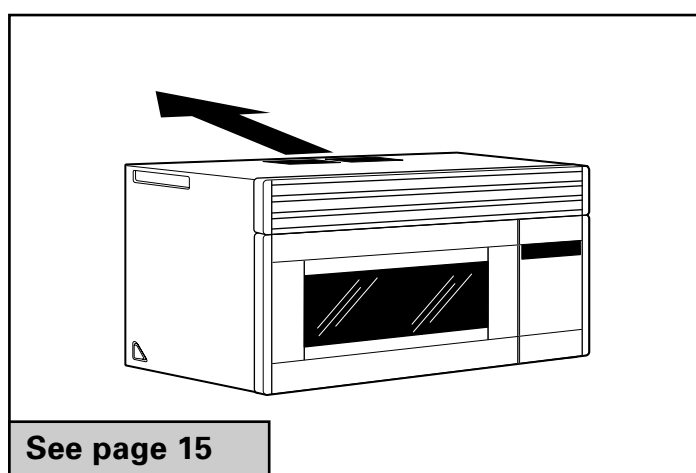
- A. Outside Top Exhaust (Vertical Duct)
- B. Outside Back Exhaust (Horizontal Duct)
- C. Recirculating (Non-Vented Ductless)

NOTE: This microwave is shipped assembled for Outside Top Exhaust (except for non-vented models). Select the type of ventilation required for your installation and proceed to that section.

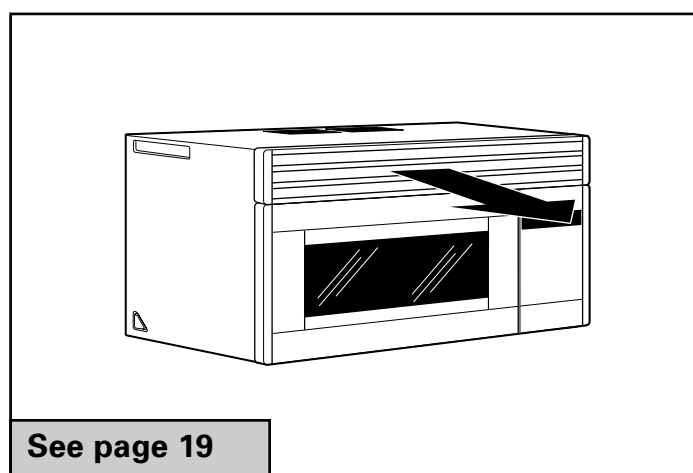
A OUTSIDE TOP EXHAUST (VERTICAL DUCT)



B OUTSIDE BACK EXHAUST (HORIZONTAL DUCT)



C RECIRCULATING (NON-VENTED DUCTLESS)



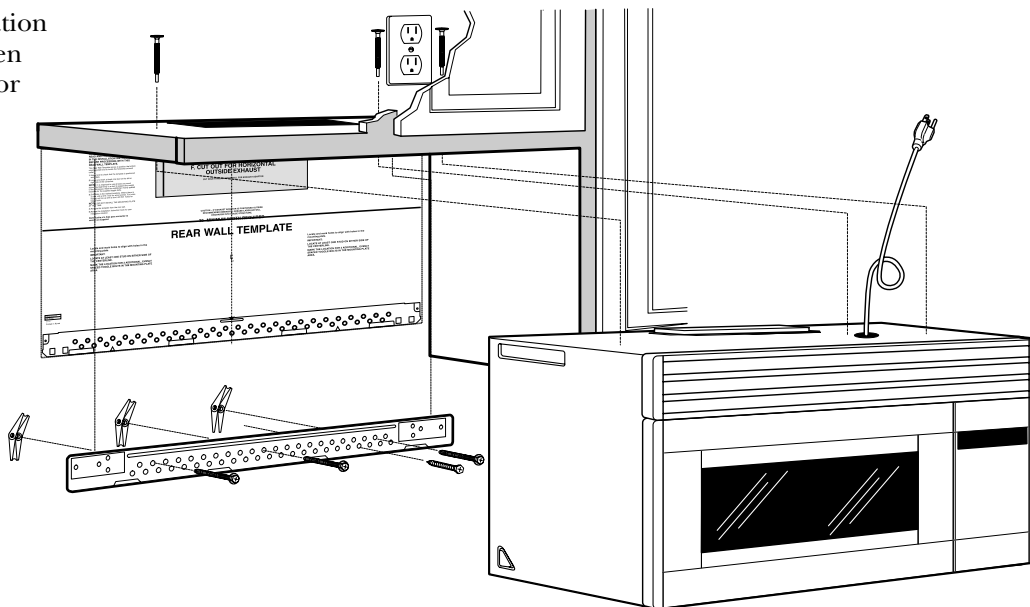
A Charcoal Filter Accessory Kit is required for the non-vented exhaust. (See your Owner's Manual for the kit number.)

Installation Instructions

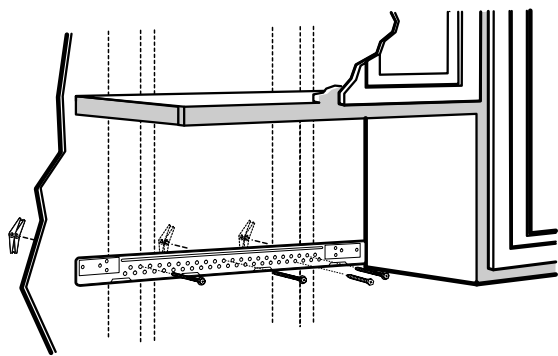
A OUTSIDE TOP EXHAUST (Vertical Duct)

INSTALLATION OVERVIEW

- A1. Attach Mounting Plate to Wall
- A2. Prepare Top Cabinet
- A3. Check Damper Operation
- A4. Mount Microwave Oven
- A5. Adjust Exhaust Adaptor
- A6. Connect Ductwork



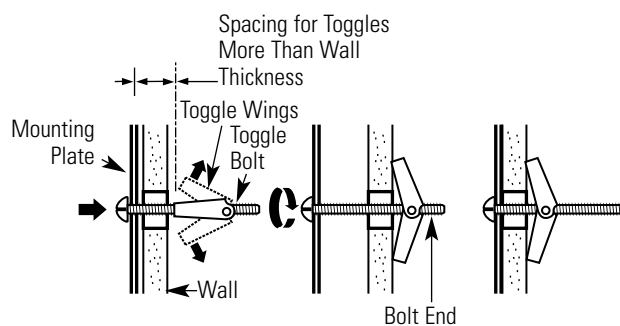
A1. ATTACH THE MOUNTING PLATE TO THE WALL



Remove the template from the rear wall. The mounting plate must be secured to the wall using at least 3 toggle bolts and one wood screw. The wood screw must engage a wall stud.

- 1 Remove the toggle wings from the bolts.
- 2 Insert the bolts into the mounting plate through the holes designated to go into drywall and reattach the toggle wings to $\frac{3}{4}$ " onto each bolt.

To use toggle bolts:



- 3 Place the mounting plate against the wall and insert the toggle wings into the holes in the wall to mount the plate.

NOTE: Before tightening the toggle bolts and the wood screw(s), check again to be sure that the mounting plate is level and centered left to right.

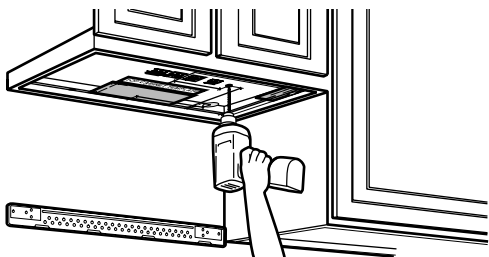
CAUTION: Be careful to avoid pinching fingers between the back of the mounting plate and the wall.

- 4 Tighten all bolts. Pull the plate away from the wall to help tighten the bolts. Be careful not to over-torque the toggle bolts.

Installation Instructions

A2. USE TOP CABINET TEMPLATE FOR PREPARATION OF TOP CABINET

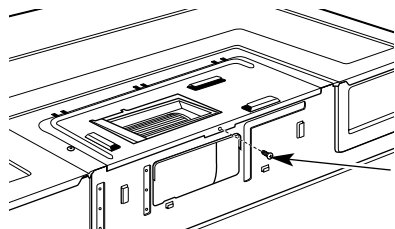
The top cabinet template will help you locate the top support screw holes, power cord and exhaust outlet locations.



- Read the instructions on the TOP CABINET TEMPLATE.
- Tape it underneath the top cabinet.
- Drill the holes, following the instructions on the TOP CABINET TEMPLATE.

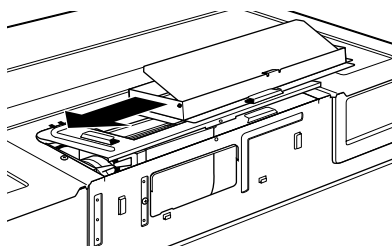
CAUTION: Wear safety goggles when drilling holes in the cabinet bottom.

A3. INSTALL THE DAMPER



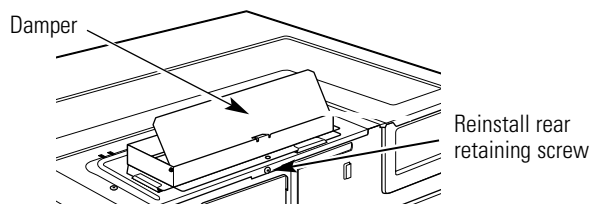
Remove rear retaining screw

- Place the microwave in its upright position.
- Remove the retaining screw at the rear of the motor door.



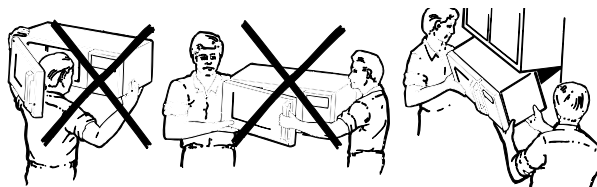
- Lift the blower motor door.
- Slide the exhaust adaptor toward the left side and into the opening.
- The adaptor should be oriented as shown.

A3. INSTALL THE DAMPER (cont.)



- Close the blower cover with adaptor and reinstall rear screw.
- Remove tape holding the damper. The damper should pivot easily.
- The adaptor can be adjusted, left to right and front to back, to align with the house exhaust ductwork.

A4. MOUNT THE MICROWAVE OVEN



FOR EASIER INSTALLATION AND PERSONAL SAFETY, WE RECOMMEND THAT **TWO PEOPLE** INSTALL THIS MICROWAVE OVEN.

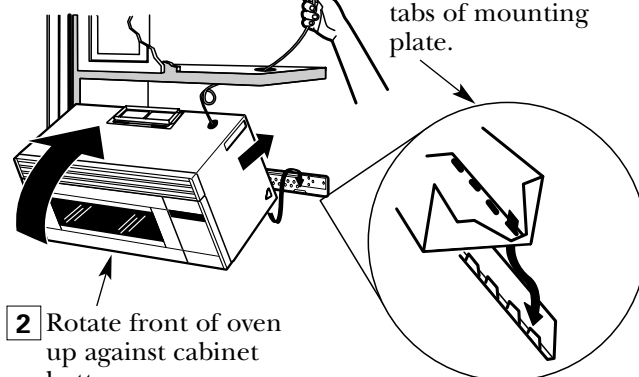
NOTE: If your cabinet is metal, use the nylon grommet around the power cord hole to prevent cutting of the cord.

NOTE: We recommend using filler blocks if the cabinet front hangs below the cabinet bottom shelf.

IMPORTANT: If filler blocks are not used, case damage may occur from overtightening screws.

NOTE: When mounting the microwave oven, thread power cord through hole in bottom of top cabinet. Keep it tight throughout Steps 1-3. Do not pinch cord or lift oven by pulling cord.

1 Lift microwave, tilt it forward and hook slots at back bottom edge onto four lower tabs of mounting plate.

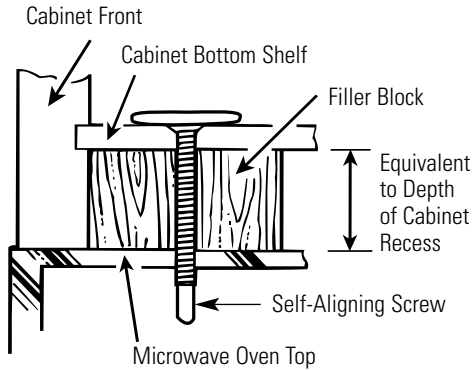


2 Rotate front of oven up against cabinet bottom.

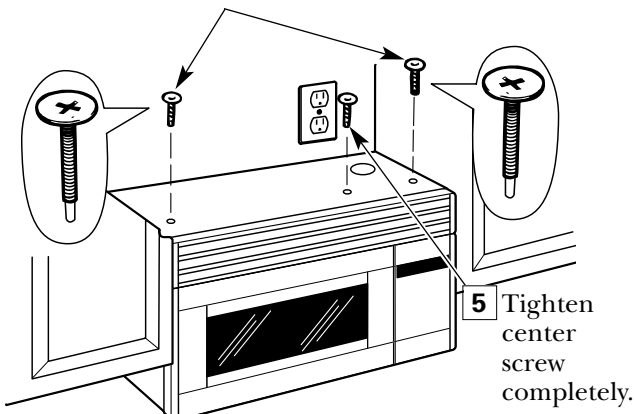
Installation Instructions

A4. MOUNT THE MICROWAVE OVEN (cont.)

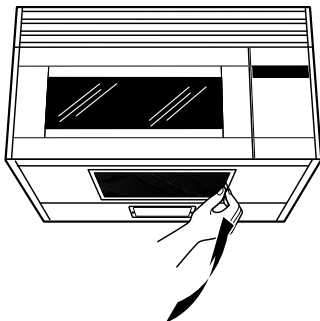
- 3** Insert a self-aligning screw through top center cabinet hole. Temporarily secure the oven by turning the screw at least **two full turns** after the threads have engaged. (It will be completely tightened later.) **Be sure to keep power cord tight. Be careful not to pinch the cord, especially when mounting flush to bottom of cabinet.**



- 4** Insert 2 self-aligning screws through outer top cabinet holes. Turn two full turns on each screw.



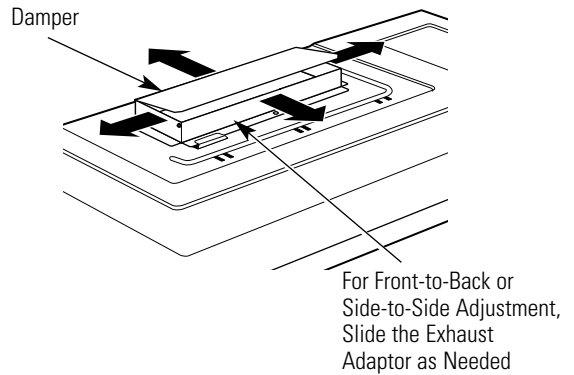
- 6** Tighten the outer two screws to the top of the microwave oven. (While tightening screws, hold the microwave oven in place against the wall and the top cabinet.)



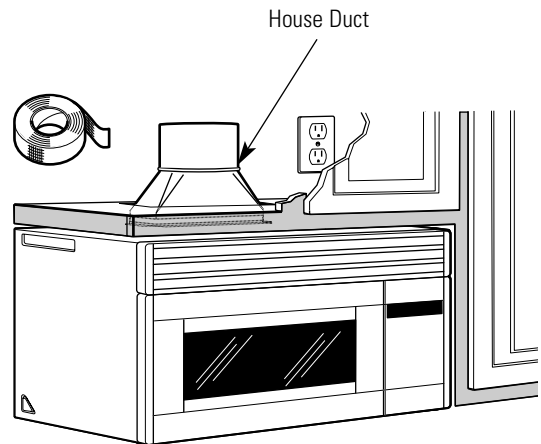
- 7** Install grease filter. See the Owner's Manual packed with the microwave.

A5. ADJUST THE EXHAUST ADAPTOR

Open the top cabinet and adjust the exhaust adaptor to connect to the house duct.



A6. CONNECTING DUCTWORK



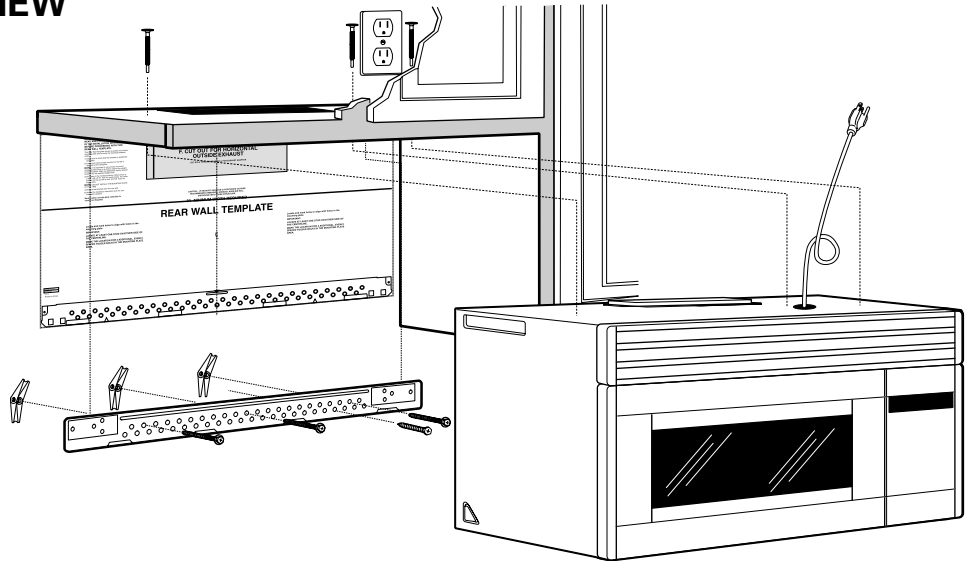
- 1** Extend the house duct down to connect to the exhaust adaptor.
- 2** Seal exhaust duct joints using duct tape.

Installation Instructions

B OUTSIDE BACK EXHAUST (Horizontal Duct)

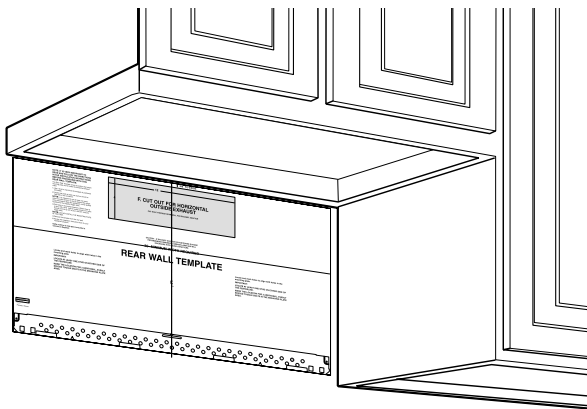
INSTALLATION OVERVIEW

- B1.** Prepare Rear Wall
- B2.** Remove Exhaust Adaptor
- B3.** Attach Mounting Plate to Wall
- B4.** Prepare Top Cabinet
- B5.** Adapt Blower for Back Exhaust
- B6.** Mount the Microwave Oven



B1. PREPARING THE REAR WALL FOR OUTSIDE BACK EXHAUST

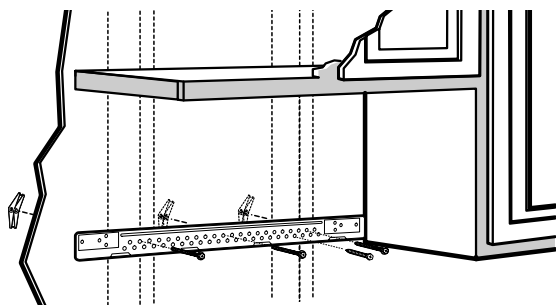
The rear wall template should be positioned accurately as shown on page 9.



- Read the instructions on the REAR WALL TEMPLATE.
- Cut the opening, following the instructions of the REAR WALL TEMPLATE.

Installation Instructions

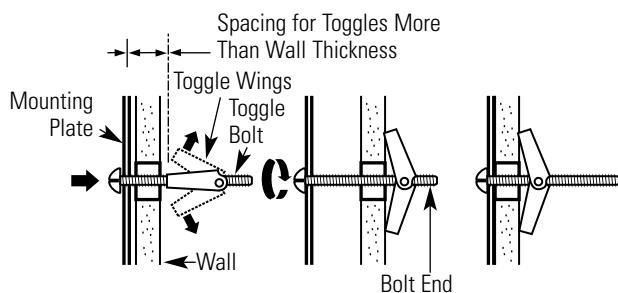
B2. ATTACH THE MOUNTING PLATE TO THE WALL



Remove the template from the rear wall. The mounting plate must be secured to the wall using at least 3 toggle bolts and one wood screw. The wood screw must engage a wall stud.

- 1 Remove the toggle wings from the bolts.
- 2 Insert the bolts into the mounting plate through the holes designated to go into drywall and reattach the toggle wings to $\frac{3}{4}$ " onto each bolt.

To use toggle bolts:



- 3 Place the mounting plate against the wall and insert the toggle wings into the holes in the wall to mount the plate.

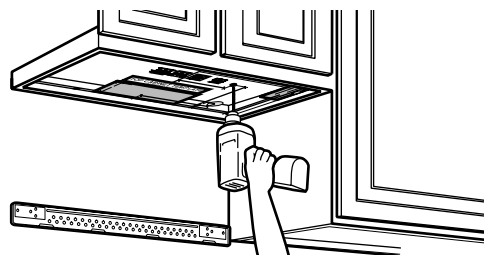
NOTE: Before tightening the toggle bolts and the wood screw(s), check again to be sure that the mounting plate is level and centered left to right.

CAUTION: Be careful to avoid pinching fingers between the back of the mounting plate and the wall.

- 4 Tighten all bolts. Pull the plate away from the wall to help tighten the bolts. Be careful not to over-torque the toggle bolts.

B3. USE TOP CABINET TEMPLATE FOR PREPARATION OF TOP CABINET

The top cabinet template will help you locate the top support screw holes and power cord cutout.

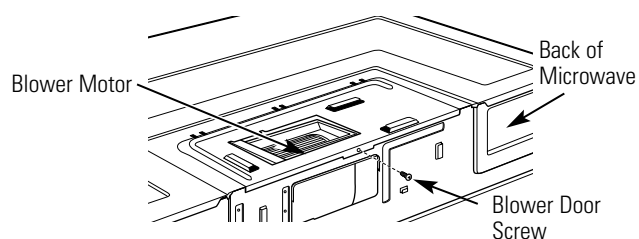


- Read the instructions on the TOP CABINET TEMPLATE.
- Tape it underneath the top cabinet.
- Drill the holes, following the instructions on the TOP CABINET TEMPLATE.

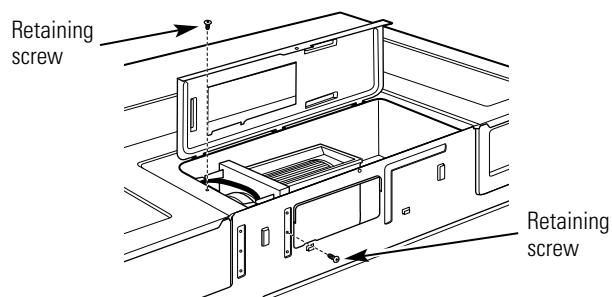
CAUTION: Wear safety goggles when drilling holes in the cabinet bottom.

B4. ADAPTING MICROWAVE BLOWER FOR OUTSIDE BACK EXHAUST

- 1 Remove the back top center blower motor door retaining screw.



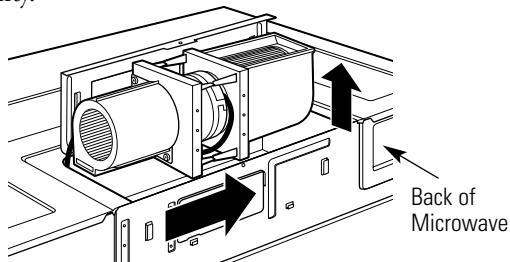
- 2 Open the blower door by lifting it up at the back side of the microwave. Remove and save the top and back retaining screws that hold the blower motor in the microwave.



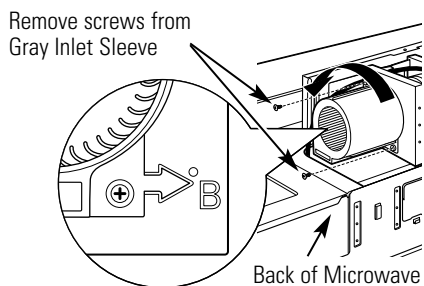
Installation Instructions

B4. ADAPTING MICROWAVE BLOWER FOR OUTSIDE BACK EXHAUST (cont.)

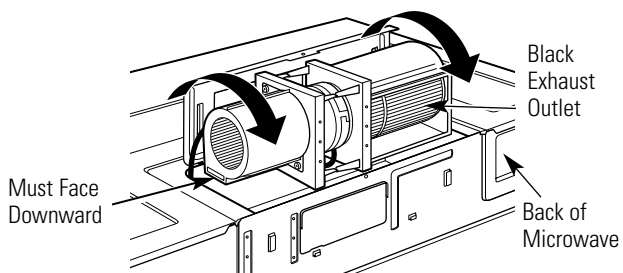
- 3** Carefully slide the blower motor toward the right, and lift it partially out of the opening. **Note:** The blower wires are long enough to allow flexible handling while performing these steps. Disconnect the wires only if it is necessary for additional flexibility.



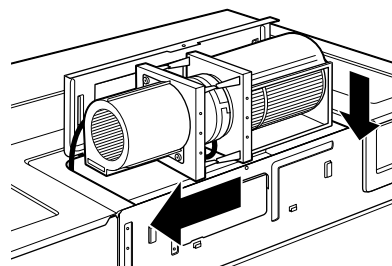
- 4** Remove the two screws holding the gray-colored inlet sleeve to the blower unit. Rotate the gray sleeve as shown until the gray arrow lines up with the "B", back exhaust. Reinstall the two screws.



- 5** Roll the assembled blower unit so that the black-colored exhaust outlet faces the back of the microwave and the gray-colored inlet sleeve faces downward. **NOTE:** The gray-colored sleeve opening must ALWAYS face downward to ensure proper operation of the microwave.

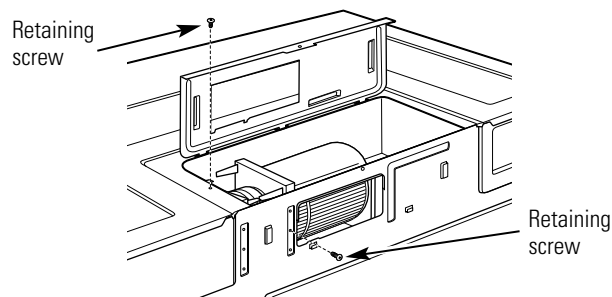


- 6** Tilt and place the blower unit back into the opening in the top of the microwave.



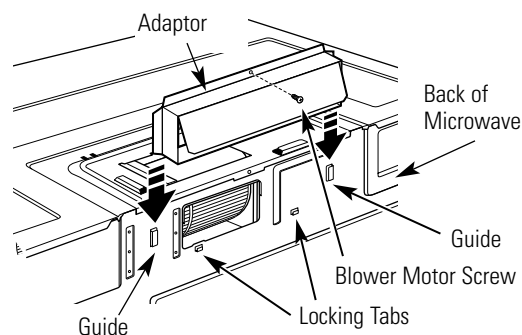
CAUTION: Do not pull or stretch the blower unit wiring. Make sure the wires are not pinched.

- 7** Secure the blower unit to the microwave with the two screws removed in Step 2.



- 8** Close the blower cover.

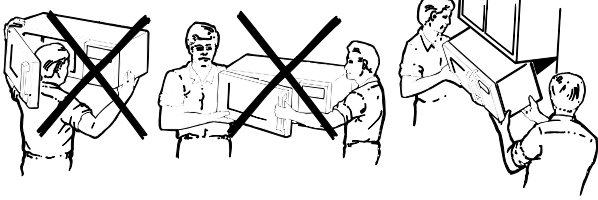
- 9** Attach the exhaust adaptor to the rear of the microwave by sliding it into the guides at the top center of the back of the oven.



Push in securely until it is in the lower locking tabs. Take care to assure that the damper hinge is installed so that it is at the top and that the damper swings freely. Reinstall the original blower motor screw through the adaptor and into the back of the microwave.

Installation Instructions

B6. MOUNT THE MICROWAVE OVEN



FOR EASIER INSTALLATION AND PERSONAL SAFETY, WE RECOMMEND THAT **TWO PEOPLE** INSTALL THIS MICROWAVE OVEN.

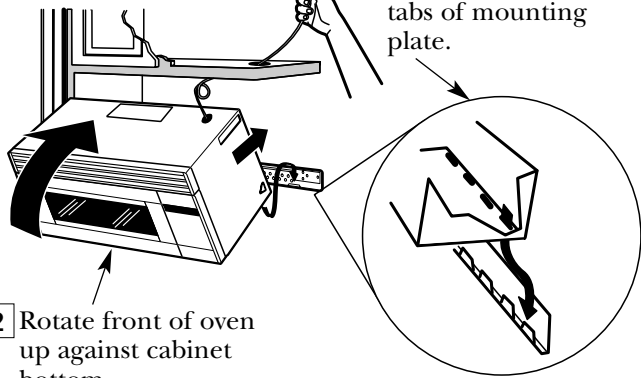
NOTE: If your cabinet is metal, use the nylon grommet around the power cord hole to prevent cutting of the cord.

NOTE: We recommend using filler blocks if the cabinet front hangs below the cabinet bottom shelf.

IMPORTANT: If filler blocks are not used, case damage may occur from overtightening screws.

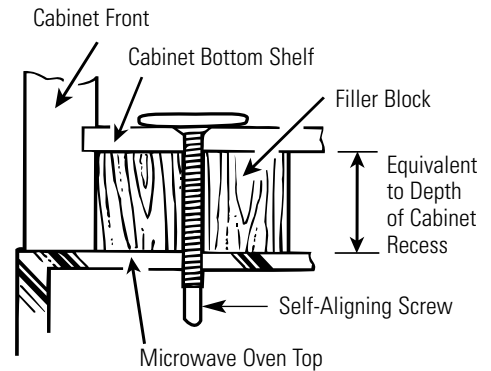
NOTE: When mounting the microwave oven, thread power cord through hole in bottom of top cabinet. Keep it tight throughout Steps 1-3. Do not pinch cord or lift oven by pulling cord.

1 Lift microwave, tilt it forward and hook slots at back bottom edge onto four lower tabs of mounting plate.

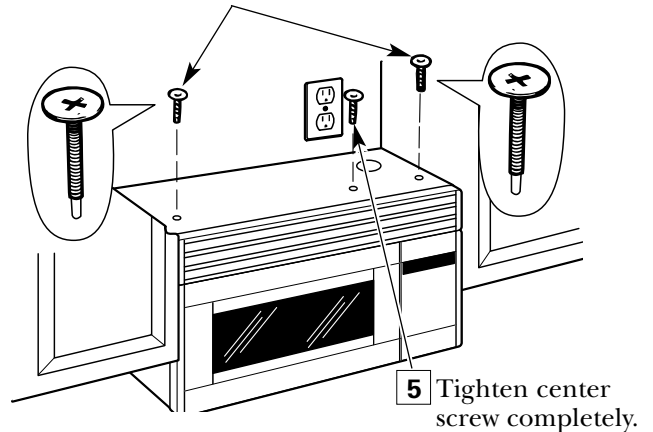


2 Rotate front of oven up against cabinet bottom.

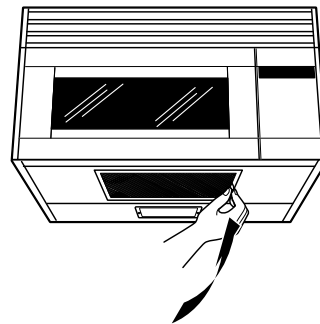
3 Insert a self-aligning screw through top center cabinet hole. Temporarily secure the oven by turning the screw at least **two full turns** after the threads have engaged. (It will be completely tightened later.) **Be sure to keep power cord tight. Be careful not to pinch the cord, especially when mounting flush to bottom of cabinet.**



4 Insert 2 self-aligning screws through outer top cabinet holes. Turn two full turns on each screw.



6 Tighten the outer two screws to the top of the microwave oven. (While tightening screws, hold the microwave oven in place against the wall and the top cabinet.)



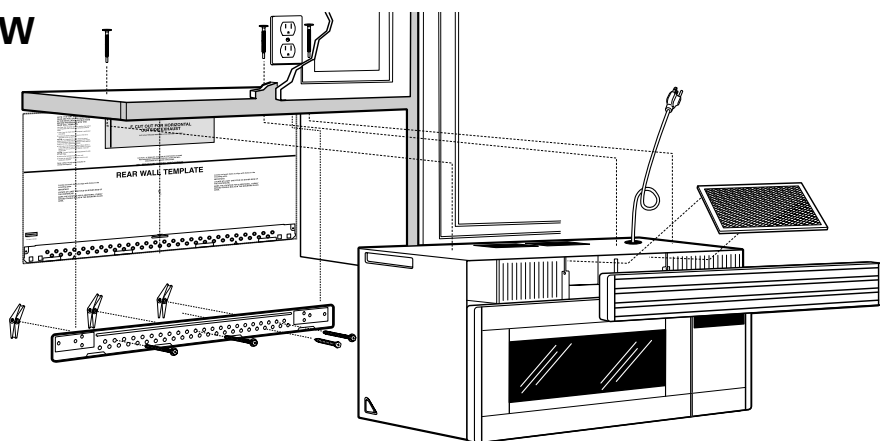
7 Install grease filter. See the Owner's Manual packed with the microwave.

Installation Instructions

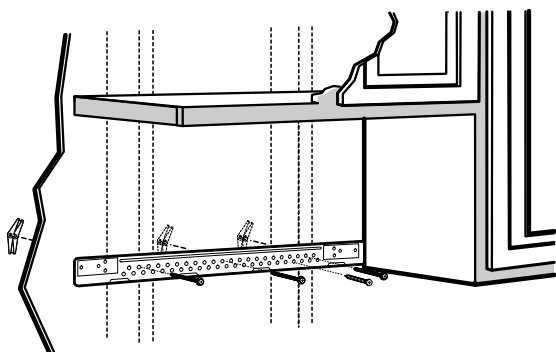
C RECIRCULATING (Non-Vented Ductless)

INSTALLATION OVERVIEW

- C1. Attach Mounting Plate to Wall
- C2. Prepare Top Cabinet
- C3. Check Microwave Assembly
- C4. Adapt Blower for Recirculation
- C5. Mount the Microwave Oven
- C6. Install Charcoal Filter



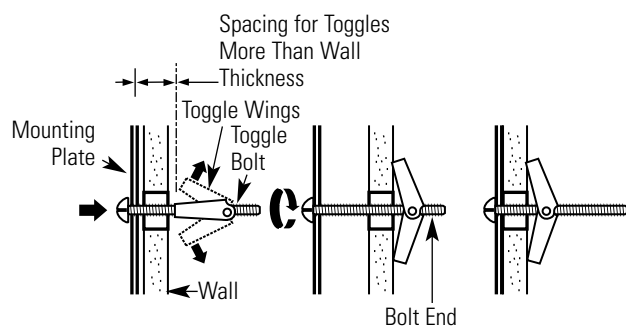
C1. ATTACH THE MOUNTING PLATE TO THE WALL



Remove the template from the rear wall. The mounting plate must be secured to the wall using at least 3 toggle bolts and one wood screw. The wood screw must engage a wall stud.

- 1 Remove the toggle wings from the bolts.
- 2 Insert the bolts into the mounting plate through the holes designated to go into drywall and reattach the toggle wings to $\frac{3}{4}$ " onto each bolt.

To use toggle bolts:



- 3 Place the mounting plate against the wall and insert the toggle wings into the holes in the wall to mount the plate.

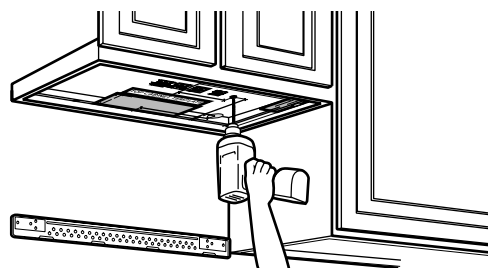
NOTE: Before tightening the toggle bolts and the wood screw(s), check again to be sure that the mounting plate is level and centered left to right.

CAUTION: Be careful to avoid pinching fingers between the back of the mounting plate and the wall.

- 4 Tighten all bolts. Pull the plate away from the wall to help tighten the bolts. Be careful not to over-torque toggle bolts.

C2. USE TOP CABINET TEMPLATE FOR PREPARATION OF TOP CABINET

The top cabinet template will help you locate the top support screw holes and power cord cutout locations.



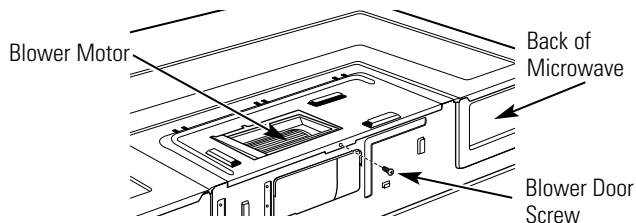
- Read the instructions on the TOP CABINET TEMPLATE.
- Tape it underneath the top cabinet.
- Drill the holes, following the instructions on the TOP CABINET TEMPLATE.

CAUTION: Wear safety goggles when drilling holes in the cabinet bottom.

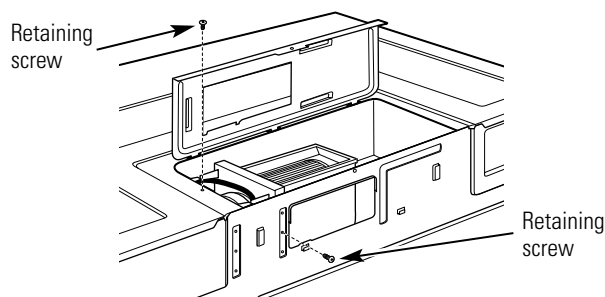
Installation Instructions

C3. ADAPTING MICROWAVE BLOWER FOR RECIRCULATION

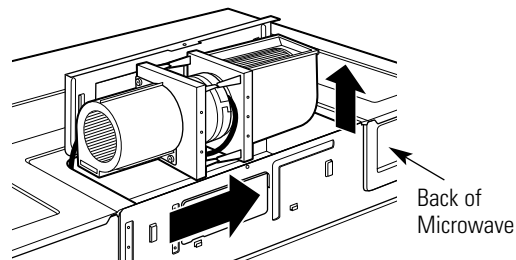
- 1 Remove the back top center blower motor door retaining screw.



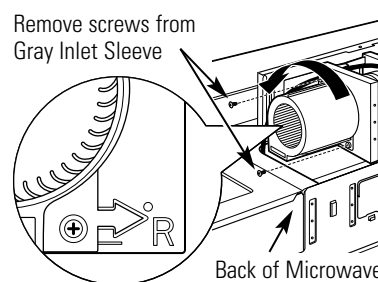
- 2 Open the blower door by lifting it up at the back side of the microwave. Remove and save the top and back retaining screws that hold the blower motor in the microwave.



- 3 Carefully slide the blower motor toward the right, and lift it partially out of the opening. **Note:** The blower wires are long enough to allow flexible handling while performing these steps. Disconnect the wires only if it is necessary for additional flexibility.

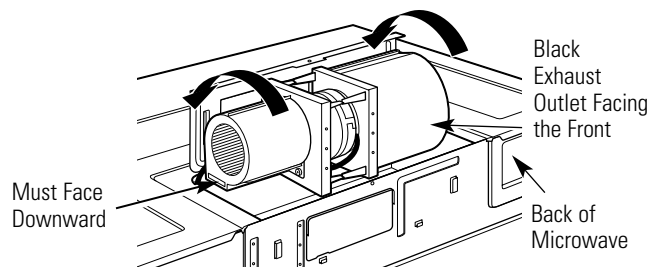


- 4 Remove the two screws holding the gray colored inlet sleeve to the blower unit. Rotate the gray sleeve as shown until the gray arrow lines up with the "R", Recirculating exhaust. Reinstall the two screws.



- 5 Roll the assembled blower unit so that the black-colored exhaust outlet faces the front of the microwave and the gray-colored inlet sleeve faces downward.

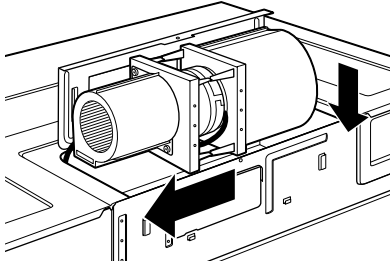
NOTE: The gray-colored sleeve opening must ALWAYS face downward to ensure proper operation of the microwave.



Installation Instructions

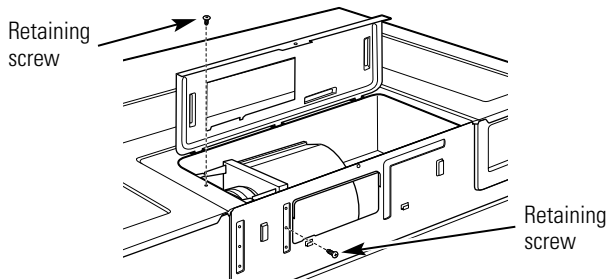
C3. ADAPTING MICROWAVE BLOWER FOR RECIRCULATION (cont.)

- 6 Tilt and place the blower unit back into the opening in the top of the microwave.



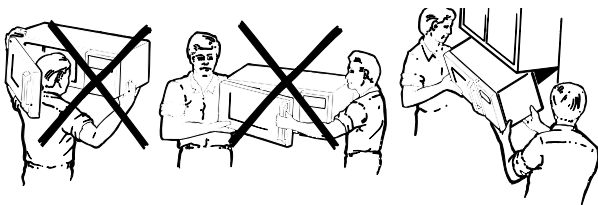
CAUTION: Do not pull or stretch the blower unit wiring. Make sure the wires are not pinched.

- 7 Secure the blower unit to the microwave with the two screws removed in Step 2.



- 8 Close the blower cover and secure it with the screw removed in Step 1.

C4. MOUNT THE MICROWAVE OVEN



FOR EASIER INSTALLATION AND PERSONAL SAFETY, WE RECOMMEND THAT **TWO PEOPLE** INSTALL THIS MICROWAVE OVEN.

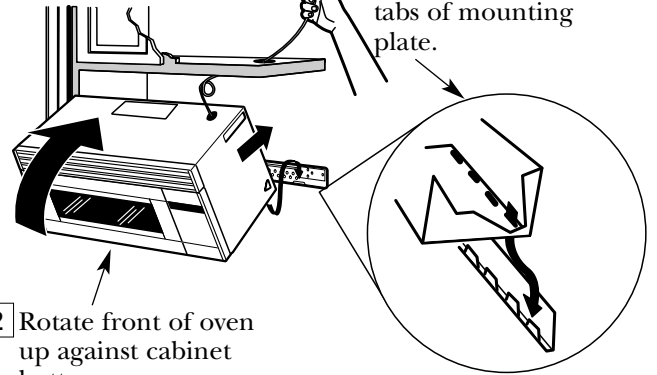
NOTE: If your cabinet is metal, use the nylon grommet around the power cord hole to prevent cutting of the cord.

NOTE: We recommend using filler blocks if the cabinet front hangs below the cabinet bottom shelf.

IMPORTANT: If filler blocks are not used, case damage may occur from overtightening screws.

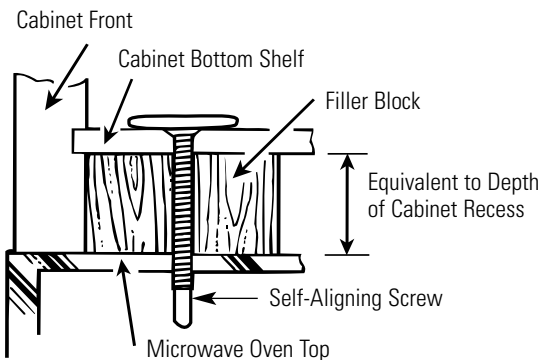
NOTE: When mounting the microwave oven, thread power cord through hole in bottom of top cabinet. Keep it tight throughout Steps 1-3. Do not pinch cord or lift oven by pulling cord.

- 1 Lift microwave, tilt it forward and hook slots at back bottom edge onto four lower tabs of mounting plate.



- 2 Rotate front of oven up against cabinet bottom.

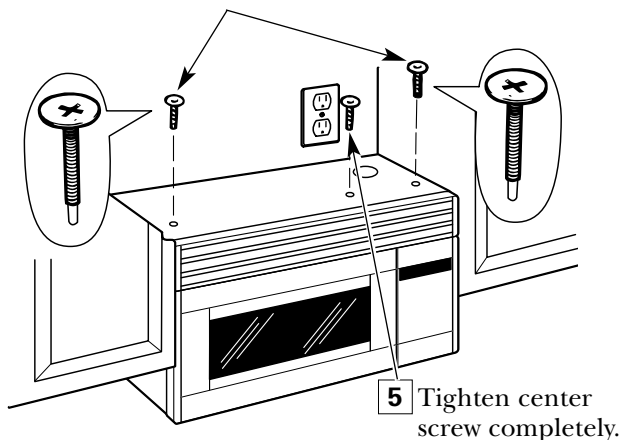
- 3 Insert a self-aligning screw through top center cabinet hole. Temporarily secure the oven by turning the screw at least **two full turns** after the threads have engaged. (It will be completely tightened later.) **Be sure to keep power cord tight. Be careful not to pinch the cord, especially when mounting flush to bottom of cabinet.**



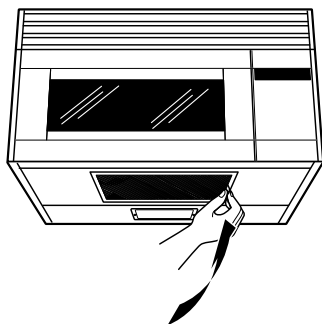
Installation Instructions

C4. MOUNT THE MICROWAVE OVEN (cont.)

- 4 Insert 2 self-aligning screws through outer top cabinet holes. Turn two full turns on each screw.



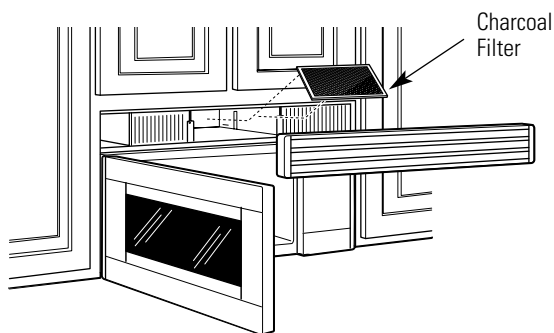
- 5 Tighten center screw completely.
- 6 Tighten the outer two screws to the top of the microwave oven. (While tightening screws, hold the microwave oven in place against the wall and the top cabinet.)



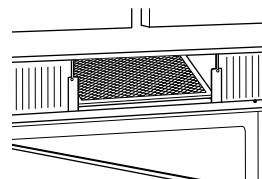
- 7 Install grease filter. See the Owner's Manual packed with the microwave.

C5. INSTALLING THE CHARCOAL FILTER ACCESSORY

- 1 Remove the 3 screws along the top front edge of the oven using a #1 Phillips screwdriver.
- 2 Open the door.
- 3 Remove the grille by sliding it to the left and then pulling it straight off.



- 4 Install the charcoal filter. The filter will rest at an angle on two side support tabs. When properly installed, the wire mesh of the filter should be visible from the front.



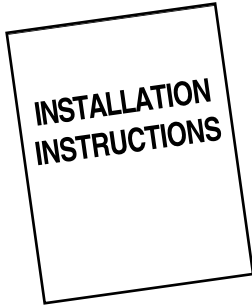
Insert mesh-side up

- 5 Replace the grille and the screws.
- 6 Close the door.

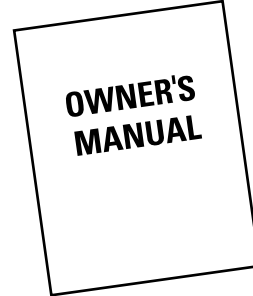
Installation Instructions

BEFORE YOU USE YOUR MICROWAVE

1. Make sure the microwave oven has been installed according to instructions.



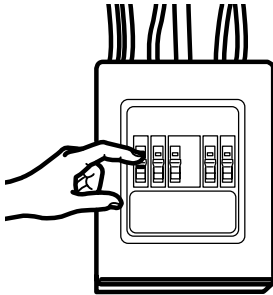
6. Read the Owner's Manual.



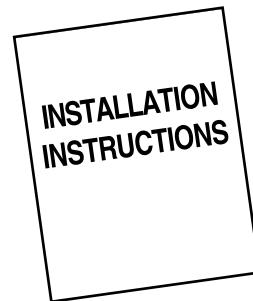
2. Remove all packing material from the microwave oven.

3. Install turntable and ring in cavity.

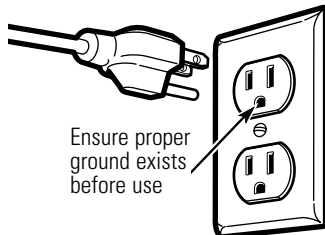
4. Replace house fuse or turn breaker back on.



7. KEEP INSTALLATION INSTRUCTIONS FOR THE LOCAL INSPECTOR'S USE.



5. Plug power cord into a dedicated 15- to 20-amp electrical outlet.



Ensure proper ground exists before use

39-40449

03-05 JR

Printed in Malaysia

DE68-02957A

Instrucciones de instalación

Horno microondas para colocar encima de la estufa

¿Preguntas? Llame **800.GE.CARES (800.432.2737)** o visite nuestra página en la red en: **Hotpoint.com**

ANTES DE EMPEZAR

Lea estas instrucciones completa y cuidadosamente.

- **IMPORTANTE** – Guarde estas instrucciones para el uso del inspector local.
- **IMPORTANTE** – Cumpla con todos los códigos y ordenanzas gubernamentales.
- **Nota para el instalador** – Asegúrese de dejar estas instrucciones con el consumidor.
- **Nota para el consumidor** – Guarde estas instrucciones para futura referencia.
- **Nivel de destrezas** – La instalación de este aparato requiere de destrezas básicas de mecánica y electricidad.
- La instalación apropiada es responsabilidad del instalador.
- La falla del producto debido a una instalación inapropiada no está cubierta por la garantía.



**LEA CUIDADOSAMENTE.
GUARDE ESTAS INSTRUCCIONES.**

Instrucciones de instalación

CONTENIDO

Información general

| | |
|--|------|
| Instrucciones de seguridad importantes | 3 |
| Requisitos eléctricos | 3 |
| Campana de escape..... | 4, 5 |
| Daños—Envío/Instalación | 6 |
| Partes incluidas | 6 |
| Herramientas que necesitará..... | 7 |
| Espacio de montaje | 7 |

Guía de instalación paso por paso

| | |
|---|------|
| Cómo colocar el plato de montaje | 8–10 |
| Cómo remover el plato de montaje..... | 8 |
| Cómo encontrar los postes de viga en la pared..... | 8 |
| Cómo determinar la localización del plato de la pared | 9 |
| Cómo determinar la localización de los tornillos traseros de montaje | 10 |

Tipos de instalación..... 11–22

A Escape superior exterior 12–14

| | |
|--|--------|
| Cómo adherir el plato de montaje a la pared | 12 |
| Preparación del gabinete superior | 13 |
| Cómo instalar el regulador de tiro | 13 |
| Cómo montar el horno microondas | 13, 14 |
| Cómo ajustar el adaptador de escape .. | 14 |
| Cómo conectar la red de conductos | 14 |

B Escape posterior exterior 15–18

| | |
|---|--------|
| Cómo preparar la pared posterior para el escape posterior exterior | 15 |
| Cómo remover el adaptador de escape .. | 15 |
| Cómo adherir el plato de montaje a la pared | 16 |
| Cómo preparar el gabinete superior.... | 16 |
| Cómo adaptar el ventilador del microondas para el escape posterior exterior | 16, 17 |
| Cómo montar el horno microondas | 18 |

C Recirculación 19–22

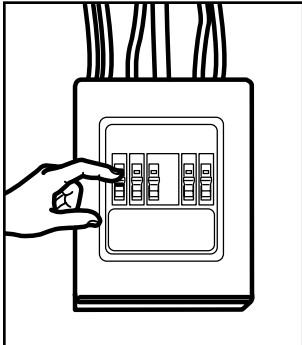
| | |
|--|--------|
| Cómo adherir el plato de montaje a la pared | 19 |
| Cómo preparar el gabinete superior | 19 |
| Cómo adaptar el ventilador del microondas para la recirculación.... | 20, 21 |
| Cómo montar el horno microondas | 21, 22 |
| Cómo instalar el filtro de carbonilla.... | 22 |

Antes de comenzar a usar su horno microondas 23

Instrucciones de instalación

INSTRUCCIONES DE SEGURIDAD IMPORTANTES

Este producto requiere un tomacorriente eléctrico de tres patas conectado a tierra. El instalador debe llevar a cabo una inspección de continuidad a tierra en la caja eléctrica antes de comenzar la instalación para asegurar que la caja tomacorriente está conectada a tierra de manera apropiada. Si no lo está, o si el tomacorriente no cumple con los requisitos eléctricos indicados (bajo la sección REQUISITOS ELÉCTRICOS), se deberá recurrir a un técnico calificado para corregir cualquier deficiencia.



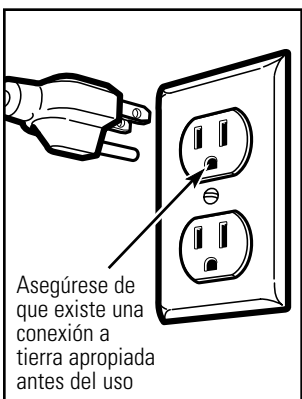
PRECAUCIÓN: Para seguridad personal, remueva el fusible de la casa o abra el interruptor de circuito antes de comenzar la instalación para evitar descargas eléctricas severas o fatales.

PRECAUCIÓN: En pos de la seguridad personal, la superficie de montaje debe ser capaz de soportar la carga del gabinete, además del peso adicional (de 63 a 85 libras) de este producto, más las cargas adicionales del horno de hasta 50 libras o un peso total entre 113 y 135 libras.

PRECAUCIÓN: En pos de la seguridad personal, este producto no puede ser instalado en sistemas de gabinetes tales como los llamados “islas” o “penínsulas.” Este debe ser montado tanto a un gabinete superior como a una pared.

NOTA: Para una instalación más fácil y en pos de la seguridad personal, se recomienda que dos personas instalen este producto.

IMPORTANTE: POR FAVOR, LEA CUIDADOSAMENTE. EN POS DE LA SEGURIDAD PERSONAL, ESTE APARATO DEBE SER CONECTADO A TIERRA APROPIADAMENTE PARA EVITAR DESCARGAS SEVERAS O FATALES.



Asegúrese de que existe una conexión a tierra apropiada antes del uso

El cable eléctrico de este aparato está equipado con un enchufe de tres patas (con conexión a tierra), lo cual requiere que el mismo encaje con un tomacorriente para tres patas (con conexión a tierra) de pared para minimizar la posibilidad de descargas eléctricas.

Deberá hacer que un técnico calificado inspeccione el tomacorriente de pared y el circuito para asegurarse de que el tomacorriente esté conectado a tierra de manera apropiada.

Donde usted encuentre un tomacorriente estándar de dos patas, es muy importante que haga que el mismo se cambie por uno de tres patas apropiadamente conectado a tierra, instalado por un electricista calificado.

BAJO NINGUNA CIRCUNSTANCIA NO CORTE, DEFORME O REMUEVA NINGUNA DE LAS PATAS DEL CABLE ELÉCTRICO. NO LO USE CON UNA EXTENSIÓN ELÉCTRICA.

REQUISITOS ELÉCTRICOS

La clasificación del producto es de 120 vatios CA (AC), 60 hertz, 15 amperios y 1.58 kilovatios. Este producto debe estar conectado a un circuito de suministro del voltaje y frecuencia apropiados. El tamaño del alambre debe conformarse a los requisitos del National Electrical Code o al código local en efecto para este índice de kilovatios. El cable eléctrico de alimentación y el interruptor deberán llevarse a un tomacorriente único conectado a tierra de 15 a 20 amperios. La caja del tomacorriente deberá estar localizada en el gabinete encima del horno. La caja del tomacorriente debe ser instalada por un electricista calificado y debe conformarse al National Electrical Code o al código local en efecto.

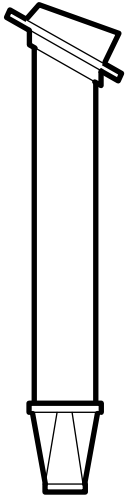
Instrucciones de instalación




CAMPANA DE ESCAPE

NOTA: Lea las siguientes dos páginas solamente si planea ventilar el escape hacia el exterior. Si por el contrario planea recircular el aire de vuelta hacia el salón, continúe en la página 6.

ESCAPE SUPERIOR EXTERNO (EJEMPLO SOLAMENTE)

La siguiente tabla describe un ejemplo de una posible instalación de red de conductos.

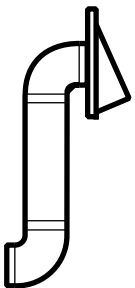





| PARTES DEL CONDUCTO | | LONGITUD EQUIVALENTE | x | NÚMERO USADO | = | LONGITUD EQUIVALENTE |
|---|--|----------------------|---|--------------|---|----------------------|
|  | Tapa del techo | 24 pies | x | (1) | = | 24 pies |
|  | Conducto recto de 12 pies (redondo de 6") | 12 pies | x | (1) | = | 12 pies |
|  | Adaptador de transición de rectángulo a redondo* | 5 pies | x | (1) | = | 5 pies |
| La longitud de las partes de los conductos equivalentes está basada en pruebas reales y reflejan los requisitos para lograr una buena ventilación con cualquier campana de escape. Longitud total = | | | | | | 41 pies |

* **IMPORTANTE:** Si se usa un adaptador de transición de rectángulo a redondo, las esquinas del fondo del regulador de tiros deberán cortarse para que encajen, usando las tijeras de corte, para permitir el movimiento libre del regulador de tiros.

ESCAPE POSTERIOR EXTERNO (EJEMPLO SOLAMENTE)

La siguiente tabla describe un ejemplo de una posible instalación de red de conductos.



| PARTES DEL CONDUCTO | | LONGITUD EQUIVALENTE | x | NÚMERO USADO | = | LONGITUD EQUIVALENTE |
|---|--|----------------------|---|--------------|---|----------------------|
|  | Tapa de pared | 40 pies | x | (1) | = | 40 pies |
|  | Conducto recto de 3 pies (rectangular de 3/4" x 10") | 3 pies | x | (1) | = | 3 pies |
|  | Codo de 90° | 10 pies | x | (2) | = | 20 pies |
| La longitud de las partes de los conductos equivalentes está basada en pruebas reales y reflejan los requisitos para lograr una buena ventilación con cualquier campana de escape. Longitud total = | | | | | | 63 pies |

NOTA: Para el escape posterior, se debe tener cuidado al alinear el escape entre los espacios de los postes de viga de la pared, o la pared debería ser preparada en el momento de su construcción dejando suficiente espacio entre los postes de viga de la pared para acomodar el escape.

Instrucciones de instalación

NOTA: Si usted necesita instalar conductos, tenga pendiente que la longitud total del conducto rectangular de 3¼" x 10" o el conducto redondo de 6" de diámetro **no debe sobrepasar 140 pies equivalentes.**

La ventilación externa requiere un CONDUCTO DE CAMPANA DE ESCAPE. Lea lo siguiente cuidadosamente.

NOTA: Es importante que la ventilación sea instalada usando la ruta más directa y con la menor cantidad de codos posible. Esto asegura la ventilación del escape y ayuda a prevenir bloqueos. **También, cerciórese de que el regulador de tiro pende libremente y nada bloquea los conductos.**

Conexiones de escape:

La campana de escape ha sido diseñada para encajar con un conducto rectangular de 3¼" x 10" estándar.


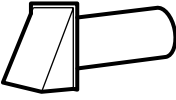


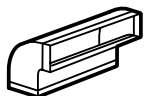
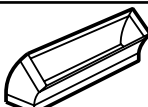
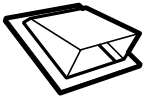

Si un conducto redondo es necesario, se debe usar un adaptador de transición de rectangular a redondo.

No use un conducto menor de 6" de diámetro.

Longitud máxima del conducto:

Para lograr un movimiento satisfactorio del aire, la longitud total del conducto rectangular de 3¼" x 10" o el conducto redondo de 6" de diámetro **no debe sobrepasar 140 pies equivalentes.**

Los codos, transiciones, paredes y tapas de techo, etc., presentan resistencia adicional al flujo de aire y son equivalentes a una sección de conducto recto el cual es más largo que su tamaño físico real. Cuando calcule la longitud total del conducto, agregue las longitudes equivalentes de todas las transiciones y adaptadores, más la longitud de todas las secciones de conducto rectas. La tabla más adelante muestra cómo puede calcular la longitud aproximada de la red de conductos usando pies aproximados de longitudes equivalentes de algunos conductos típicos.

| PARTES DE CONDUCTO | | LONGITUD EQUIVALENTE | x | NÚMERO USADO | = | LONGITUD EQUIVALENTE |
|---|---|----------------------|---|--------------|---|----------------------|
|  | Adaptador de transición de rectángulo a redondo* | 5 pies | x | () | = | pies |
|  | Tapa de pared | 40 pies | x | () | = | pies |
|  | Codo de 90° | 10 pies | x | () | = | pies |
|  | Codo de 45° | 5 pies | x | () | = | pies |
|  | Codo de 90° | 25 pies | x | () | = | pies |
|  | Codo de 45° | 5 pies | x | () | = | pies |
|  | Tapa de techo | 24 pies | x | () | = | pies |
|  | Conducto recto de 6" redondo o rectangular de 3¼" x 10" | 1 pies | x | () | = | pies |
| Total red de conductos = | | | | | | pies |



* **IMPORTANTE:** Si se usa un adaptador de transición de rectángulo a redondo, las esquinas del fondo del regulador de tiros deberán ser cortadas para que encajen, usando las tijeras de corte, para permitir el movimiento libre del regulador de tiros.

La longitud de las partes de conductos equivalentes está basada en pruebas reales y reflejan los requisitos para lograr una buena ventilación con cualquier campana de escape.


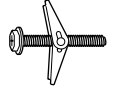


Instrucciones de instalación

DAÑOS— ENVÍO/INSTALACIÓN

- Si la unidad se daña durante el envío, devuelva la unidad al almacén donde la adquirió para su reparación o reemplazo.
- Si el cliente daña la unidad, la reparación o el reemplazo es responsabilidad del cliente.
- Si el instalador daña la unidad (si no es el cliente), la reparación o reemplazo se debe hacer por medio de un arreglo entre el cliente y el instalador.

PARTES INCLUIDAS

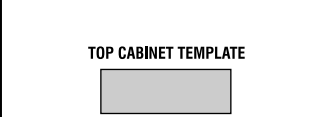
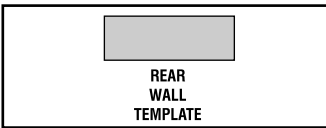

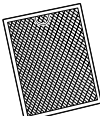
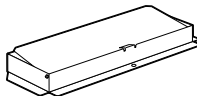
PAQUETE DE ELEMENTOS

| PARTE | | CANTIDAD |
|--|--|----------|
|  | Tornillos de madera (1/4" x 2") | 1 |
|  | Tornillos basculantes (y tuercas de mariposa) (3/16" x 3") | 3 |
|  | Tornillos de máquina autoalineables (1/4"-28 x 3/4") | 3 |
|  | Arandela aislante de nilón (para gabinetes metálicos) | 2 |

Usted encontrará los elementos de instalación en un paquete junto con la unidad. Inspeccione para cerciorarse de que tiene todas las partes.

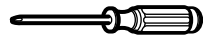
NOTA: Se incluyen algunas partes adicionales.

PARTES ADICIONALES

| PARTE | | CANTIDAD |
|--|---|----------|
|  | Plantilla para el gabinete superior | 1 |
|  | Plantilla para la pared posterior | 1 |
|  | Instrucciones de instalación | 1 |
|  | Filtro de grasa empacado por separado | 1 |
|  | Adaptador de escape empacado por separado | 1 |

Instrucciones de instalación

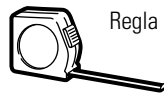
HERRAMIENTAS QUE NECESITARÁ



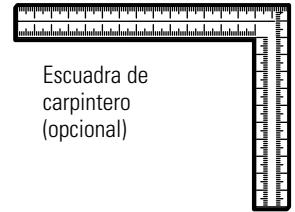
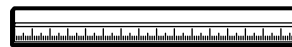
Destornilladores de estrella
1 y # 2



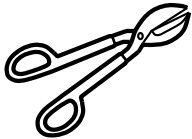
Lápiz



Regla recta y cinta métrica



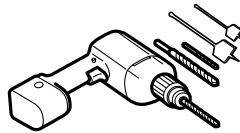
Escuadra de
carpintero
(opcional)



Tijeras para cortar latón
(para cortar el regulador
de tiro, si es necesario)



Tijeras (para cortar la
plantilla, si es necesario)



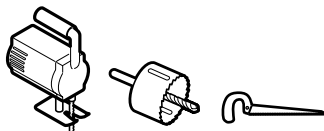
Taladro eléctrico con brocas de
 $\frac{3}{16}$ ", $\frac{1}{2}$ " y $\frac{5}{8}$ "



Bloques de relleno o
pedazos de madera, si son
necesarios para rellenar el
gabinete (usados solamente
en la instalación de
gabinetes apoyados)



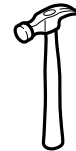
Guantes



Sierra (de sable, agujero o de
ojo de cerradura)



Detector de
postes de viga o un martillo (opcional)



Gafas de seguridad

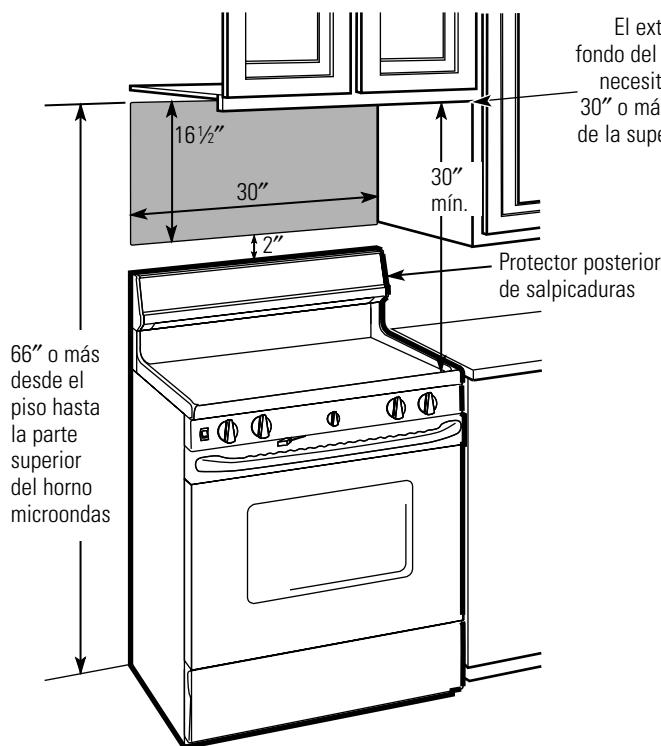


Nivel



Cinta de conductos o
cinta adhesiva protectora

ESPACIO DE MONTAJE



NOTAS:

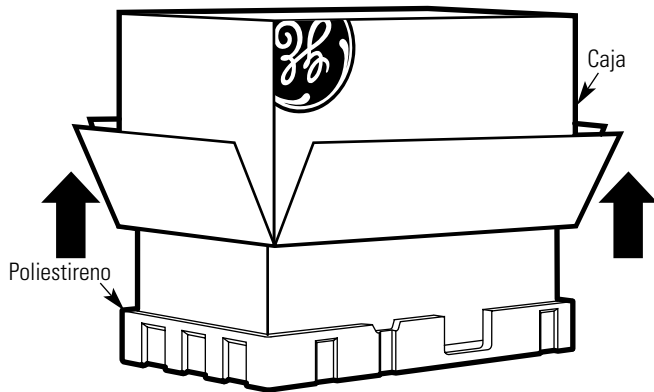
- El espacio entre los gabinetes debe ser de 30" de ancho y debe estar libre de obstrucciones.
- Si el espacio entre los gabinetes es mayor de 30", un "Filler Panel Kit" podría ser necesario para rellenar las brechas entre el horno y los gabinetes. Su Manual del Propietario contiene el número de kit para su modelo.
- Este horno microondas es para ser instalado por encima de estufas hasta 36" de ancho.
- Cuando se instale el horno microondas debajo de gabinetes de fondos lisos y planos, tenga cuidado de seguir cuidadosamente las instrucciones en la plantilla del gabinete superior para el espacio de tolerancia del cable eléctrico.

Instrucciones de instalación

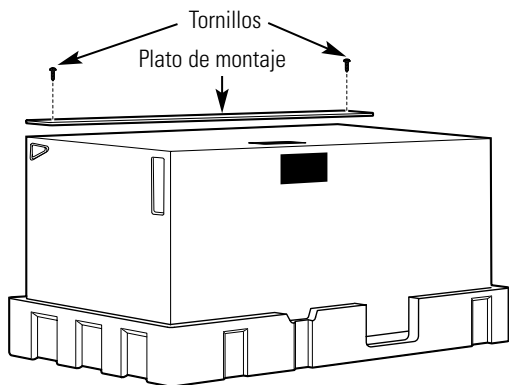
1 CÓMO COLOCAR EL PLATO DE MONTAJE

A. CÓMO REMOVER EL HORNO MICROONDAS DEL EMBALAJE/ CÓMO REMOVER EL PLATO DE MONTAJE

- 1 Remueva las instrucciones de instalación, el filtro, la bandeja de cristal y la bolsa pequeña del equipo. No remueva el protector frontal de espuma de poliestireno del horno.
- 2 Doble totalmente hacia atrás las cuatro tapas de cartón hacia los lados opuestos de la caja. Entonces descubra el horno y el cartón en la parte superior. El horno debería estar descansando sobre la espuma de poliestireno.

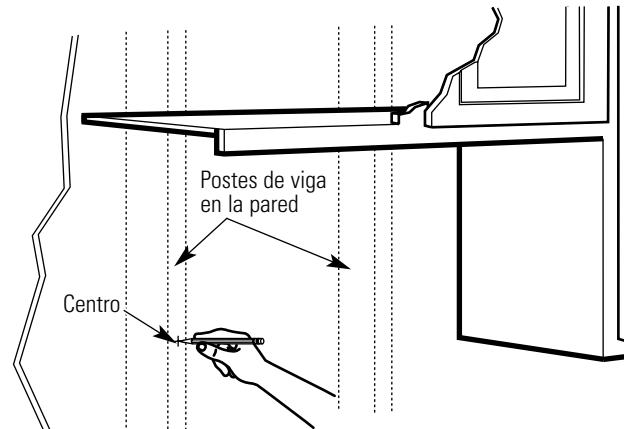


- 3 Tire del cartón hacia arriba y lejos del horno.
- 4 Remueva y deseche debidamente las bolsas de plástico.



- 5 Remueva los dos tornillos del plato de montaje fondo. Remueva el plato de montaje y ponga a un lado. Este plato será utilizado con la plantilla de la pared posterior para montar. **REEMPLACE LOS TORNILLOS.**

B. CÓMO ENCONTRAR LOS POSTES DE VIGA EN LA PARED



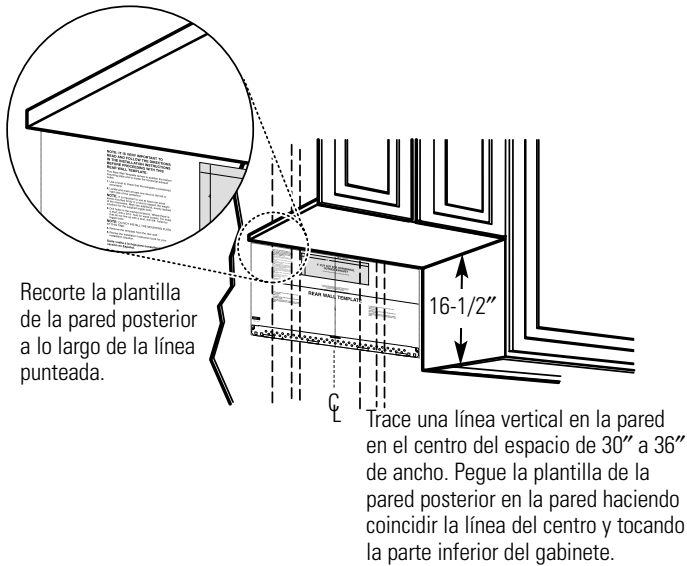
- 1 Encuentre los postes, usando uno de los métodos siguientes:
 - A. Use un detector de postes—un dispositivo magnético que localiza clavos.
 - O
 - B. Use un martillo para golpear ligeramente a través de la superficie de montaje hasta encontrar un sonido sólido. Esto indicará que hay un poste de viga en ese lugar.
- 2 Después de localizar el poste o los postes de viga, encuentre el centro mediante el análisis de la pared usando un clavo pequeño para darse cuenta de dónde están los bordes del poste. Luego coloque una marca en el centro de los bordes. El centro de cualquier poste adyacente deberá ser entre 16" ó 24" desde esta marca.
- 3 Trace una línea hacia abajo indicando el centro del poste.

EL HORNO MICROONDAS DEBE CONECTARSE POR LO MENOS A UN POSTE DE LA PARED.

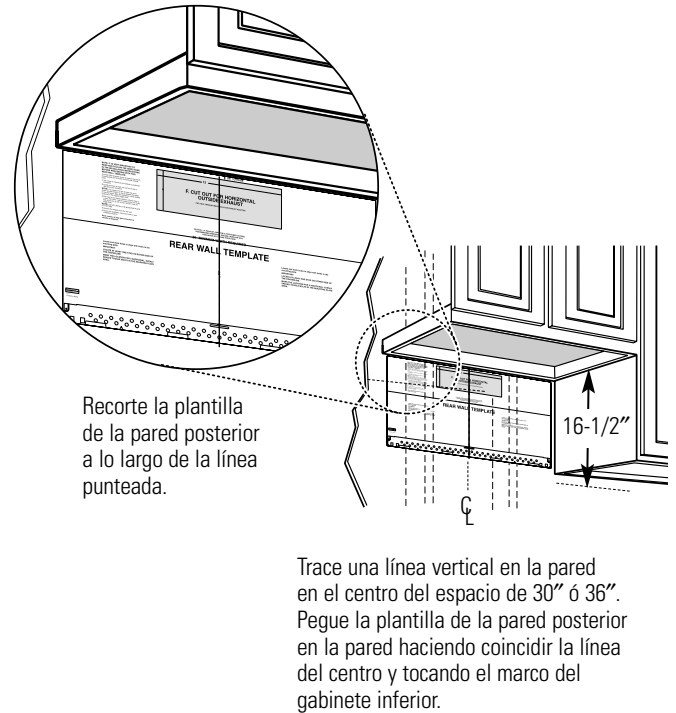
Instrucciones de instalación

C. CÓMO DETERMINAR LA LOCALIZACIÓN DEL PLATO DE MONTAJE DEBAJO DE SU GABINETE

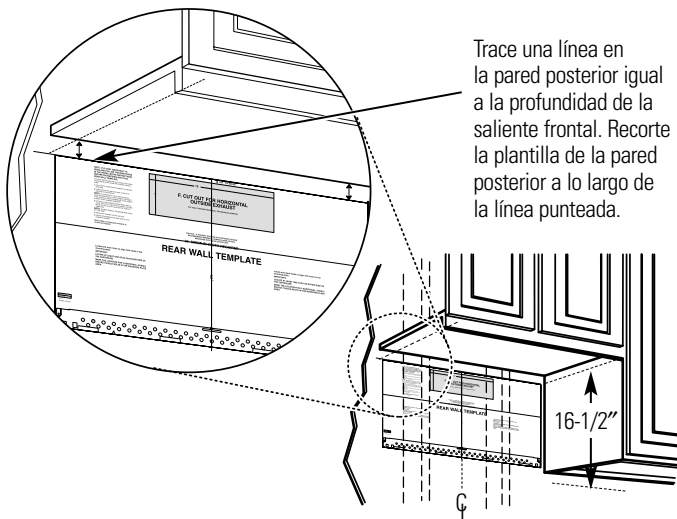
Plantilla debajo de gabinete de fondo plano



Plantilla debajo de gabinete con fondo empotrado



Plantilla alineada con la saliente frontal en la parte inferior del gabinete



EL HORNO MICROONDAS DEBE QUEDAR NIVELADO.

Use un nivel para cerciorarse de que el fondo del gabinete está nivelado.

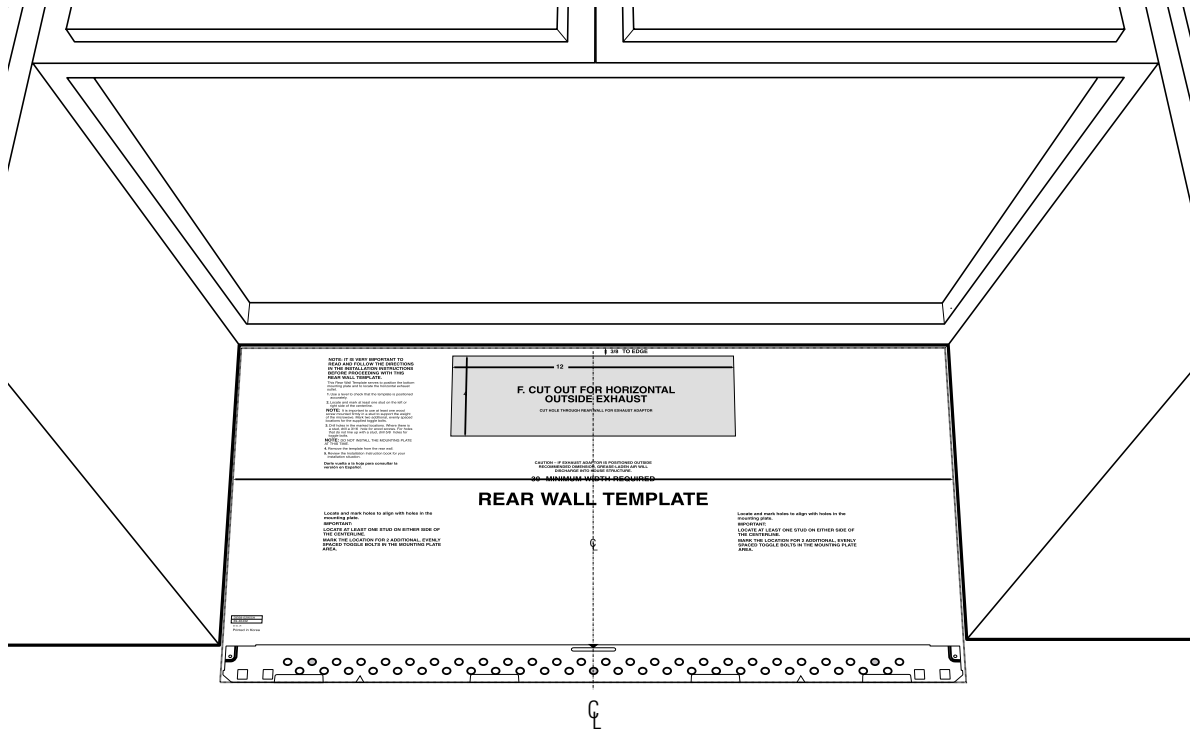
Sus gabinetes podrían tener marcos de decoración que interfieran con la instalación del horno microondas. Remueva los marcos decorativos para instalar el horno apropiadamente y para hacer que quede nivelado.

Si los gabinetes tienen un saliente frontal, trace una línea en la pared posterior en la misma profundidad que la saliente. Alinee la plantilla para hacer coincidir la profundidad de la saliente. Este mantendrá el horno microondas nivelado.

- 1 Mida la profundidad interna del frente del saliente.
- 2 Trace una línea horizontal en la pared posterior para hacer coincidir la profundidad de la saliente frontal. Vea la ilustración.
- 3 Trace una línea vertical en la pared en el centro del espacio de 30" a 36". Recorte la plantilla por la línea punteada. Pegue la plantilla de la pared posterior a la pared usando la línea del centro marcada y la línea superior como guía.

Instrucciones de instalación

D. CÓMO DETERMINAR LA LOCALIZACIÓN DE LOS TORNILLOS TRASEROS DE MONTAJE



PRECAUCIÓN: Use guantes de protección para evitar cortaduras en sus dedos con los extremos filosos.

NOTA: La plantilla de la pared posterior sirve para colocar el plato de montaje inferior y localizar la salida del escape horizontal.

- 1 Use un nivel para verificar que la plantilla está colocada correctamente.
- 2 Localice y marque al menos un poste de viga en el lado izquierdo o derecho de la línea del centro. Es importante usar **al menos un tornillo de madera** instalado **firmemente en un poste de viga** para apoyar el peso del microondas. Marque tres puntos adicionales, distribuidos uniformemente para los tornillos basculantes que se suministran.
- 3 Perfore orificios en los puntos marcados. Si hay un poste de viga, perfore un orificio de $\frac{3}{16}$ " para los tornillos de madera. Para orificios que no se alinean con un poste de viga, perfore un orificio de $\frac{5}{8}$ " para los tornillos basculantes.

NOTA: NO INSTALE EL PLATO EN ESTE MOMENTO.

Instrucciones de instalación

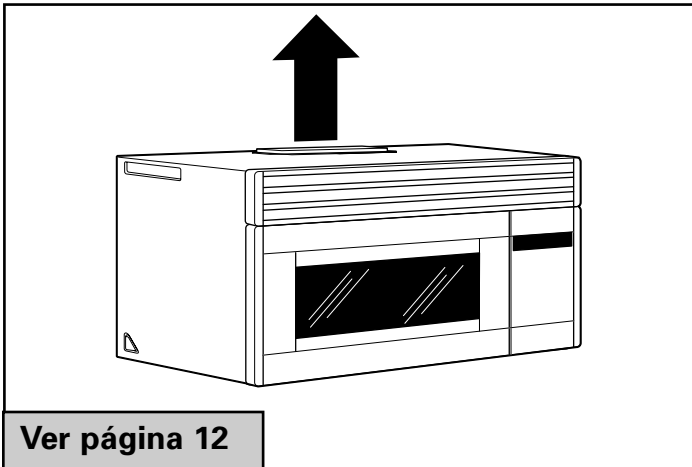
2 TIPOS DE INSTALACIÓN (Escoja A, B o C)

Este horno microondas está diseñado para adaptarse a los siguientes tres tipos de ventilación:

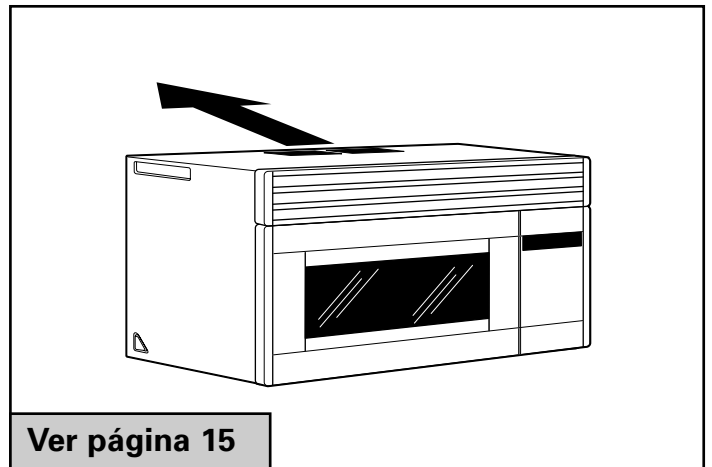
- A. Escape superior exterior (Conducto vertical)
- B. Escape posterior exterior (Conducto horizontal)
- C. Recirculación (Sin conducto de ventilación)

NOTA: Este horno microondas es enviado ya ensamblado para un escape superior exterior (excepto para modelos sin ventilación). Seleccione el tipo de ventilación requerido para su instalación y proceda a tal sección.

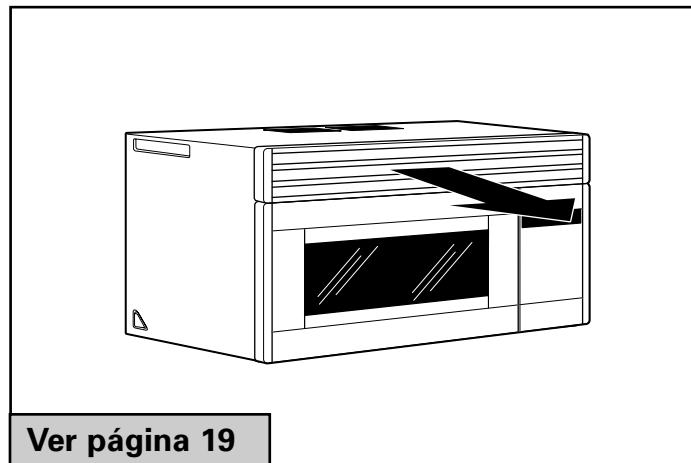
A ESCAPE SUPERIOR EXTERIOR (CONDUCTO VERTICAL)



B ESCAPE POSTERIOR EXTERIOR (CONDUCTO HORIZONTAL)



C RECIRCULACIÓN (SIN CONDUCTO DE VENTILACIÓN)



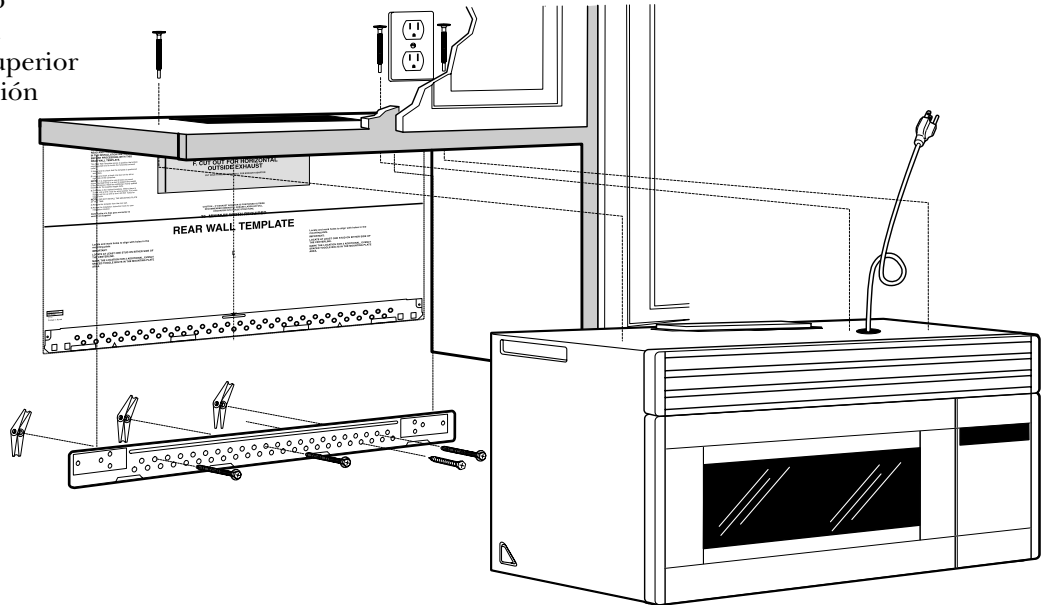
Un Kit de accesorios de filtro de carbonilla es necesario para el sistema sin ventilación. (Consulte su Manual del Propietario para obtener el número del kit.)

Instrucciones de instalación

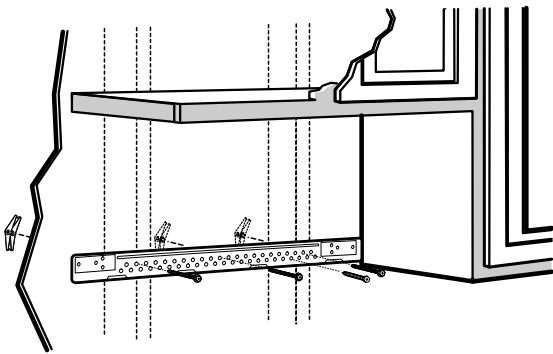
A ESCAPE SUPERIOR EXTERIOR (Conducto vertical)

PERSPECTIVA GENERAL DE LA INSTALACIÓN

- A1. Cómo adherir el plato de montaje a la pared
- A2. Prepare el gabinete superior
- A3. Inspeccione la operación del regulador de tiro.
- A4. Monte el horno microondas
- A5. Ajuste el adaptador de escape
- A6. Conecte el conducto



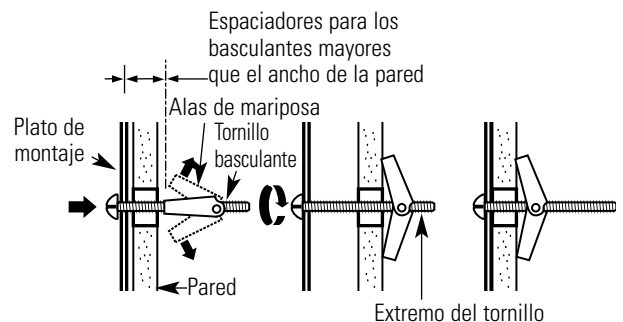
A1. CÓMO ADHERIR EL PLATO DE MONTAJE A LA PARED



Retire la plantilla de la pared posterior. El plato de montaje se debe asegurar a la pared usando como mínimo 3 tornillos basculantes y un tornillo de madera. El tornillo de madera debe sostener un poste de viga de pared.

- 1 Remueva las alas de mariposa de los tornillos.
- 2 Inserte los tornillos en el plato de montaje a través de los agujeros diseñados para ser insertados en la pared de mampostería seca y pegue otra vez las mariposas de $\frac{3}{4}$ " en cada tornillo.

Para usar los tornillos basculantes:



- 3 Coloque el plato de montaje contra la pared e inserte las alas de mariposa en los agujeros de la pared para montar el plato.

NOTA: Antes de apretar los tornillos basculantes y los tornillos de madera, verifique nuevamente para cerciorarse de que el plato de montaje esté nivelado y centrado de izquierda a derecha.

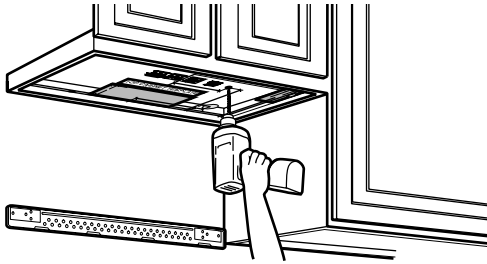
PRECAUCIÓN: Tenga cuidado de evitar pellizcar sus dedos entre la parte posterior del plato de montaje y la pared.

- 4 Apriete todos los tornillos. Tire del plato en dirección opuesta a la pared para ayudar a apretar los tornillos. Tenga cuidado de no apretar en exceso los tornillos basculantes.

Instrucciones de instalación

A2. USE LA PLANTILLA DEL GABINETE SUPERIOR PARA LA PREPARACIÓN DEL GABINETE SUPERIOR

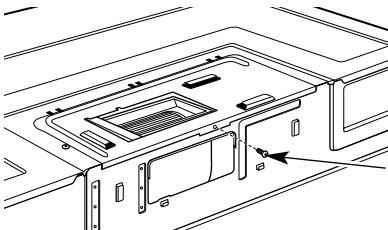
La plantilla del gabinete superior le ayudará a localizar los orificios de los tornillos para el soporte superior, el cable eléctrico y los puntos de salida del escape.



- Lea las instrucciones sobre la PLANTILLA DEL GABINETE SUPERIOR.
- Péguelo debajo del gabinete superior.
- Taladre los agujeros, siguiendo las instrucciones en la PLANTILLA DEL GABINETE SUPERIOR.

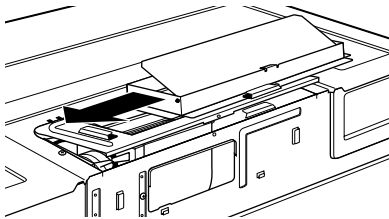
PRECAUCIÓN: Use gafas de seguridad cuando perforo los agujeros en el fondo del gabinete.

A3. INSTALE EL REGULADOR DE TIRO



Retire el tornillo retenedor posterior

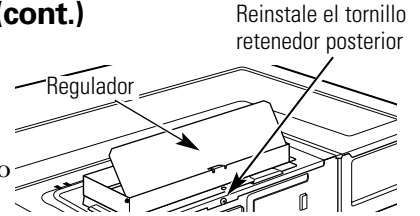
- Coloque el microondas en su posición vertical.
- Retire el tornillo retenedor en la parte posterior de la puerta del motor.



- Levante la puerta del motor ventilador.
- Deslice el adaptador del escape hacia el lado izquierdo y al interior de la abertura.
- El adaptador se debe orientar como se indica en la ilustración.

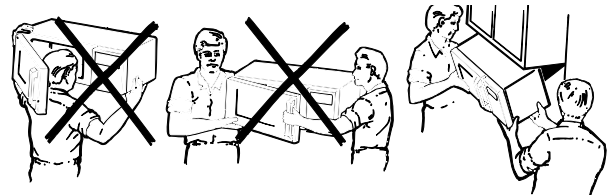
A3. INSTALE EL REGULADOR DE TIRO (cont.)

- Cierre la tapa del ventilador con el adaptador y vuelva a instalar el tornillo posterior.



- Retire la cinta que sostiene el regulador de tiro. El regulador debe girar fácilmente.
- El adaptador se puede ajustar, de izquierda a derecha y de adelante hacia atrás, para alinearse con los ductos de escape de la casa.

A4. CÓMO MONTAR EL HORNO MICROONDAS



PARA OBTENER UNA INSTALACIÓN MÁS FÁCIL Y EN POS DE LA SEGURIDAD PERSONAL, SE RECOMIENDA QUE DOS PERSONAS INSTALEN ESTE HORNO MICROONDAS.

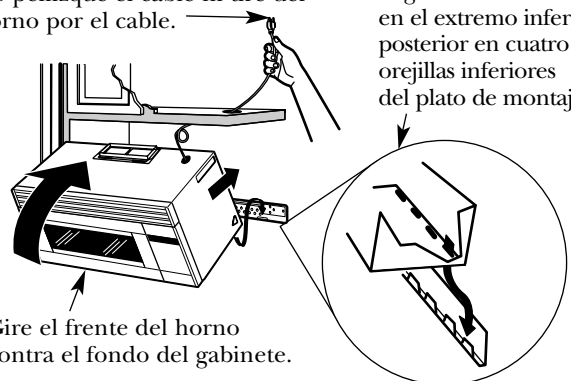
NOTA: Si su gabinete es de metal, use la arandela de nilón alrededor del cable eléctrico para evitar que el mismo sea cortado.

NOTA: Recomendamos el uso de bloques de relleno si el frente del gabinete cuelga por debajo del estante del fondo del gabinete.

IMPORTANTE: Si no se usan bloques de relleno, podrían ocurrir daños por apretar demasiado los tornillos.

NOTA: Cuando se encuentre montando el horno microondas, enrosque el cable eléctrico a través del agujero en el fondo del gabinete superior. Manténgalo tenso a través de los Pasos del 1-3. No pellizque el cable ni tire del horno por el cable.

1 Levante el horno microondas, inclínelo hacia adelante y enganche las ranuras en el extremo inferior posterior en cuatro orejillas inferiores del plato de montaje.

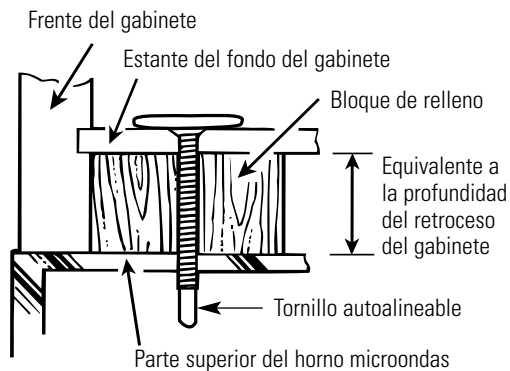


2 Gire el frente del horno contra el fondo del gabinete.

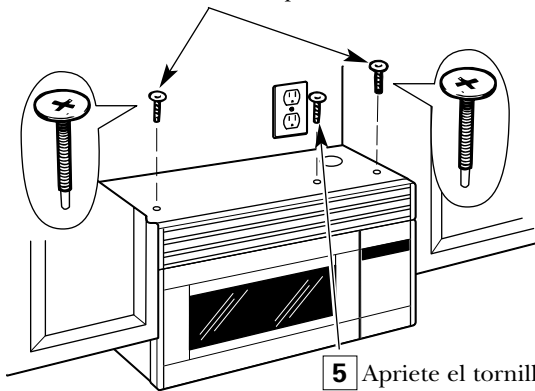
Instrucciones de instalación

A4. CÓMO MONTAR EL HORNO MICROONDAS (cont.)

- 3** Inserte un tornillo de autoalineación a través del agujero central superior del gabinete. Asegure el horno temporalmente girando el tornillo por lo menos **dos vueltas completas** después de que las roscas hayan agarrado. (Luego quedarán totalmente apretadas). **Cerciórese de mantener el cable eléctrico estirado.** **Tenga cuidado de no pellizcar el cable, especialmente cuando se monte al nivel del fondo del gabinete.**

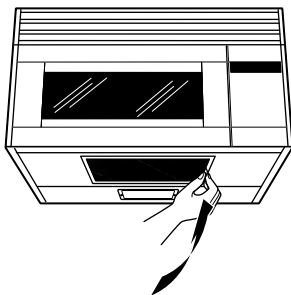


- 4** Inserte 2 tornillos autoalineables a través de los agujeros exteriores superiores del horno. Gire dos vueltas completas en cada tornillo.



- 5** Apriete el tornillo del centro completamente.

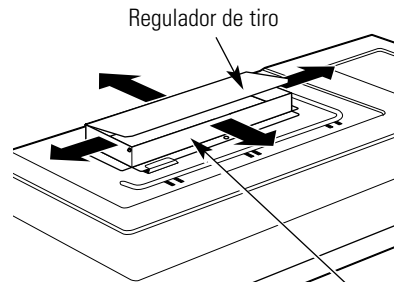
- 6** Apriete los dos tornillos exteriores hacia la parte superior del horno microondas. (Mientras aprieta los tornillos, mantenga el horno microondas en su lugar contra la pared y el gabinete superior.)



- 7** Instale el filtro de grasa. Ver el Manual del Propietario que viene con el horno microondas.

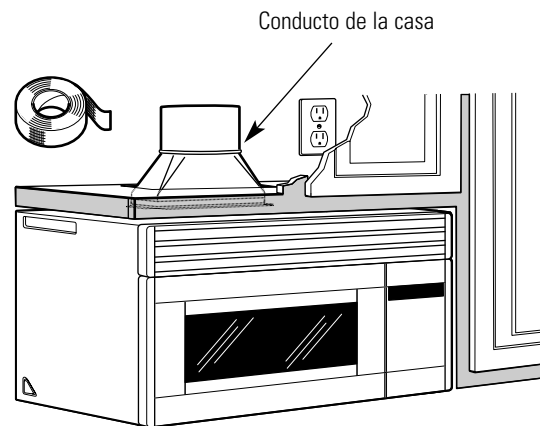
A5. CÓMO AJUSTAR EL ADAPTADOR DE ESCAPE

Abra el gabinete superior y ajuste el adaptador de escape para conectarlo al conducto de la casa.



Para ajustes de frente a parte posterior o de lado a lado, deslice el adaptador de escape según sea necesario.

A6. CÓMO CONECTAR EL CONDUCTO



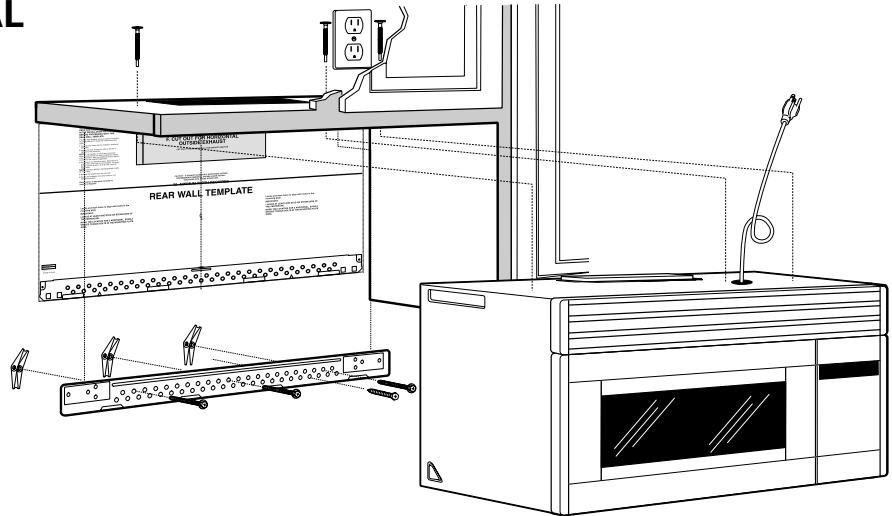
- 1** Extienda el conducto de la casa hacia abajo para conectarlo con el adaptador de escape.
- 2** Selle las juntas del conducto de escape usando cinta adhesiva de conductos.

Instrucciones de instalación

B ESCAPE POSTERIOR EXTERIOR (Conducto horizontal)

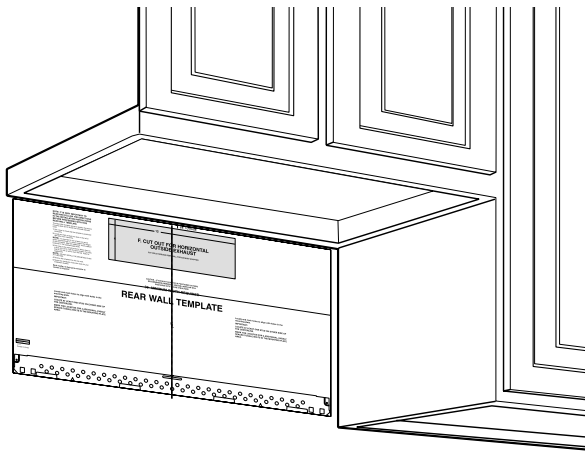
PERSPECTIVA GENERAL DE LA INSTALACIÓN

- B1. Prepare la pared posterior
- B2. Remueva el adaptador de escape
- B3. Pegue el plato de montaje a la pared
- B4. Prepare el gabinete superior
- B5. Adapte el ventilador para escape posterior exterior
- B6. Monte el horno microondas



B1. CÓMO PREPARAR LA PARED POSTERIOR PARA EL ESCAPE POSTERIOR

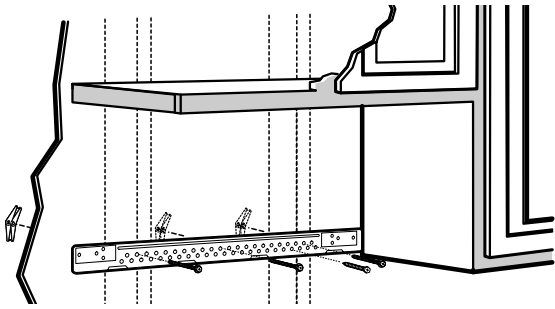
La plantilla para la pared posterior debe ser colocada tal como se muestra en la página 9.



- Lea las instrucciones en la PLANTILLA DE LA PARED POSTERIOR.
- Corte la apertura, siguiendo las instrucciones de la PLANTILLA DE LA PARED POSTERIOR.

Instrucciones de instalación

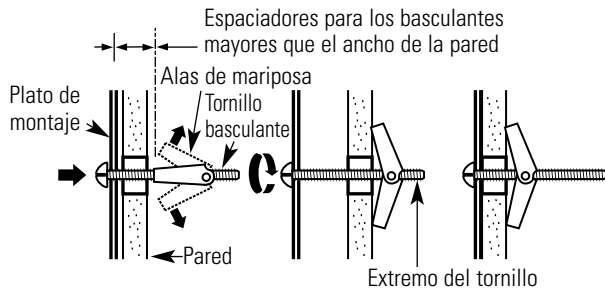
B2. CÓMO ADHERIR EL PLATO DE MONTAJE A LA PARED



Retire la plantilla de la pared posterior. El plato de montaje se debe asegurar a la pared usando como mínimo 3 tornillos basculantes y un tornillo de madera. El tornillo de madera debe sostener un poste de viga de pared.

- 1 Remueva las alas de mariposa de los tornillos.
- 2 Inserte los tornillos en el plato de montaje a través de los agujeros diseñados para colocarse contra la pared de mampostería seca y pegue otra vez las mariposas de $\frac{3}{4}$ " a cada tornillo.

Para usar los tornillos basculantes:



- 3 Coloque el plato de montaje contra la pared e inserte las alas de mariposa en los agujeros de la pared para montar el plato.

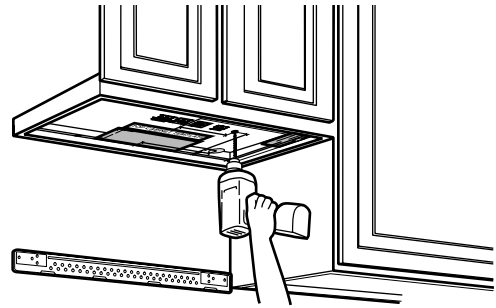
NOTA: Antes de apretar los tornillos basculantes y el tornillo de madera, verifique nuevamente para cerciorarse de que el plato de montaje esté nivelado y centrado de izquierda a derecha.

PRECAUCIÓN: Tenga cuidado de evitar pellizcar sus dedos entre la parte posterior del plato de montaje y la pared.

- 4 Apriete todos los tornillos. Tire del plato en dirección opuesta a la pared para ayudar a apretar los tornillos. Tenga cuidado de no apretar en exceso los tornillos basculantes.

B3. USE LA PLANTILLA DEL GABINETE SUPERIOR PARA PREPARAR EL GABINETE SUPERIOR

La plantilla del gabinete superior le ayudará a localizar los orificios de los tornillos para el soporte superior y el corte para el cable eléctrico.

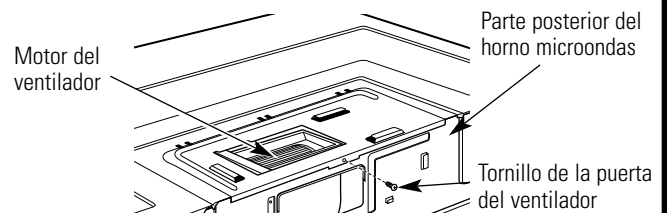


- Lea las instrucciones sobre la PLANTILLA DEL GABINETE SUPERIOR.
- Péguela debajo del gabinete superior.
- Taladre los agujeros, siguiendo las instrucciones en la PLANTILLA DEL GABINETE SUPERIOR.

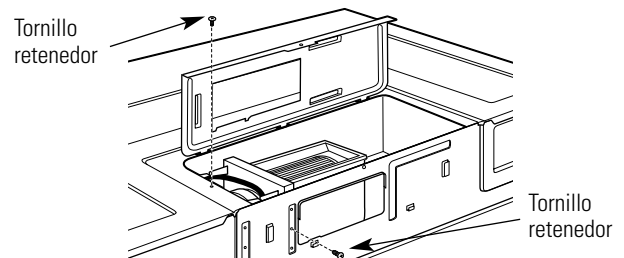
PRECAUCIÓN: Use gafas de seguridad cuando perforo los agujeros en el fondo del gabinete.

B4. CÓMO ADAPTAR EL VENTILADOR DEL MICROONDAS PARA EL ESCAPE POSTERIOR EXTERIOR

- 1 Remueva el tornillo en el centro superior de la parte posterior del horno que sostiene la puerta del motor del ventilador.



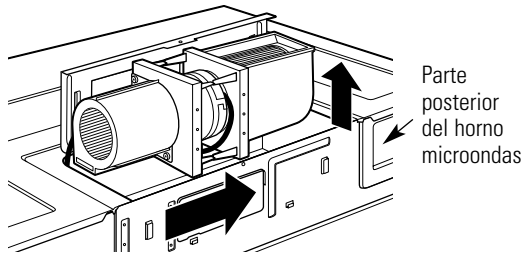
- 2 Abra la puerta del ventilador levantándola hacia arriba en el costado posterior del microondas. Retire y guarde los tornillos retenedores superior y posterior que sostienen el motor del ventilador en el microondas.



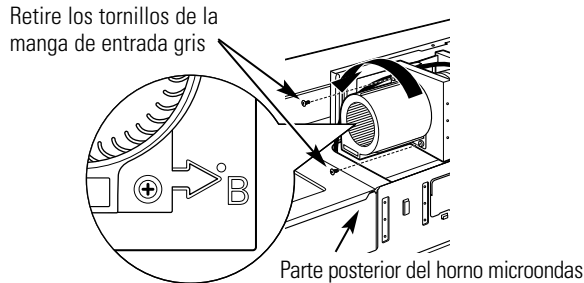
Instrucciones de instalación

B4. CÓMO ADAPTAR EL VENTILADOR DEL MICROONDAS PARA EL ESCAPE POSTERIOR EXTERIOR (cont.)

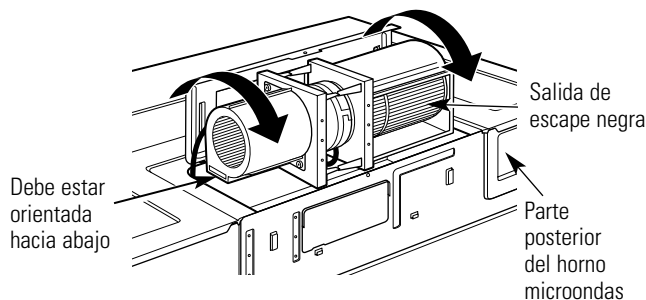
- 3 Con cuidado deslice el motor del ventilador hacia la derecha, y levántelo parcialmente hacia fuera de la abertura. **Nota:** Los cables del ventilador tienen suficiente longitud para permitir un manejo flexible mientras realiza estos pasos. Desconecte los cables únicamente si es necesario para flexibilidad adicional.



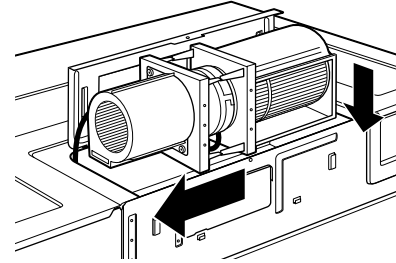
- 4 Retire los dos tornillos que sostienen la manga de entrada de color gris hacia la unidad del ventilador. Rote la manga gris como se muestra hasta que la flecha gris se alinee con el escape posterior "B". Vuelva a instalar los dos tornillos.



- 5 Ruede la unidad del ventilador armada de manera que la salida de escape de color negro esté orientada hacia la parte posterior del microondas y la manga de entrada de color gris esté orientada hacia abajo. **NOTA:** La abertura de la manga de color gris debe SIEMPRE estar orientada hacia abajo para garantizar la operación adecuada del microondas.

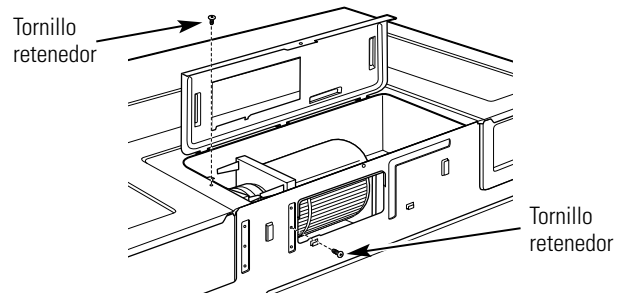


- 6 Incline y coloque la unidad del ventilador de nuevo en la abertura en la parte superior del microondas.



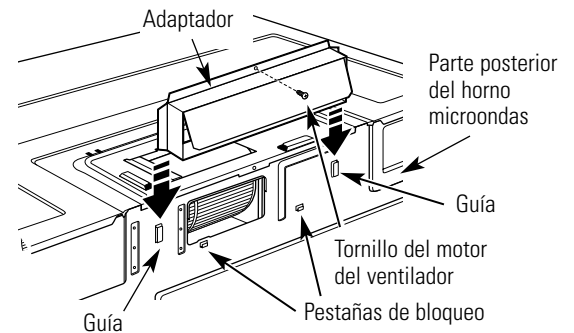
PRECAUCIÓN: No tire ni estire los cables del ventilador. Cerciñese de que los alambres no están pellizcados.

- 7 Asegure la unidad del ventilador al microondas con los tornillos removidos en el paso 2.



- 8 Cierre la cubierta del ventilador.

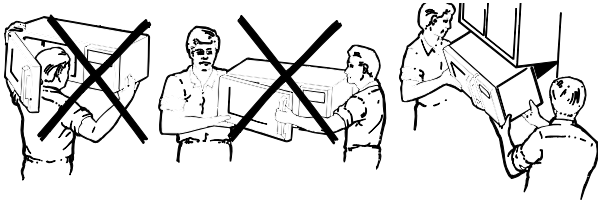
- 9 Una el adaptador de escape a la parte posterior del horno deslizándolo en las guías en el centro superior de la parte posterior del horno.



Empuje firmemente hasta que esté en las pestañas inferiores de bloqueo. Cerciñese de que la bisagra del regulador de tiro está instalada para que esté en la parte superior y para que el regulador de tiro gire libremente. Vuelva a instalar el tornillo original del motor del ventilador a través del adaptador y en la parte posterior del microondas.

Instrucciones de instalación

B6. CÓMO MONTAR EL HORNO MICROONDAS



PARA OBTENER UNA INSTALACIÓN MÁS FÁCIL Y EN POS DE LA SEGURIDAD PERSONAL, SE RECOMIENDA QUE DOS PERSONAS INSTALEN ESTE HORNO MICROONDAS.

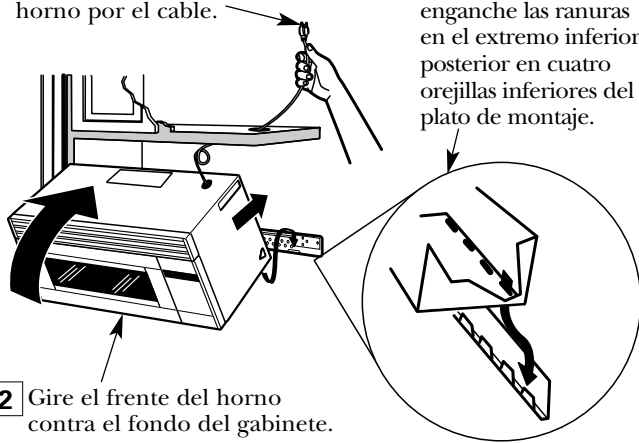
NOTA: Si su gabinete es de metal, use la arandela de nilón alrededor del cable eléctrico para evitar que el mismo sea cortado.

NOTA: Recomendamos el uso de bloques de relleno si el frente del gabinete cuelga por debajo del estante del fondo del gabinete.

IMPORTANTE: Si no se usan bloques de relleno, podrían ocurrir daños por apretar demasiado los tornillos.

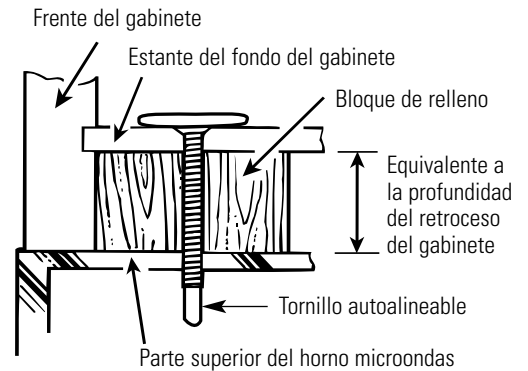
NOTA: Cuando se encuentre montando el horno microondas, enrosque el cable eléctrico a través del agujero en el fondo del gabinete superior. Manténgalo tenso a través de los Pasos del 1-3. No pellizque el cable ni tire del horno por el cable.

1 Levante el horno microondas, inclínelo hacia adelante y enganche las ranuras en el extremo inferior posterior en cuatro orejillas inferiores del plato de montaje.

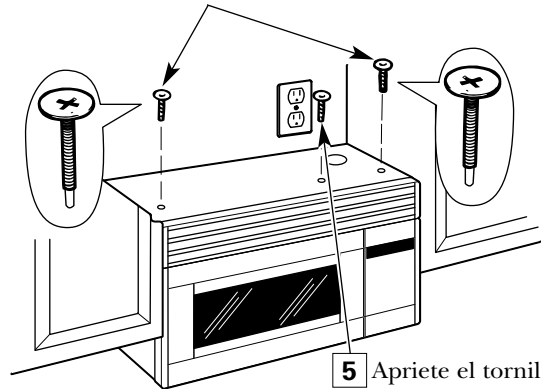


2 Gire el frente del horno contra el fondo del gabinete.

3 Inserte un tornillo de autoalineación a través del agujero central superior del gabinete. Asegure el horno temporalmente girando el tornillo por lo menos **dos vueltas completas** después de que las roscas hayan agarrado. (Luego quedarán totalmente apretadas). **Cerciórese de mantener el cable eléctrico estirado.** Tenga cuidado de no pellizcar el cable, especialmente cuando se monte al nivel del fondo del gabinete.

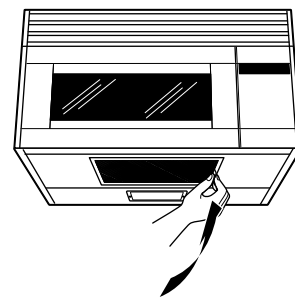


4 Inserte 2 tornillos autoalineables a través de los agujeros exteriores superiores del horno. Gire dos vueltas completas en cada tornillo.



5 Apriete el tornillo del centro completamente.

6 Apriete los dos tornillos exteriores hacia la parte superior del horno microondas. (Mientras aprieta los tornillos, mantenga el horno microondas en su lugar contra la pared y el gabinete superior.)



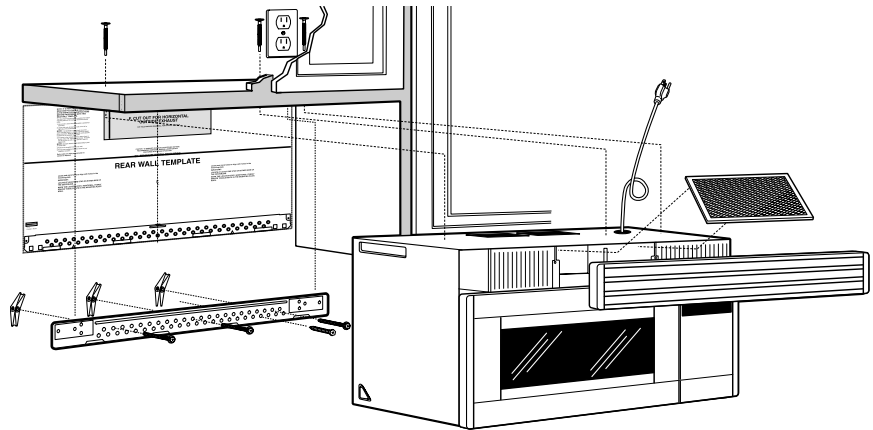
7 Instale el filtro de grasa. Ver el Manual del Propietario que viene con el horno microondas.

Instrucciones de instalación

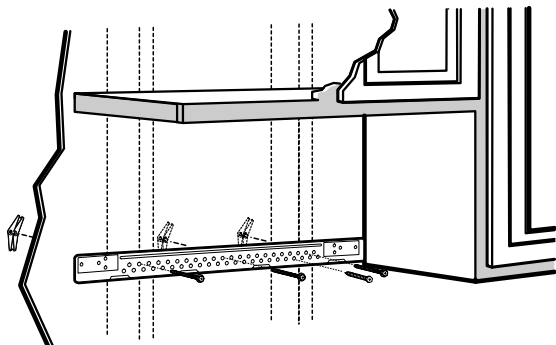
C RECIRCULACIÓN (Sin conducto de ventilación)

PERSPECTIVA GENERAL DE LA INSTALACIÓN

- C1. Pegue el plato de montaje a la pared
- C2. Prepare el gabinete superior
- C3. Inspeccione la ensambladura del microondas
- C4. Adapte el ventilador para recirculación
- C5. Monte el horno microondas
- C6. Instale el filtro de carbonilla



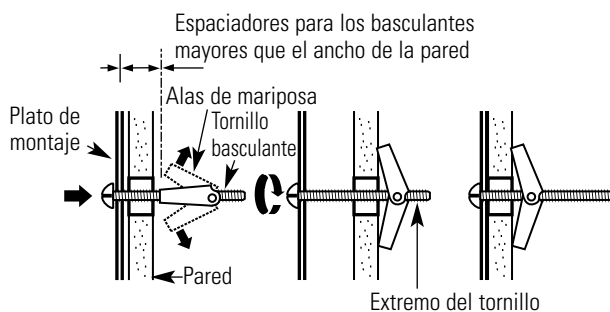
C1. CÓMO ADHERIR EL PLATO DE MONTAJE A LA PARED



Remueva la plantilla desde la pared posterior. El plato de montaje se debe asegurar a la pared usando como mínimo 3 tornillos basculantes y un tornillo de madera. El tornillo de madera debe sostener un poste de viga de pared.

- 1 Remueva las alas de mariposa de los tornillos.
- 2 Inserte los tornillos en el plato de montaje a través de los agujeros diseñados para ser insertados en la pared de mampostería seca y pegue otra vez las mariposas de $\frac{3}{4}$ " en cada tornillo.

Para usar los tornillos basculantes:



- 3 Coloque el plato de montaje contra la pared e inserte las alas de mariposa en los agujeros de la pared para montar el plato.

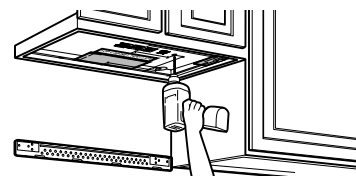
NOTA: Antes de apretar los tornillos basculantes y los tornillos de madera, verifique nuevamente para cerciorarse de que el plato de montaje esté nivelado y centrado de izquierda a derecha.

PRECAUCIÓN: Tenga cuidado de evitar pellizcar sus dedos entre la parte posterior del plato de montaje y la pared.

- 4 Apriete todos los tornillos. Tire del plato en dirección opuesta a la pared para ayudar a apretar los tornillos. Tenga cuidado de no apretar en exceso los tornillos basculantes.

C2. USE LA PLANTILLA DE GABINETE SUPERIOR PARA LA PREPARACIÓN DEL GABINETE SUPERIOR

La plantilla del gabinete superior le ayudará a localizar los orificios de los tornillos para el soporte superior y el corte para el cable eléctrico.



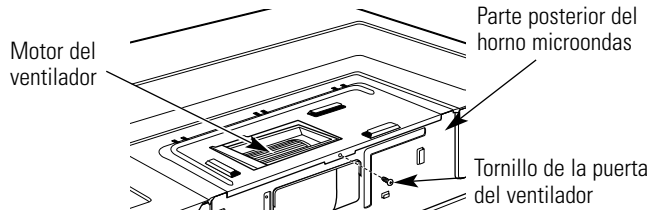
- Lea las instrucciones sobre la PLANTILLA DEL GABINETE SUPERIOR.
- Péguela debajo del gabinete superior.
- Taladre un agujero, siguiendo las instrucciones en la PLANTILLA DEL GABINETE SUPERIOR.

PRECAUCIÓN: Use gafas de seguridad cuando perforo los agujeros en el fondo del gabinete.

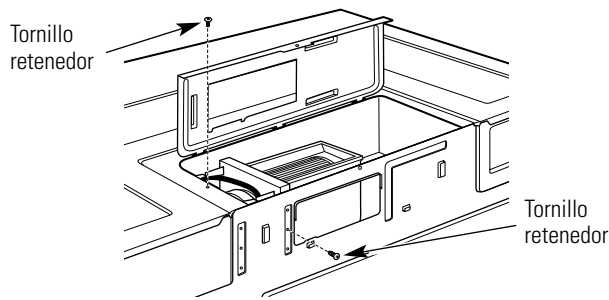
Instrucciones de instalación

C3. CÓMO ADAPTAR EL VENTILADOR DEL MICROONDAS PARA LA RECIRCULACIÓN

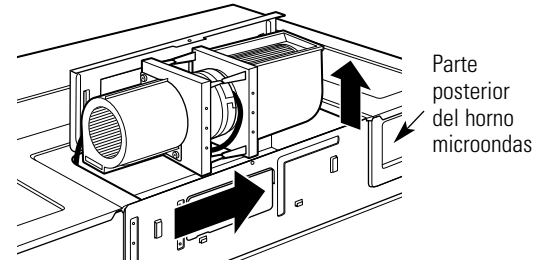
- 1 Remueva el tornillo en el centro superior de la parte posterior del horno que sostiene la puerta del motor del ventilador.



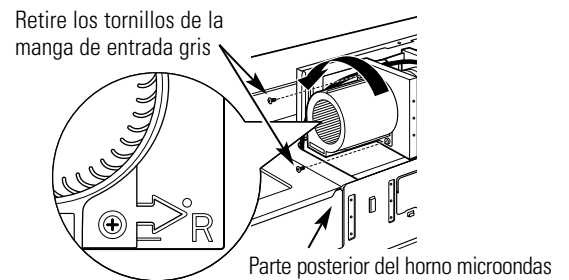
- 2 Abra la puerta del ventilador levantándola hacia arriba en el costado posterior del microondas. Retire y guarde los tornillos retenedores superior y posterior que sostienen el motor del ventilador en el microondas.



- 3 Con cuidado deslice el motor del ventilador hacia la derecha, y levántelo parcialmente hacia fuera de la abertura. **Nota:** Los cables del ventilador tienen suficiente longitud para permitir un manejo flexible mientras realiza estos pasos. Desconecte los cables únicamente si es necesario para flexibilidad adicional.

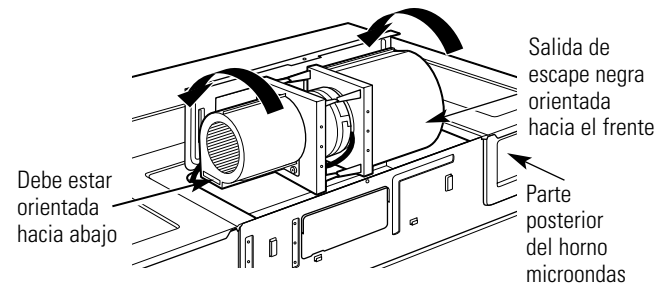


- 4 Retire los dos tornillos que sostienen la manga de entrada de color gris hacia la unidad del ventilador. Rote la manga gris como se muestra hasta que la flecha gris se alinee con el escape recirculante "R". Vuelva a instalar los dos tornillos.



- 5 Ruede la unidad del ventilador armada de manera que la salida de escape de color negro esté orientada hacia el frente del microondas y la manga de entrada de color gris esté orientada hacia abajo.

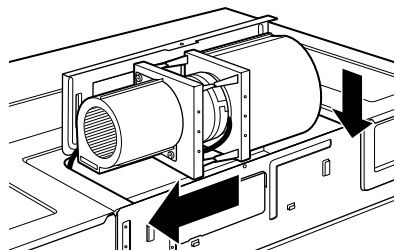
NOTA: La abertura de la manga de color gris debe SIEMPRE estar orientada hacia abajo para garantizar la operación adecuada del microondas.



Instrucciones de instalación

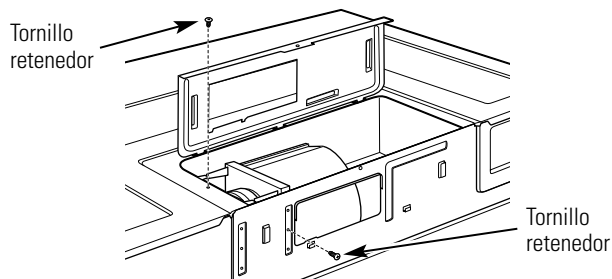
C3. CÓMO ADAPTAR EL VENTILADOR DEL MICROONDAS PARA LA RECIRCULACIÓN (cont.)

- 6 Incline y coloque la unidad del ventilador de nuevo en la abertura en la parte superior del microondas.



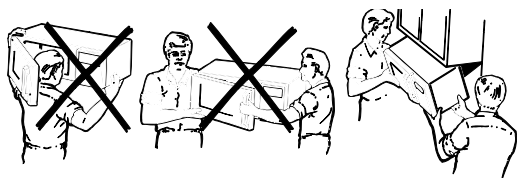
PRECAUCIÓN: No tire ni estire los cables del ventilador. Cerciñese de que los alambres no están pellizcados.

- 7 Asegure la unidad del ventilador al microondas con los tornillos removidos en el paso 2.



- 8 Cierre la cubierta del ventilador y asegure con el tornillo removido en el paso 1.

C4. CÓMO MONTAR EL HORNO MICROONDAS



PARA OBTENER UNA INSTALACIÓN MÁS FÁCIL Y EN POS DE LA SEGURIDAD PERSONAL, SE RECOMIENDA QUE **DOS PERSONAS INSTALEN ESTE HORNO MICROONDAS.**

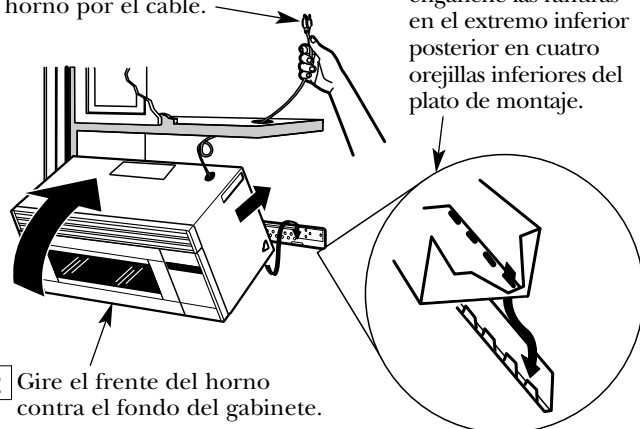
NOTA: Si su gabinete es de metal, use la arandela de nilón alrededor del cable eléctrico para evitar que el mismo sea cortado.

NOTA: Recomendamos el uso de bloques de relleno si el frente del gabinete cuelga por debajo del estante del fondo del gabinete.

IMPORTANTE: Si no se usan bloques de relleno, podrían ocurrir daños por apretar demasiado los tornillos.

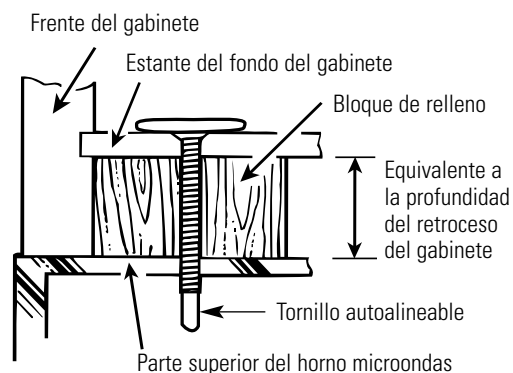
NOTA: Cuando se encuentre montando el horno microondas, enrosque el cable eléctrico a través del agujero en el fondo del gabinete superior. Manténgalo tenso a través de los Pasos del 1-3. No pellizque el cable ni tire del horno por el cable.

- 1 Levante el horno microondas, inclínelo hacia adelante y enganche las ranuras en el extremo inferior posterior en cuatro orejillas inferiores del plato de montaje.



- 2 Gire el frente del horno contra el fondo del gabinete.

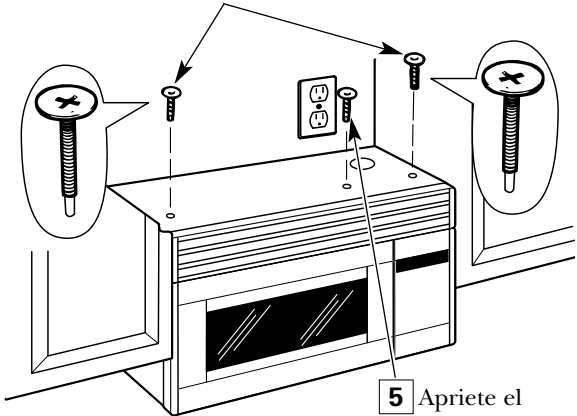
- 3 Inserte un tornillo de autoalineación a través del agujero central superior del gabinete. Asegure el horno temporalmente girando el tornillo por lo menos **dos vueltas completas** después de que las roscas hayan agarrado. (Luego quedarán totalmente apretadas). **Cerciñese de mantener el cable eléctrico estirado. Tenga cuidado de no pellizcar el cable, especialmente cuando se monte al nivel del fondo del gabinete.**



Instrucciones de instalación

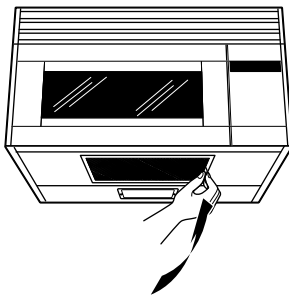
C4. CÓMO MONTAR EL HORNO MICROONDAS (cont.)

- 4** Inserte 2 tornillos autoalineables a través de los agujeros exteriores superiores del horno. Gire dos vueltas completas en cada tornillo.



- 5** Apriete el tornillo del centro completamente.

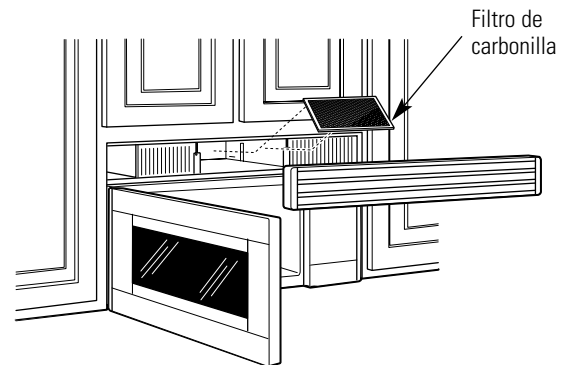
- 6** Apriete los dos tornillos exteriores hacia la parte superior del horno microondas. (Mientras aprieta los tornillos, mantenga el horno microondas en su lugar contra la pared y el gabinete superior.)



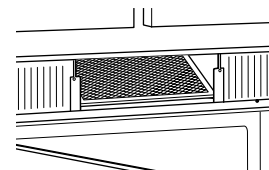
- 7** Instale el filtro de grasa. Ver el Manual del Propietario que viene con el horno microondas.

C5. CÓMO INSTALAR EL FILTRO DE CARBONILLA

- 1** Remueva los 3 tornillos del borde superior frontal usando un destornillador de estrella #1.
- 2** Abra la puerta.
- 3** Remueva la rejilla deslizándola hacia la izquierda y luego halándola hacia fuera.



- 4** Instale el filtro de carbonilla. El filtro descansará en un ángulo sobre dos pestañas de apoyo lateral. Cuando está instalado correctamente, la malla del filtro debería estar visible desde el frente.



Inserte la malla hacia arriba

- 5** Reemplace la rejilla y los tornillos.
- 6** Cierre la puerta.

Instrucciones de instalación

ANTES DE COMENZAR A USAR SU HORNO MICROONDAS

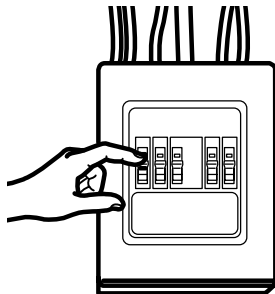
- 1.** Cerciórese de que el horno ha sido instalado de acuerdo con las instrucciones.



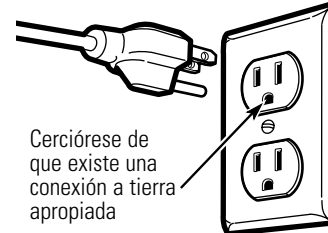
- 2.** Remueva todos los materiales de embalaje del horno microondas.

- 3.** Instale el aro rotatorio y con ruedas en la cavidad.

- 4.** Reemplace el fusible de la casa o encienda de nuevo el interruptor.

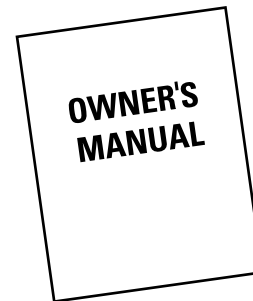


- 5.** Enchufe el cable eléctrico en un tomacorriente exclusivo de 15 a 20 amperios.

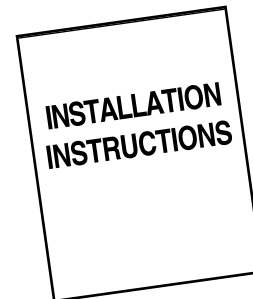


Cerciórese de que existe una conexión a tierra apropiada

- 6.** Lea el Manual del Propietario.



- 7.** GUARDE ESTAS INSTRUCCIONES PARA EL USO DEL INSPECTOR LOCAL.



39-40449

03-05 JR

Impreso en Malasia

DE68-02957A