

ZEPHYR

WWW.ZEPHYRONLINE.COM

Breeze I

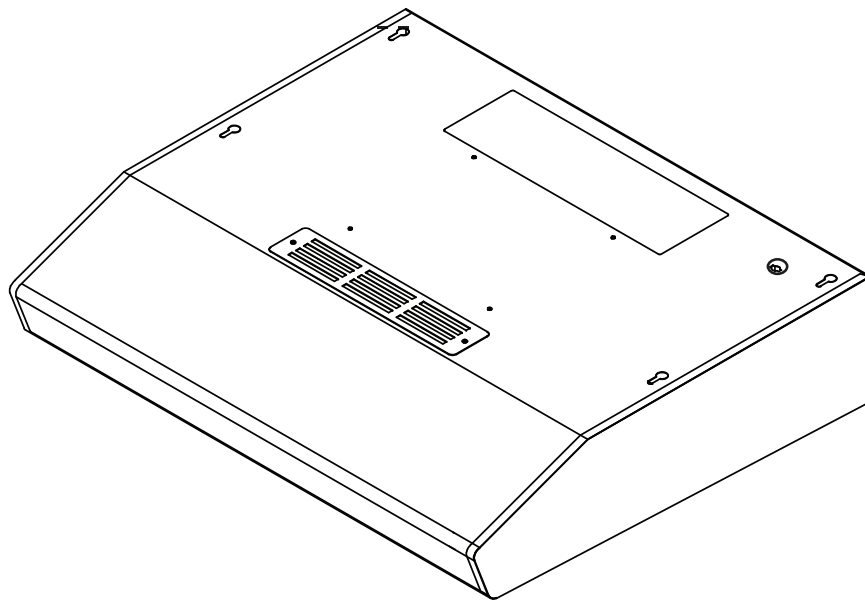
AK1124Bx, AK1100Bx, AK1136Bx

Breeze II

AK1200Bx, AK1236Bx

EN Use, Care, and Installation Guide

FR Guide d'utilisation, d'entretien et d'installation



	Page
Safety Information	4-9
Types of Safety Warnings.....	4
General Safety	5-8
Operation	8
Electrical Requirements	8-9
List of Materials.....	10
Installation Instructions.....	11-20
Ducting Calculation Sheet.....	11
Mounting Height, Clearance, & Ducting	12-13
Ducting Options	14
Hood Specifications.....	15
Electrical Supply.....	16
Cable Lock	16
Installation Preparation	17
Air Recirculating Mode Conversion	18-19
Mounting the Hood.....	20
Features & Controls.....	21
Maintenance	22-24
Hood & Filter Cleaning.....	22-23
LumiLight LED & LED Light Strip	24
Wiring Diagram	25
Troubleshooting.....	26
List of Parts & Accessories	27
Notes.....	28
Limited Warranty	29
Product Registration.....	30



Safety Information



Your safety and the safety of others are very important.

We have provided many important safety messages in this manual for your appliance. Always read and obey all safety messages.



This is the Safety Alert Symbol. This symbol alerts you to potential hazards that can cause severe bodily injury or death. All safety messages will follow the Safety Alert Symbol and either the words “DANGER” “WARNING” or “CAUTION”

	DANGER	
Danger means that failure to heed this safety statement may result in severe injury or death.		

	WARNING	
Warning means that failure to heed this safety statement may result in extensive product damage, serious personal injury, or death.		

	CAUTION	
Caution means that failure to heed this safety statement may result in minor or moderate personal injury, property or equipment damage.		

READ AND SAVE THESE INSTRUCTIONS

General Safety



WARNING - TO REDUCE THE RISK OF FIRE, ELECTRIC SHOCK, OR INJURY TO PERSONS, OBSERVE THE FOLLOWING:

- a) Use this unit only in the manner intended by the manufacturer. If you have questions, contact the manufacturer.
- b) Before servicing or cleaning unit, switch power off at service panel and lock the service disconnecting means to prevent power from being switched on accidentally. When the service disconnecting means cannot be locked, securely fasten a prominent warning device, such as a tag, to the service panel.



Safety Information

READ AND SAVE THESE INSTRUCTIONS



WARNING - TO REDUCE THE RISK OF A RANGE TOP GREASE FIRE:

- a) Never leave surface units unattended at high settings. Boilovers cause smoking and greasy spillovers that may ignite. Heat oils slowly on low or medium settings.
- b) Always turn hood ON when cooking at high heat or when flambeing food. (i.e. Crepes Suzette, Cherries Jubilee, Peppercorn Beef Flambe’).
- c) Clean ventilating fans frequently. Grease should not be allowed to accumulate on fan or filter.
- d) Use proper pan size. Always use cookware appropriate for the size of the surface element.



WARNING - TO REDUCE THE RISK OF INJURY TO PERSONS IN THE EVENT OF A RANGE TOP GREASE FIRE, OBSERVE THE FOLLOWING^a:

- a) SMOTHER FLAMES with a close-fitting lid, cookie sheet, or metal tray, then turn off the burner. BE CAREFUL TO PREVENT BURNS. If the flames do not go out immediately, EVACUATE AND CALL THE FIRE DEPARTMENT.
- b) NEVER PICK UP A FLAMING PAN – You may be burned.
- c) DO NOT USE WATER, including wet dishcloths or towels – a violent steam explosion will result.
- d) Use an extinguisher ONLY if:
 - 1) You know you have a Class ABC extinguisher, and you already know how to operate it.
 - 2) The fire is small and contained in the area where it started.
 - 3) The fire department is being called.
 - 4) You can fight the fire with your back to an exit

^aBased on “Kitchen Firesafety Tips” published by NFPA.

READ AND SAVE THESE INSTRUCTIONS

WARNING - TO REDUCE THE RISK OF FIRE, ELECTRIC SHOCK, OR INJURY TO PERSONS, OBSERVE THE FOLLOWING:

- a) Installation work and electrical wiring must be done by qualified person(s) in accordance with all applicable codes and standards, including fire-rated construction.
- b) Sufficient air is needed for proper combustion and exhausting of gases through the flue (chimney) of fuel burning equipment to prevent back drafting. Follow the heating equipment manufacturer's guideline and safety standards such as those published by the National Fire Protection Association (NFPA), and the American Society for Heating, Refrigeration and Air Conditioning Engineers (ASHRAE), and the local code authorities.
- c) When cutting or drilling into wall or ceiling, do not damage electrical wiring and other hidden utilities.
- d) Ducted fans must always be vented to the outdoors.
- e) If this unit is to be installed over a tub or shower, it must be marked as appropriate for the application and be connected to a GFCI (Ground Fault Circuit Interrupter) - protected branch circuit.



Safety Information

READ AND SAVE THESE INSTRUCTIONS



- ▶ To reduce risk of fire and to properly exhaust air outside, do not vent exhaust air into spaces within walls, ceilings, attics, crawl spaces, or garages.
- ▶ Not for use over an outdoor grill.
- ▶ For indoor use only.
- ▶ Do not use over cooking equipment greater than 60,000 BTU/hr.
- ▶ This hood is not intended to be used as a shelf.

Operation

- ▶ Always leave safety grilles and filters in place. Without these components, operating blowers could catch onto hair, fingers and loose clothing.
- ▶ The manufacturer declines all responsibility in the event of failure to observe the instructions given here for installation, maintenance and suitable use of the product. The manufacturer further declines all responsibility for injury due to negligence and the warranty of the unit automatically expires due to improper maintenance.

NOTE: Please check www.zephyronline.com for revisions before doing any custom work.

Electrical Requirements

Important:

Observe all governing codes and ordinances.

It is the customer's responsibility to be aware of these below:

- ▶ To contact a qualified electrical installer.
- ▶ To assure that the electrical installation is adequate and in conformance with National Electrical Code, ANSI/NFPA 70 latest edition* or CSA standards C22.1-94, Canadian Electrical Code, Part 1 and C22.2 No.0-M91 - latest edition** and all local codes and ordinances.

READ AND SAVE THESE INSTRUCTIONS

- ▶ If codes permit and a separate ground wire is used, it is recommended that a qualified electrician determine that the ground path is adequate.
- ▶ Do not ground to a gas pipe.
- ▶ Check with a qualified electrician if you are not sure the range hood is properly grounded.
- ▶ Do not have a fuse in the neutral or ground circuit.
- ▶ This appliance requires a 120V 60Hz electrical supply and connected to an individual properly grounded branch circuit protected by a 15 or 20 ampere circuit breaker or time delay fuse. Wiring must be 2 wire with ground. Please also refer to Electrical Diagram on product.
- ▶ A cable locking connector (not supplied) might also be required by local codes. Check with local requirements, purchase and install appropriate connector if necessary.

* National Fire Protection Association Batterymarch Park, Quincy, Massachusetts 02269

** CSA International 8501 East Pleasant Valley Road, Cleveland, Ohio 44131-5575



WARNING

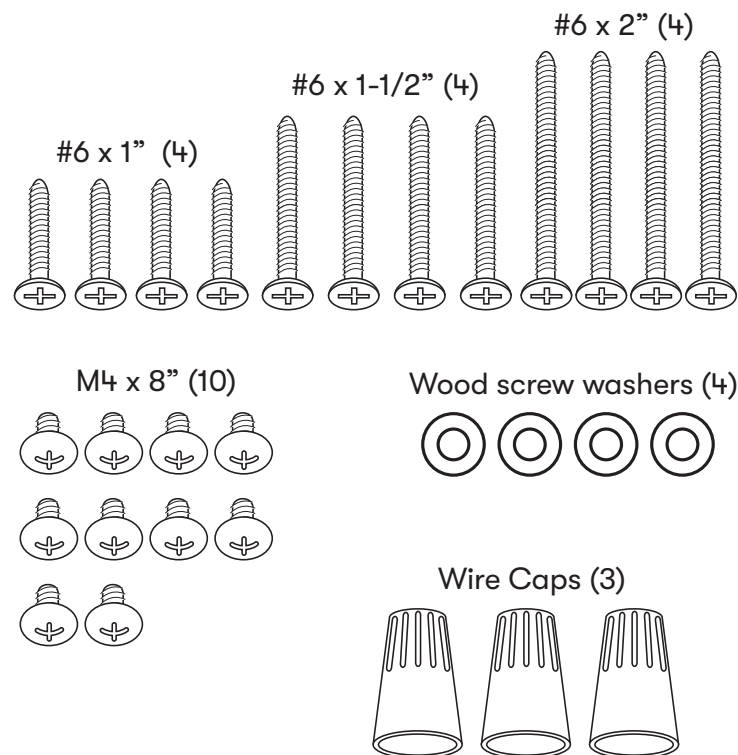


Prop. 65 Warning for California Residents: This product may contain chemicals known to the State of California to cause cancer, birth defects, or other reproductive harm.

List of Materials

Parts Supplied

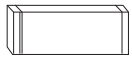

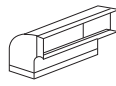
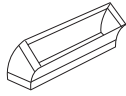
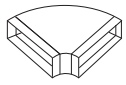
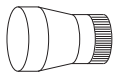
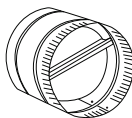
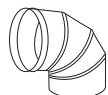
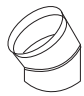
Quantity	Part
1	Hood
2	Aluminum mesh filters
2	LumiLight LED, 6W (Breeze I only)
1	LED Light Strip, 5W (Breeze II only)
1	3-1/4"x10" rectangular starting collar with damper (located inside hood body)
1	Hardware package



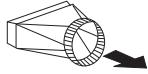
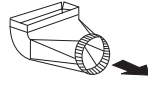
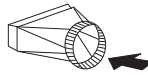
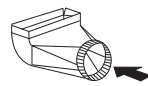
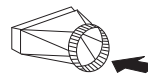
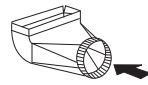
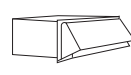
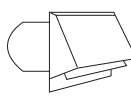

Parts Not Supplied

Ducting, conduit and all installation tools
Cable locking connector (if required by local codes)
Duct cover extension kit (OAK11-21001)

Ducting Calculation Sheet

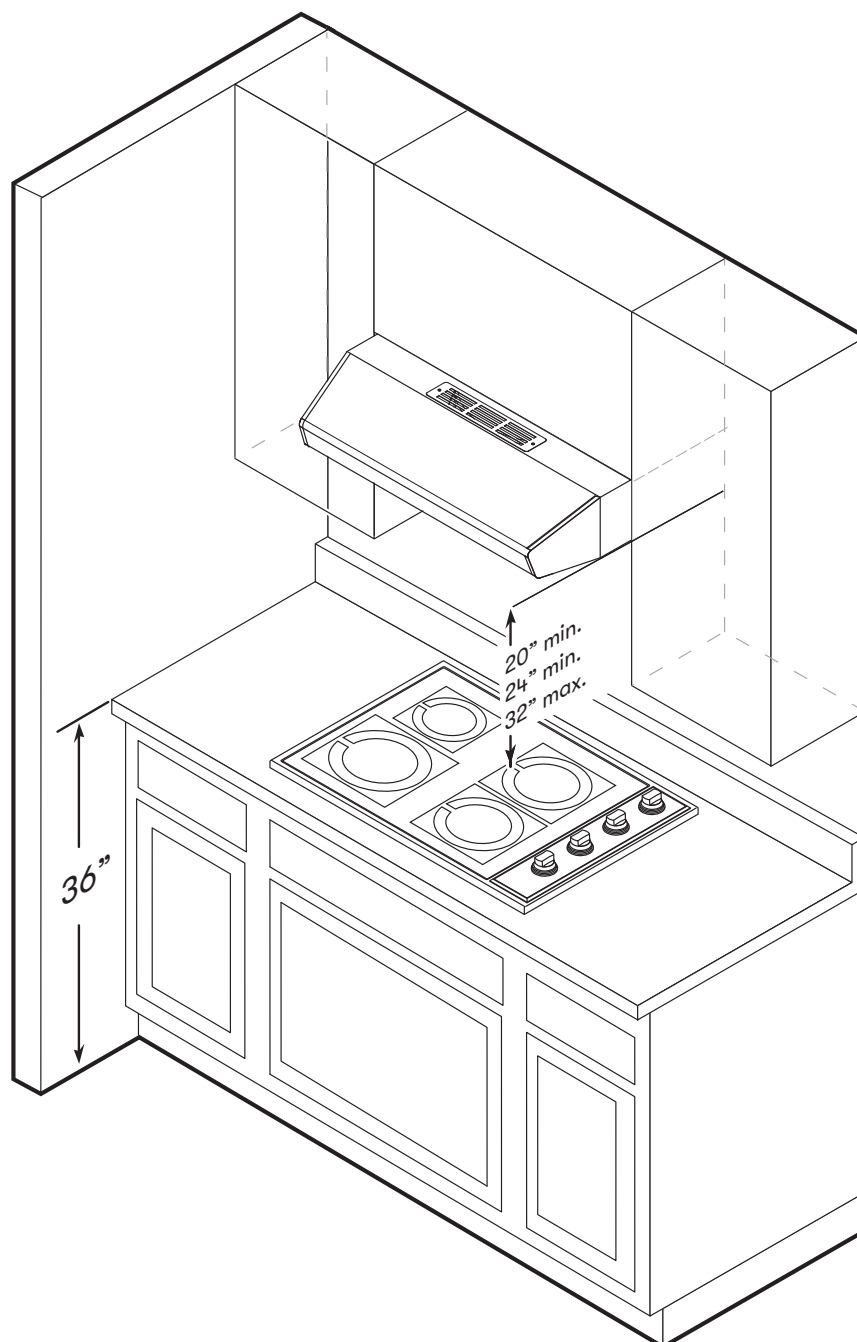
Duct pieces		Equivalent number length x used =	Total
	3-1/4" x 10" Rect., straight	1 Ft. x () =	Ft.
	6", 7", 8", 10" Round, straight	1 Ft. x () =	Ft.
	3-1/4" x 10" Rect. 90° elbow	15 Ft. x () =	Ft.
	3-1/4" x 10" Rect. 45° elbow	9 Ft. x () =	Ft.
	3-1/4" x 10" Rect. 90° flatelbow	24 Ft. x () =	Ft.
	7" to 6" or 8" to 7" Round tapered reducer	25 Ft. x () =	Ft.
	6", 7", 8" Round in-line damper	15 Ft. x () =	Ft.
	6", 7", 8", 10" Round, 90° elbow	15 Ft. x () =	Ft.
	6", 7", 8", 10" Round, 45° elbow	9 Ft. x () =	Ft.
Subtotal column 1 =			Ft.

Maximum Duct Length: For satisfactory air movement, the total duct length should not exceed 150 equivalent feet.

Duct pieces		Equivalent number length x used =	Total
	3-1/4" x 10" Rect. to 6" round transition	5 Ft. x () =	Ft.
	3-1/4" x 10" Rect. to 6" round transition 90° elbow	20 Ft. x () =	Ft.
	6" round to 3-1/4" x 10" rect. transition	1 Ft. x () =	Ft.
	6" round to 3-1/4" x 10" rect. transition 90° elbow	16 Ft. x () =	Ft.
	7" round to 3 1/4" x 10" rect. transition	8 Ft. x () =	Ft.
	7" round to 3-1/4" x 10" rect. transition 90° elbow	23 Ft. x () =	Ft.
	3-1/4" x 10" Rect. wall cap with damper	30 Ft. x () =	Ft.
	6", 7", 8", 10" Round, wall cap with damper	30 Ft. x () =	Ft.
	6", 7", 8", 10" Round roof cap	30 Ft. x () =	Ft.
Subtotal column 2 =			Ft.
Subtotal column 1 =			Ft.
Total ductwork =			Ft.

Installation Instructions

Mounting Height, Clearance, & Ducting



NOTE: The Breeze I minimum mount height for electric cook tops is 20", but is 24" for gas cook tops. The Breeze II minimum mount height for both electric and gas cook tops is 24". The maximum mount height for both Breeze I and Breeze II is 32" for both electric and gas cook tops.

Mounting Height, Clearance, & Ducting

A minimum 3-1/4"x10" rectangular duct for either vertical ducting or horizontal ducting must be used to maintain maximum air flow efficiency.

Always use rigid type metal ducts only. Flexible ducts could restrict air flow by up to 50%.

Use calculation worksheet to compute total available duct run when using elbows, transitions, and caps.

ALWAYS, when possible, reduce the number of transitions and turns. If a long duct run is required, increase duct size.

If turns or transitions are required: Install as far away from duct opening and as far apart between the two transitions as possible.

Breeze I: Minimum mount height between range top to hood bottom should be no less than 20" for electric cook tops and 24" for gas cook tops. Maximum mount height should be no higher than 32".

Breeze II: Minimum mount height between range top to hood bottom should be no less than 24" Maximum mount height should be no higher than 32".

It is important to install the hood at the proper mounting height. Hoods mounted too low could result in heat damage and fire hazard; while hoods mounted too high will be hard to reach and will lose performance and efficiency.

If available, also refer to range manufacturer's height clearance requirements and recommended hood mounting height above range. Always check your local codes for any differences.

For shipment and installation damages:

- ▶ Please fully inspect unit for damage before installation.
- ▶ If the unit is damaged in shipment, return the unit to the store in which it was bought for repair or replacement.
- ▶ If the unit is damaged by the customer, repair or replacement is the responsibility of the customer.
- ▶ If the unit is damaged by the installer (if other than the customer), repair or replacement must be made by arrangement between customer and installer.

Installation Instructions

Ducting Options

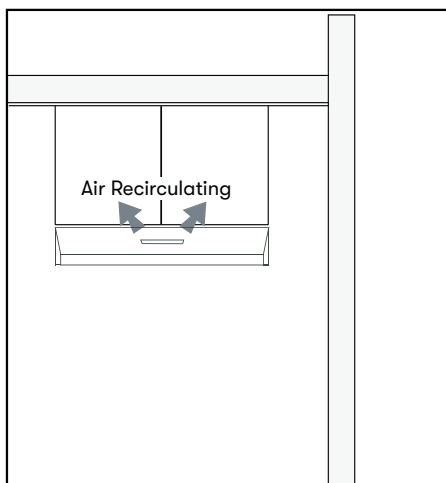
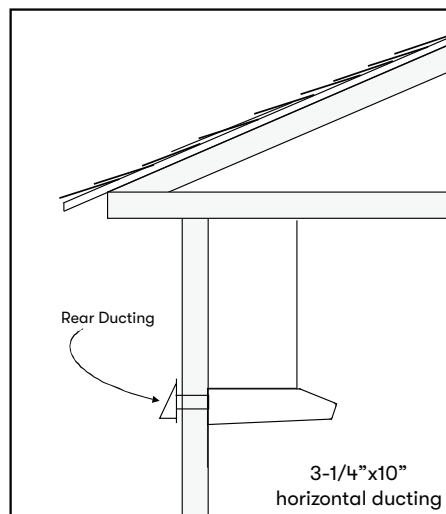
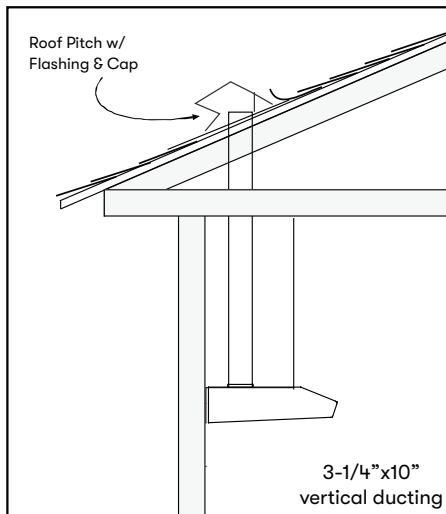


WARNING



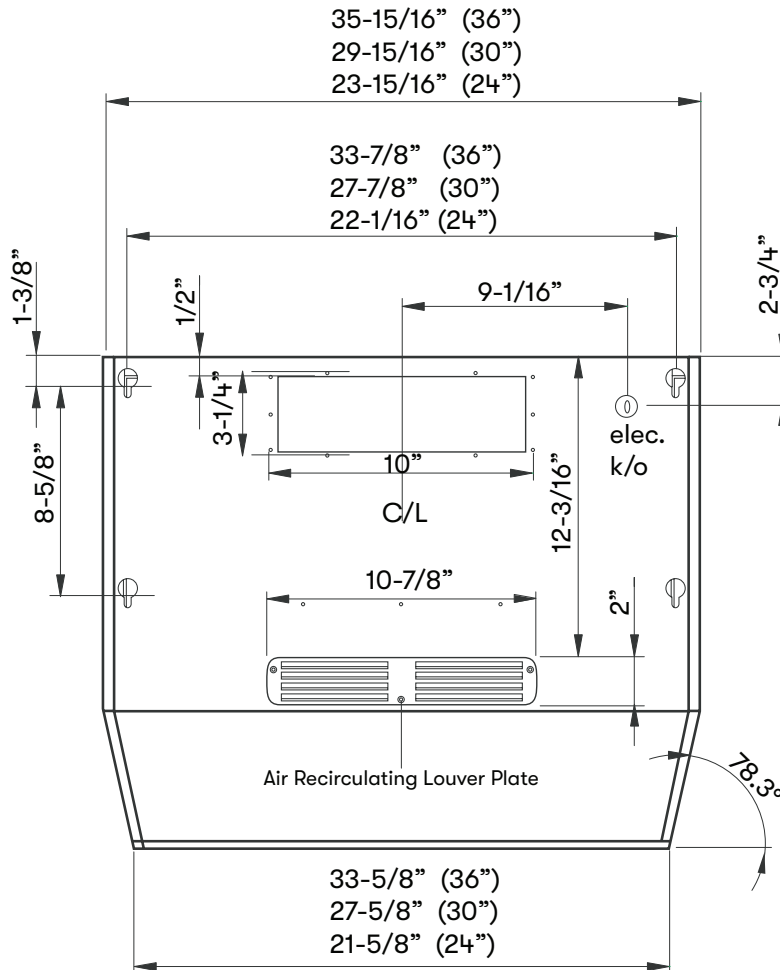
Fire Hazard: NEVER exhaust air or terminate ductwork into spaces between walls, crawl spaces, ceilings, attics, or garages. All exhaust must be ducted to the outside, unless using the recirculating option.

- ▶ Use single wall rigid metal ductwork only.
- ▶ Fasten all connections with sheet metal screws and tape all joints w/ certified Silver Tape or Duct Tape.

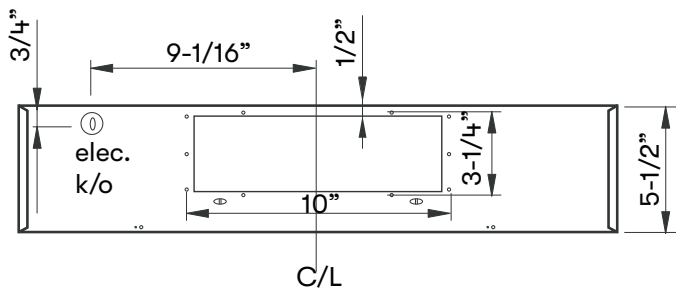


Hood Specifications

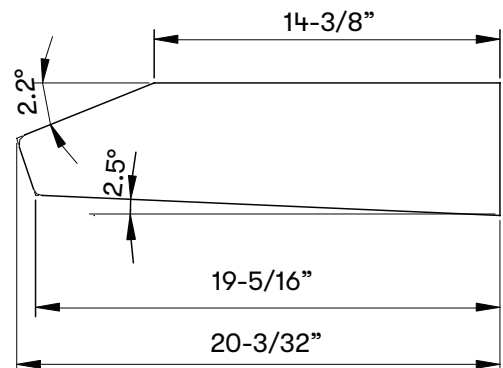
TOP



BACK




SIDE




Installation Instructions

Electrical Supply



WARNING



Electrical wiring must be done by qualified person(s) in accordance with all applicable codes and standards. Turn off electrical power at service entrance before wiring.

For personal safety, remove house fuse or open circuit breaker before beginning installation. Do not use extension cord or adapter plug with this appliance.

Follow national electrical codes or prevailing local codes and ordinances.

This appliance requires a 120V 60Hz electrical supply, and connected to an individual, properly grounded branch circuit, protected by a 15 or 20 ampere circuit breaker or time delay fuse. Wiring must be 2 wire w/ ground. Please also refer to the Electrical Diagram labeled on product.

Cable Lock

A cable locking connector (not supplied) might be required by local codes. Check with local requirements and codes, purchase and install appropriate connector if necessary. (FIG. A)

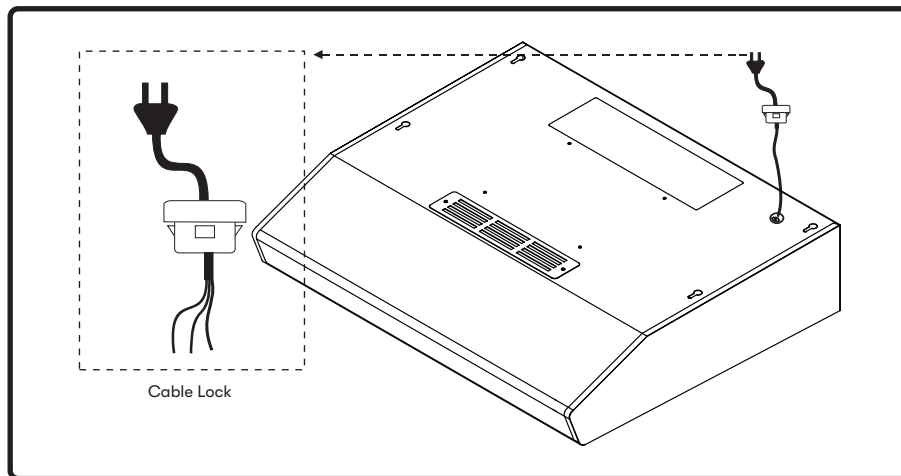
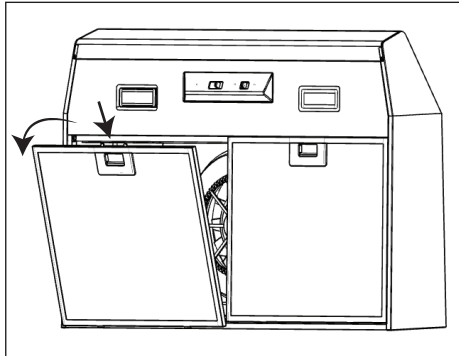
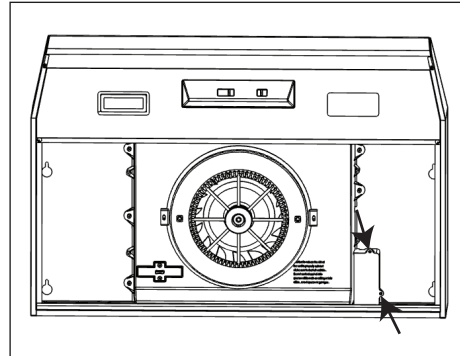


FIG. A

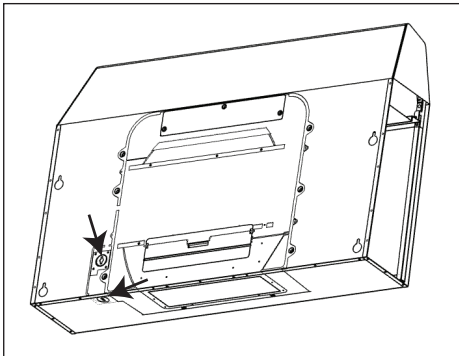
Installation Preparation



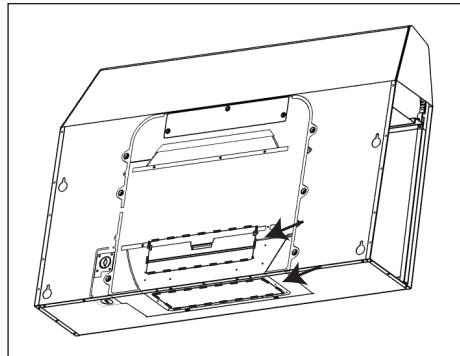
1. Remove filters



2. Remove cover from junction box by (2) screws to gain access to electrical wiring.

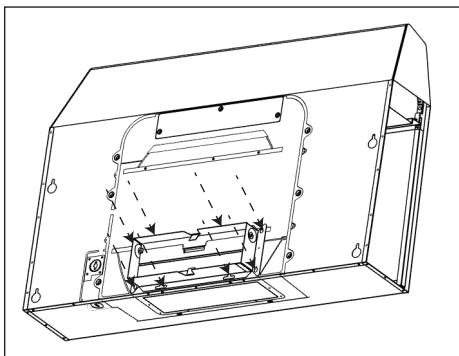


3. If using a cable lock, pry open the desired electrical knockout either on top or back of hood. Feed the wires through the cable lock. Some local codes require the use of a cable lock, check your local codes.



4. If using hood in air recirculating mode skip steps 4 and 5.

Pry open desired 3-1/4" x 10" ducting knock-out either on top or back of hood.



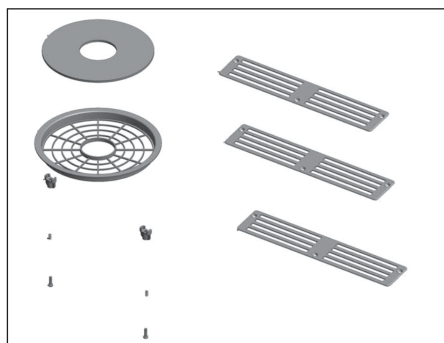
5. Secure 3-1/4" x 10" starting collar with damper to the duct opening using (10) M4x8" screws.

Note: starting collar is secured inside the hood to the left of the motor.

Installation Instructions

Air Recirculating Mode Conversion

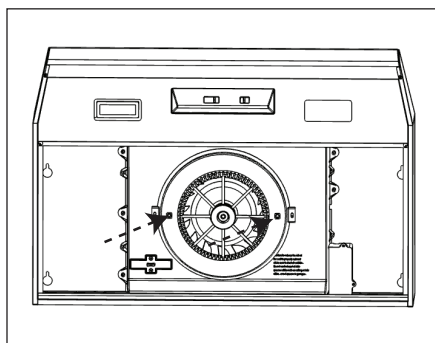
NOTE: Skip the recirculating preparation pages if you are ducting the air out of your home.



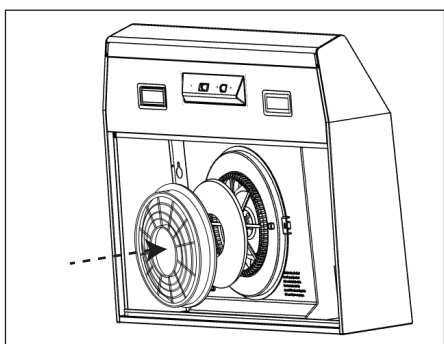
An air recirculating kit (optional) must be purchased before using hood in recirculating mode.

Recirculating kit - OAK11-21001

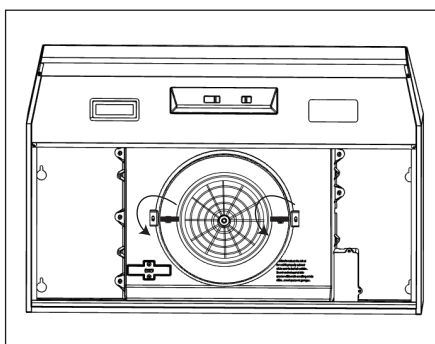
Replacement filter - OAK11-20001



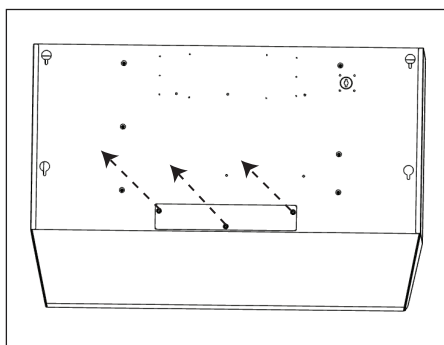
1. Secure each of the (2) spring clips to the safety grille body (A). Do this by inserting the screw through the spring and into the clip. Secure each clip to the safety grille body by using a philips head screwdriver.



2. Insert charcoal filter into charcoal filter holder and place it over the safety grille body



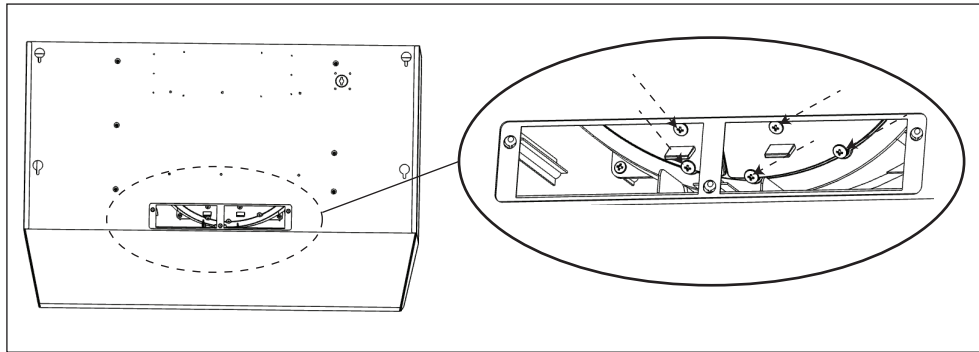
3. Secure charcoal filter holder to safety grill body by lifting up on spring clips and twisting. The clip should cover the lip of the charcoal filter holder securely.



4. Remove each screw from recirculating top plate. Plate is located on top of hood towards the front.

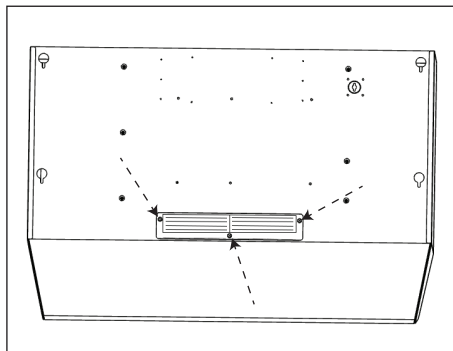
Air Recirculating Mode Conversion

NOTE: Skip this page if you are ducting the air out of your home.



5. Remove each of the 5 screws holding the (2) interior recirculating panels.

6. Remove (2) interior recirculating panels.



7. Place louvered recirculating plate over top opening and secure using the screws previously removed.

Installation Instructions

Mounting the Hood

Hood is designed for installation under a kitchen cabinet (FIG. B)

1. Select preferred duct location (vertical or horizontal) if ducting out of kitchen. Refer to page 14 for details.
2. Begin installation by removing the filters (if installed) and side spacer panels (36" models only). (FIG. C)
3. Reinforce cabinet with 1"x2" wood strips if additional strengthening is required or if cabinets are framed.
4. Temporarily position the range hood in the desired mounting location. Measure and mark the mounting holes, duct and electrical locations with a pencil.
5. Drill/cut out the required openings for duct and electrical access by following the dimensions on page 15; make sure the duct opening is large enough to apply duct tape.
6. Fasten hood onto cabinet with (4) #6 wood screws with washers provided.
7. Install electrical.
8. Install duct work and seal with duct tape.
9. Reinstall filters and side spacer panels (if applicable).
10. Power up hood and check for leaks around duct tape.
11. If recirculating the hood refer to page 18 and 19 for details.

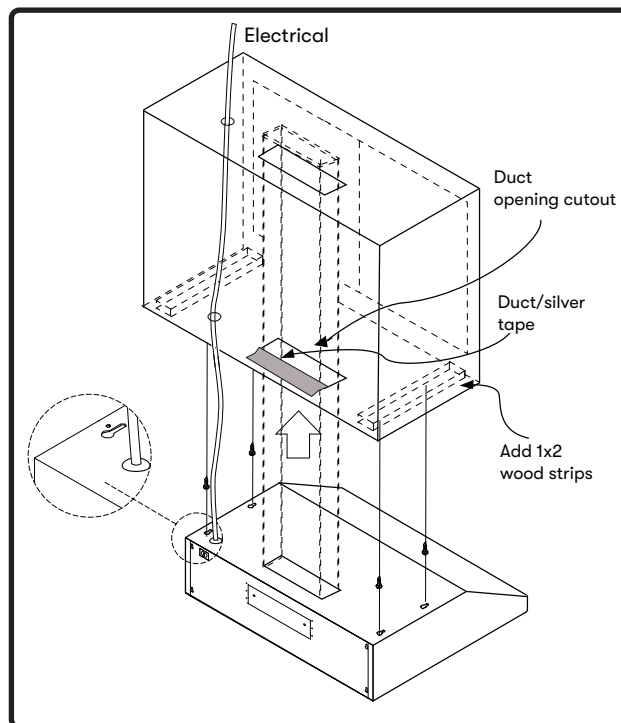


FIG. B

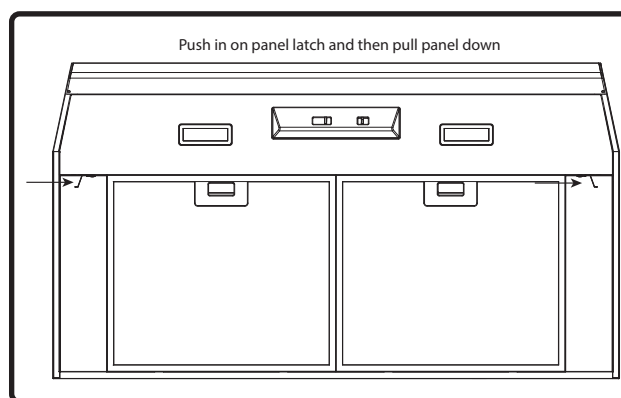
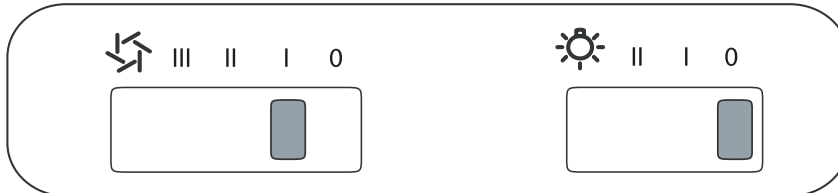


FIG. C

Breeze I, AK11xxBx

1 Blower On/Off/Speed Selection

2 Lights Off/Dim/Bright



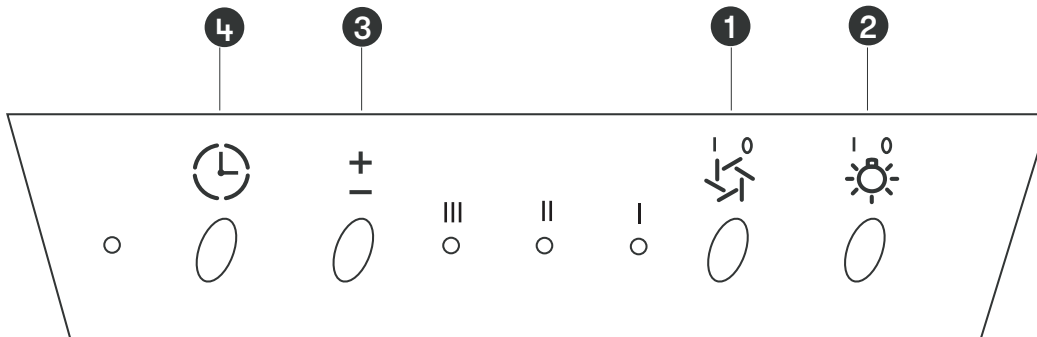
1 Blower On/Off/Speed Selection

This switch turns the blower on and off and controls the speed selection. 0 is off, I is low speed, II is medium speed and III is high speed.

2 Lights Off/Dim/Bright

0 is off, I is dim, II is bright.

Breeze II, AK12xxBx



1 On/Off

This button turns the motors on and off. It also shuts off power to the whole hood. If the lights are on and this button is pushed, they will also turn off.

2 Lamp

This button turns the lights on, off and also dims them. Press once to turn them on bright, again for dim and one more time to shut them off.

3 Speed

This button will change the speed setting of the motors. By pushing it you will change the speeds from high to medium to low.

4 Delay Off

This button will put the hood into delay off mode. When pushed, the hood will switch to the lowest speed and the entire hood will shut down all functions after 5 minutes.

Maintenance

Hood & Filter Cleaning

Surface Maintenance

- ▶ Do not use corrosive detergents, abrasive detergents or oven cleaners.
- ▶ Do not use any product containing chlorine bleach or any product containing chloride.
- ▶ Do not use steel wool or abrasive scrubbing pads which will scratch and damage surface.

Cleaning Stainless Steel

Clean periodically with warm soapy water and clean cotton cloth or micro fiber cloth. Always rub in the direction of the stainless steel grain. To remove heavier grease build up use a liquid degreaser detergent.

After cleaning use a non-abrasive stainless steel polish/cleaners, to polish and buff out the stainless luster and grain. Always scrub lightly, with clean cotton cloth or micro fiber cloth and buff in the direction of the stainless steel grain.

Cleaning Black Stainless Steel

Clean periodically with warm soapy water and clean cotton cloth or micro fiber cloth. To remove heavier grease build up use a liquid degreaser detergent.

Due to a built-in layer of protective anti-smudge coating, do not use stainless steel polish/cleaners to buff out black stainless steel.

Aluminum Mesh Filters

The aluminum mesh filters installed by the factory are intended to filter out residue and grease from cooking. They need not be replaced on a regular basis but are required to be kept clean.

Remove and clean by hand or in dishwasher using a non-phosphate detergent. Discoloration of the filter may occur if using phosphate detergents, or as a result of local water conditions - but this will not affect filter performance. This discoloration is not covered by the warranty. Spray degreasing detergent and leave to soak if heavily soiled.

Dry filters and re-install before using hood.

Removing Aluminum Mesh Filters (FIG. D):

1. Push in on filter handles.
2. Pivot front of filter downward.
3. Remove filter by pulling away from hood.

Replacing Aluminum Mesh Filters

Hood Model	Part Number	Qty. to Order
AK1124Bx	50200013	2
AK1100Bx / AK1136Bx	50200012	2
AK1200Bx / AK1236Bx	50200012	2

To order parts, visit us online at <http://store.zephyronline.com> or call us at 1.888.880.8368.

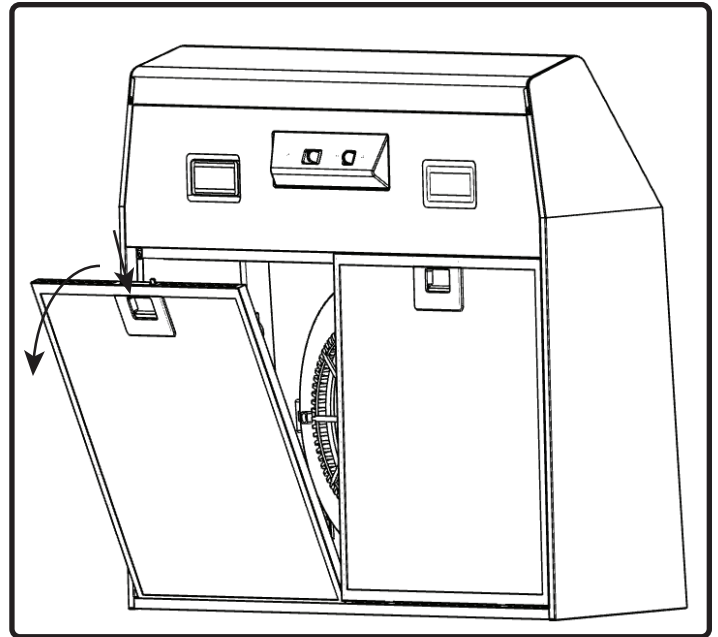


FIG. D

Maintenance

LumiLight LED & LED Light Strip

In the unlikely event that your LumiLight LED or LED light strip fails, please contact Zephyr to order replacement parts.

See the list of parts and accessories page for part numbers and contact information.

LED Removal (FIG. E & F):

1. Remove aluminum mesh filters.
2. Remove light panel by two screws.
3. Disconnect LED light quick connector.
4. Push in the two side clips on the ends of the LED light.
5. Push LED light through the light panel opening.

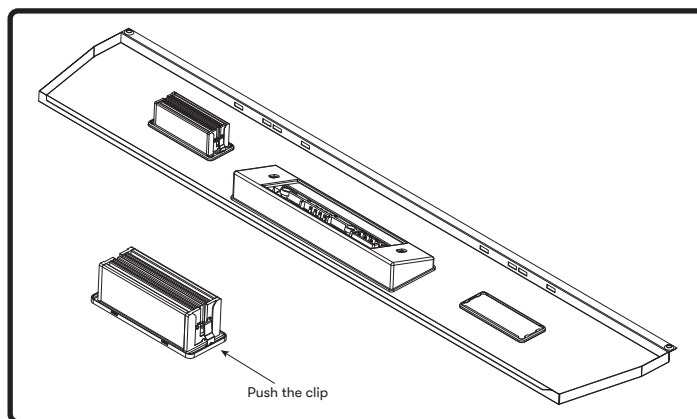


FIG. E

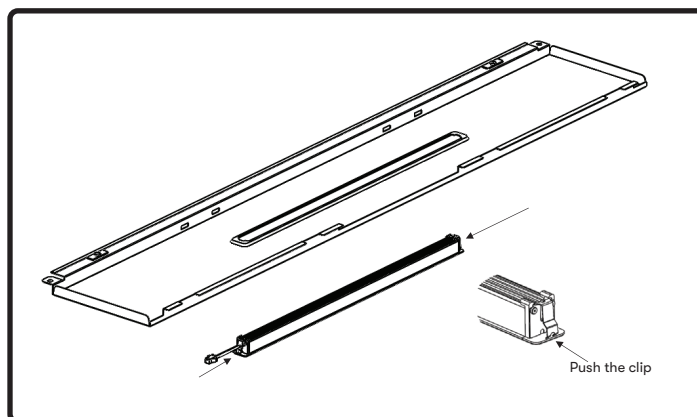


FIG. F

Model: AK1100Bx, AK1136Bx

Voltage: 120V 60Hz

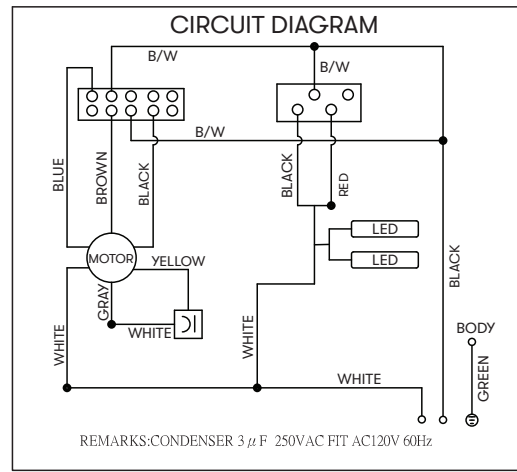
Power consumption

Total: 87W@08.A

Lamp: Max. 6Wx2

Fan: 75W

THERMALLY PROTECTED



Model: AK1124Bx

Voltage: 120V 60Hz

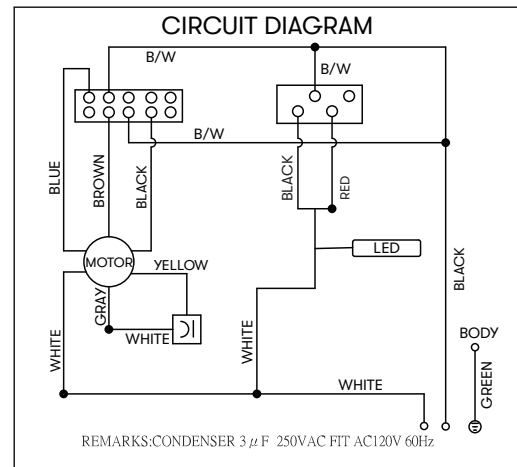
Power consumption

Total: 81W@08.A

Lamp: Max. 6W

Fan: 75W

THERMALLY PROTECTED



Model: AK1200Bx, AK1236Bx

Voltage: 120V 60Hz

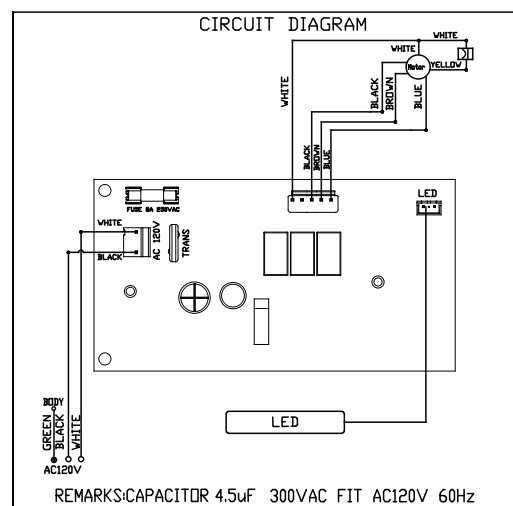
Power consumption

Total: 70W @0.8A

Lamp: 5W

Fan: 65W

THERMALLY PROTECTED



Troubleshooting

Possible Problem	Possible Cause	Solutions
After installation, the unit doesn't work.	The power source is not turned ON.	Make sure the circuit breaker and the unit's power is ON.
	The power line and the cable locking connector is not connecting properly.	Check the power connection with the unit is connected properly.
	The switch board or control board wirings are disconnected.	Make sure the wirings at the switch board and control board are connected properly.
	The switch board or control board is defective.	Change the switch board or control board.
Light works, but blower is not turning.	The blower cable is disconnected.	Connect the blower cable.
	Debris or obstruction in motor.	Remove the debris or obstruction.
	Motor defective or possibly seized.	Change the blower.
	Damaged capacitor.	Change the capacitor.
	The switch board or control board is defective.	Change defective part.
The unit is vibrating.	The blower is not secured in place.	Tighten the blower in place.
	Damaged blower wheel.	Replace the blower.
	The hood is not secured in place.	Check the installation of the hood.
The blower is working, but the lights are not.	The LED light connector is disconnected.	Connect the LED light connector.
	Defective LED light.	Change the LED light.
	The switch board or control board is defective.	Change the switch board or control board.
The hood is not venting out properly.	Using the wrong size of ducting.	Change the ducting to at least 3-1/4"x10" or higher.
	Using the wrong type of ducting. Flexible ducting can reduce air flow by up to 50%.	Change the ducting to solid rigid metal ducting.
	The hood might be hanging too high from the cook top.	Adjust the distance between the cook top and the bottom of the hood within 24" and 32" range.
	The wind from the opened windows or opened doors in the surrounding area are affecting the ventilation of the hood.	Close all the windows and doors to eliminate the outside wind flow.
	Blockage in the duct opening or ductwork.	Remove all the blocking from the duct work or duct opening.
The unit turns on by itself.	A spot light is shining directly onto the switch controls.	The switch controls are light sensitive. A direct light source onto the switch controls may disrupt switch functions.

Description	Part Number
Replacement Parts	
LumiLight LED, 6W	ZOB0049
LED Light Strip, 5W (each) (AK12xxBx Only)	ZOB0043
Metal Filter, 24" hoods (each)	50200013
Metal Filter, 30" and 36" hoods (each)	50200012
Optional Accessories	
Recirculating Kit	OAK11-21001
Replacement Charcoal Filters (2pk)	OAK11-20001

To order parts, visit us online at <http://store.zephyronline.com> or call us at 1.888.880.8368.

Notes

CORE

BREEZE I &
BREEZE II

UNDER-CABINET

**TO OBTAIN SERVICE UNDER WARRANTY OR FOR ANY SERVICE RELATED QUESTIONS, please call:
1-888-880-8368**

Zephyr Ventilation, LLC (referred to herein as “we” or “us”) warrants to the original consumer purchaser (referred to herein as “you” or “your”) of Zephyr products (the “Products”) that such Products will be free from defects in materials or workmanship as follows:

Three Year Limited Warranty for Parts: For three years from the date of your original purchase of the Products, we will provide, free of charge, Products or parts (including LED light bulbs, if applicable) to replace those that failed due to manufacturing defects subject to the exclusions and limitations below. We may choose, in our sole discretion, to repair or replace parts before we elect to replace the Products.

One Year Limited Warranty for Labor: For one year from the date of your original purchase of the Products, we will provide, free of charge, the labor cost associated with repairing the Products or parts to replace those that failed due to manufacturing defects subject to the exclusions and limitations below. After the first year from the date of your original purchase, you are responsible for all labor costs associated with this warranty.

Warranty Exclusions: This warranty covers only repair or replacement, at our option, of defective Products or parts and does not cover any other costs related to the Products including but not limited to: (a) normal maintenance and service required for the Products and consumable parts such as fluorescent, incandescent or halogen light bulbs, mesh and charcoal filters and fuses; (b) any Products or parts which have been subject to freight damage, misuse, negligence, accident, faulty installation or installation contrary to recommended installation instructions, improper maintenance or repair (other than by us); (c) commercial or government use of the Products or use otherwise inconsistent with its intended purpose; (d) natural wear of the finish of the Products or wear caused by improper maintenance, use of corrosive and abrasive cleaning products, pads, and oven cleaner products; (e) chips, dents or cracks caused by abuse or misuse of the Products; (f) service trips to your home to teach you how to use the Products; (g) damage to the Products caused by accident, fire, floods, acts of God; or (h) Custom installations or alterations that impact serviceability of the Products. If you are outside our service area, additional charges may apply for shipping costs for warranty repair at our designated service locations and for the travel cost to have a service technician come to your home to repair, remove or reinstall the Products. After the first year from the date of your original purchase, you are also responsible for all labor costs associated with this warranty. All Products must be installed by a qualified professional installer to be eligible for warranty repairs or service.

Limitations of Warranty. OUR OBLIGATION TO REPAIR OR REPLACE, AT OUR OPTION, SHALL BE YOUR SOLE AND EXCLUSIVE REMEDY UNDER THIS WARRANTY. WE SHALL NOT BE LIABLE FOR INCIDENTAL, CONSEQUENTIAL OR SPECIAL DAMAGES ARISING OUT OF OR IN CONNECTION WITH THE USE OR PERFORMANCE OF THE PRODUCTS. THE EXPRESS WARRANTIES IN THE PRECEDING SECTION ARE EXCLUSIVE AND IN LIEU OF ALL OTHER EXPRESS WARRANTIES. WE HEREBY DISCLAIM AND EXCLUDE ALL OTHER EXPRESS WARRANTIES FOR THE PRODUCTS, AND DISCLAIM AND EXCLUDE ALL WARRANTIES IMPLIED BY LAW, INCLUDING THOSE OF MERCHANTABILITY AND FITNESS FOR A PARTICULAR PURPOSE.

Some states or provinces do not allow limitations on the duration of an implied warranty or the exclusion or limitation of incidental or consequential damages, so the above limitations or exclusions may not apply to you. To the extent that applicable law prohibits the exclusion of implied warranties, the duration of any applicable implied warranty is limited to the same three-year and one-year periods described above if permitted by applicable law. Any oral or written description of the Products is for the sole purpose of identifying the Products and shall not be construed as an express warranty. Prior to using, implementing or permitting use of the Products, you shall determine the suitability of the Products for the intended use, and you shall assume all risk and liability whatsoever in connection with such determination. We reserve the right to use functionally equivalent refurbished or reconditioned parts or Products as warranty replacements or as part of warranty service. This warranty is not transferable from the original purchaser and only applies to the consumer residence where the Product was originally installed located in the United States and Canada. This warranty is not extended to resellers.

To Obtain Service Under Limited Warranty: To qualify for warranty service, you must: (a) notify us at the address or telephone number stated below within 60 days of the discovery of the defect; (b) give the model number and serial number; and (c) describe the nature of any defect in the Product or part. At the time of the request for warranty service, you must present evidence of your proof of purchase and proof of the original purchase date. If we determine that the warranty exclusions listed above apply or if you fail to provide the necessary documentation to obtain service, you will be responsible for all shipping, travel, labor and other costs related to the services. This warranty is not extended or restarted upon warranty repair or replacements.

Please check our website for any additional Product information, www.zephyronline.com.

Zephyr Ventilation Service Department, 2277 Harbor Bay Parkway, Alameda, CA 94502 1-888-880-8368

MAY20.0401

Product Registration

Congratulations on the purchase of your Zephyr product! Please take a moment to register your new Zephyr product at www.zephyronline.com/registration

IT'S IMPORTANT

Prompt registration helps in more ways than one.

- Ensures warranty coverage should you need service.
- Ownership verification for insurance purposes.
- Notification of product changes or recalls.



Zephyr Ventilation | 2277 Harbor Bay Pkwy. | Alameda, CA 94502 | 1.888.880.8368

ZEPHYR

WWW.ZEPHYRONLINE.COM

Breeze I

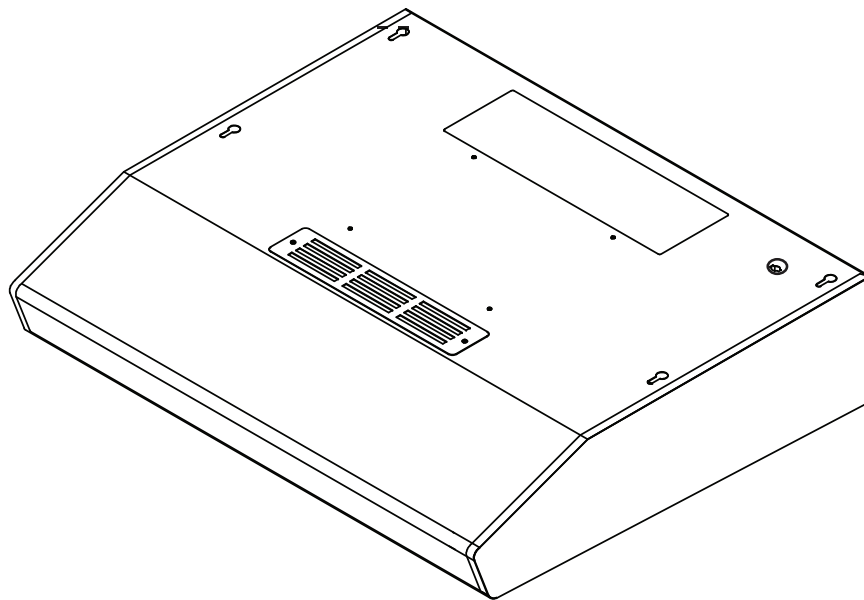
AK1124Bx, AK1100Bx, AK1136Bx

Breeze II

AK1200Bx, AK1236Bx

EN Use, Care, and Installation Guide

FR Guide d'utilisation, d'entretien et d'installation



	Page
Consignes de sécurité	4-9
Types d'avertissements de sécurité	4
Sécurité générale.....	5-8
Opération	8
Exigences électriques	8-9
Liste de matériel.....	10
Instructions d'installation	11-20
Feuille de calcul pour le conduit d'aération.....	11
Hauteur de montage, dégagement et gaine	12-13
Options de conduits	14
Spécifications de la hotte	15
Fourniture électrique	16
Raccord de câble	16
Préparation de l'installation.....	17
Conversion du mode de recirculation d'air.....	18-19
Montage de la hotte	20
Fonctionnalités et commandes.....	21
Entretien.....	22-24
Nettoyage de la hotte et du filtre.....	22-23
LumiLight LED et bande lumineuse LED	24
Schéma de câblage.....	25
Dépannage	26
Liste des pièces et accessoires	27
Remarques	28
Garantie limitée	29
Enregistrement du produit.....	30

Consignes de sécurité

Votre sécurité et celle des gens qui vous entourent sont très importantes.

Ce manuel contient de nombreux messages de sécurité relatifs à votre appareil. Lisez tous les messages et conformez-vous-y en tout temps.



Voici le symbole d'alerte à la sécurité. Ce symbole vous informe de possibles dangers qui pourraient entraîner de graves lésions corporelles ou la mort. Tous les messages de sécurité suivent le symbole d'alerte à la sécurité et comportent les mots « **DANGER** », « **AVERTISSEMENT** » ou « **ATTENTION** ».

 **DANGER** 

Le mot « danger » signifie que le fait de ne pas tenir compte de l'énoncé de sécurité peut entraîner une blessure grave ou la mort.

 **AVERTISSEMENT** 

Le mot « avertissement » signifie que le fait de ne pas tenir compte de l'énoncé de sécurité peut entraîner des dommages importants au produit, une lésion corporelle grave ou la mort.

 **ATTENTION** 

Le mot « attention » signifie que le fait de ne pas tenir compte de l'énoncé de sécurité peut entraîner une lésion corporelle mineure ou modérée, ou encore des dommages au produit ou à la propriété.

LISEZ ET CONSERVEZ CES INSTRUCTIONS

Sécurité générale

**ATTENTION**

Pour réduire le risque d'incendie ou de choc électrique, n'utilisez pas ce ventilateur avec un dispositif de commande à semi-conducteurs.

**ATTENTION**

AVERTISSEMENT - POUR RÉDUIRE LES RISQUES D'INCENDIE, DE CHOC ÉLECTRIQUE OU DE BLESSURES AUX PERSONNES, RESPECTEZ LES SUIVANTS:

- a) N'utilisez cet appareil que de la manière prévue par le fabricant. Si vous avez des questions, contactez le fabricant.
- b) Avant l'entretien ou le nettoyage de l'unité, coupez l'alimentation au panneau de service et verrouillez les moyens de déconnexion de service pour éviter toute mise sous tension accidentelle. Lorsque le moyen de déconnexion de service ne peut pas être verrouillé, fixez solidement un dispositif d'avertissement bien visible, tel qu'une étiquette, au panneau de service.

**AVERTISSEMENT**

Pour Une Ventilation Générale Uniquement. Ne Pas Utiliser Pour Évacuer Des Matières Et Des Vapeurs Dangereuses Ou Explosives. Soyez prudent lorsque vous utilisez des produits de nettoyage pour détergents. Convient pour une utilisation dans la zone de cuisson domestique.

Consignes de sécurité

LISEZ ET CONSERVEZ CES INSTRUCTIONS



ATTENTION



AVERTISSEMENT - POUR RÉDUIRE LE RISQUE D'INCENDIE DE GRAISSE SUR LE HAUT DE CUISINIÈRE:

- a) Ne laissez jamais les unités de surface sans surveillance à des réglages élevés. Les débordements provoquent de la fumée et des débordements graisseux qui peuvent s'enflammer. Chauffer les huiles lentement à des réglages faibles ou moyens.
- b) Allumez toujours la hotte lorsque vous cuisinez à feu vif ou lorsque vous flambez des aliments. (c'est-à-dire Crêpes Suzette, Cerises Jubilee, Boeuf au Poivre Flambé »).
- c) Nettoyez fréquemment les ventilateurs de ventilation. La graisse ne doit pas s'accumuler sur le ventilateur ou le filtre.
- d) Utilisez une taille de casserole appropriée. Utilisez toujours des ustensiles de cuisine adaptés à la taille de l'élément de surface.



ATTENTION



AVERTISSEMENT - POUR RÉDUIRE LE RISQUE DE BLESSURE DES PERSONNES EN CAS D'INCENDIE DE GRAISSE SUR LE HAUT DE LA CUISINIÈRE, RESPECTEZ CE QUI SUIT:

- a) **DES FLAMMES PLUS INTELLIGENTES** avec un couvercle bien ajusté, une plaque à biscuits ou un plateau en métal, puis éteignez le brûleur. **FAITES ATTENTION À ÉVITER LES BRÛLURES.** Si les flammes ne s'éteignent pas immédiatement, **ÉVACUER ET APPELER LE DÉPARTEMENT DES INCENDIES.**
- b) **NE JAMAIS RAMASSER UNE PLAQUE ENFLAMME** - Vous pourriez être brûlé.
- c) **N'UTILISEZ PAS D'EAU**, ni de torchons ou de serviettes humides - une violente explosion de vapeur en résultera.
- d) Utilisez un extincteur **UNIQUEMENT** si:
 - 1) Vous savez que vous possédez un extincteur de classe ABC et vous savez déjà comment l'utiliser.
 - 2) Le feu est petit et contenu dans la zone où il a commencé.
 - 3) Le service d'incendie est appelé.
 - 4) Vous pouvez combattre le feu dos à une sortie

«Basé sur "Kitchen Firesafety Tips" publié par la NFPA.

LISEZ ET CONSERVEZ CES INSTRUCTIONS



AVERTISSEMENT - POUR RÉDUIRE LES RISQUES D'INCENDIE, DE DÉCHARGE ÉLECTRIQUE OU DE BLESSURES AUX PERSONNES, RESPECTEZ CE QUI SUIT:

- a) Les travaux d'installation et le câblage électrique doivent être effectués par des personnes qualifiées conformément à tous les codes et normes applicables, y compris la construction résistant au feu.
- b) Une quantité d'air suffisante est nécessaire pour une combustion et une évacuation correctes des gaz par le conduit de fumée (cheminée) de l'équipement à combustible pour empêcher le refoulement. Suivez les directives et les normes de sécurité du fabricant de l'équipement de chauffage, telles que celles publiées par la National Fire Protection Association (NFPA), l'American Society for Heating, Refrigeration and Air Conditioning Engineers (ASHRAE) et les autorités locales du code.
- c) Lorsque vous coupez ou percez dans un mur ou un plafond, n'endommagez pas le câblage électrique et les autres services publics cachés.
- d) Les ventilateurs à conduit doivent toujours être ventilés vers l'extérieur.
- e) Si cet appareil doit être installé au-dessus d'une baignoire ou d'une douche, il doit être marqué comme approprié pour l'application et être connecté à un circuit de dérivation protégé par un disjoncteur de fuite à la terre (GFCI).



Consignes de sécurité

LISEZ ET CONSERVEZ CES INSTRUCTIONS



- ▶ Pour réduire les risques d'incendie et pour évacuer correctement l'air extérieur, ne pas évacuer l'air évacué dans les espaces à l'intérieur des murs, plafonds, greniers, vides sanitaires ou garages.
- ▶ Ne pas utiliser sur un gril extérieur.
- ▶ Pour une utilisation en intérieur uniquement.
- ▶ Ne pas utiliser sur un équipement de cuisson supérieur à 60 000 BTU/h.
- ▶ Cette hotte n'est pas destinée à être utilisée comme étagère.

Opération

- ▶ Laissez toujours les grilles de sécurité et les filtres en place. Sans ces composants, les soufflantes en fonctionnement pourraient s'accrocher aux cheveux, aux doigts et aux vêtements amples.
- ▶ Le fabricant décline toute responsabilité en cas de non-respect des instructions données ici pour l'installation, la maintenance et l'utilisation appropriée du produit. Le fabricant décline en outre toute responsabilité en cas de blessure due à une négligence et la garantie de l'unité expire automatiquement en raison d'un mauvais entretien.

REMARQUE: veuillez consulter www.zephyronline.com pour les révisions avant d'effectuer tout travail personnalisé.

Exigences électriques

Important:

Respectez tous les codes et ordonnances en vigueur.

Il est de la responsabilité du client d'en prendre connaissance ci-dessous:

- ▶ Pour contacter un installateur électrique qualifié.
- ▶ Pour garantir que l'installation électrique est adéquate et conforme au National Electrical Code, ANSI / NFPA 70 dernière édition * ou aux normes CSA C22.1-94, Code canadien de l'électricité, partie 1 et C22.2 No.0-M91 - dernière édition ** et tous les codes et ordonnances locaux.

LISEZ ET CONSERVEZ CES INSTRUCTIONS

- ▶ Si les codes le permettent et qu'un fil de terre séparé est utilisé, il est recommandé qu'un électricien qualifié détermine que le chemin de terre est adéquat.
- ▶ Ne pas mettre à la terre un tuyau de gaz.
- ▶ Vérifiez auprès d'un électricien qualifié si vous n'êtes pas sûr que la hotte est correctement mise à la terre.
- ▶ Ne pas avoir de fusible dans le circuit neutre ou de terre.
- ▶ Cet appareil nécessite une alimentation électrique de 120 V à 60 Hz et est connecté à un circuit de dérivation individuel correctement mis à la terre protégé par un disjoncteur de 15 ou 20 ampères ou un fusible temporisé. Le câblage doit être à 2 fils avec mise à la terre. Veuillez également vous référer au schéma électrique du produit.
- ▶ Un connecteur de verrouillage de câble (non fourni) peut également être requis par les codes locaux. Vérifiez les exigences locales, achetez et installez le connecteur approprié si nécessaire.

* National Fire Protection Association Batterymarch Park, Quincy, Massachusetts 02269

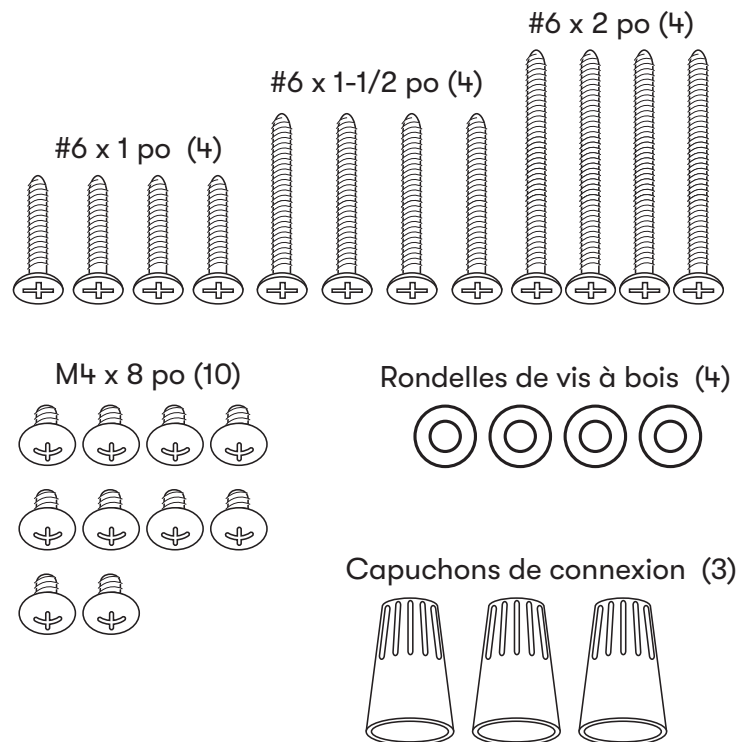
** CSA International 8501 East Pleasant Valley Road, Cleveland, Ohio 44131-5575



Liste de matériel

Pièces fournies

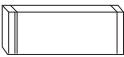

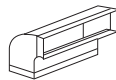
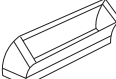

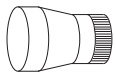
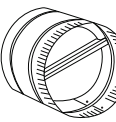
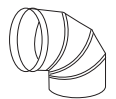

Quantité	Partie
1	Hotte
2	Filtres de maille métalliques
2	LED LumiLight, 6W (Breeze I seulement)
1	Bande lumineuse à LED, 5W (Breeze II seulement)
1	Collier de fixation principal rectangulaire de 3¼ po x 10 po avec registre
1	Trousse de quincaillerie



Pièces non fournies

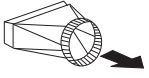
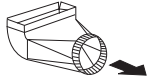

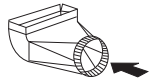
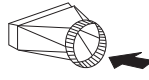
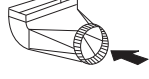
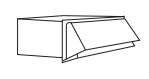
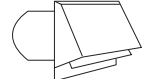

Conduit, conduit et tous les outils d'installation
Raccord de câble (si exigé par les codes en vigueur)
Kit d'extension de couvercle de conduit (OAK11-21001)

Feuille de calcul pour le conduit d'aération

Pièces de conduit		Longueur x	Nombre utilisé	=	Total
	3-1/4" x 10" rect., droit	1 pi	x () =		pi
	6", 7", 8", 10" circ., droit	1 pi	x () =		pi
	3-1/4" x 10" rect., coude à 90°	15 pi	x () =		pi
	3-1/4" x 10" rect., coude à 45°	9 pi	x () =		pi
	3-1/4" x 10" rect., coude plat à 90°	24 pi	x () =		pi
	7" to 6" or 8" to 7" circ. reducteur conique	25 pi	x () =		pi
	6", 7", 8" circ. bouchone de l'air	15 pi	x () =		pi
	6", 7", 8", 10" circ., coude à 90°	15 pi	x () =		pi
	6", 7", 8", 10" coude à 45°	9 pi	x () =		pi
Sous-total - colonne 1 =					pi

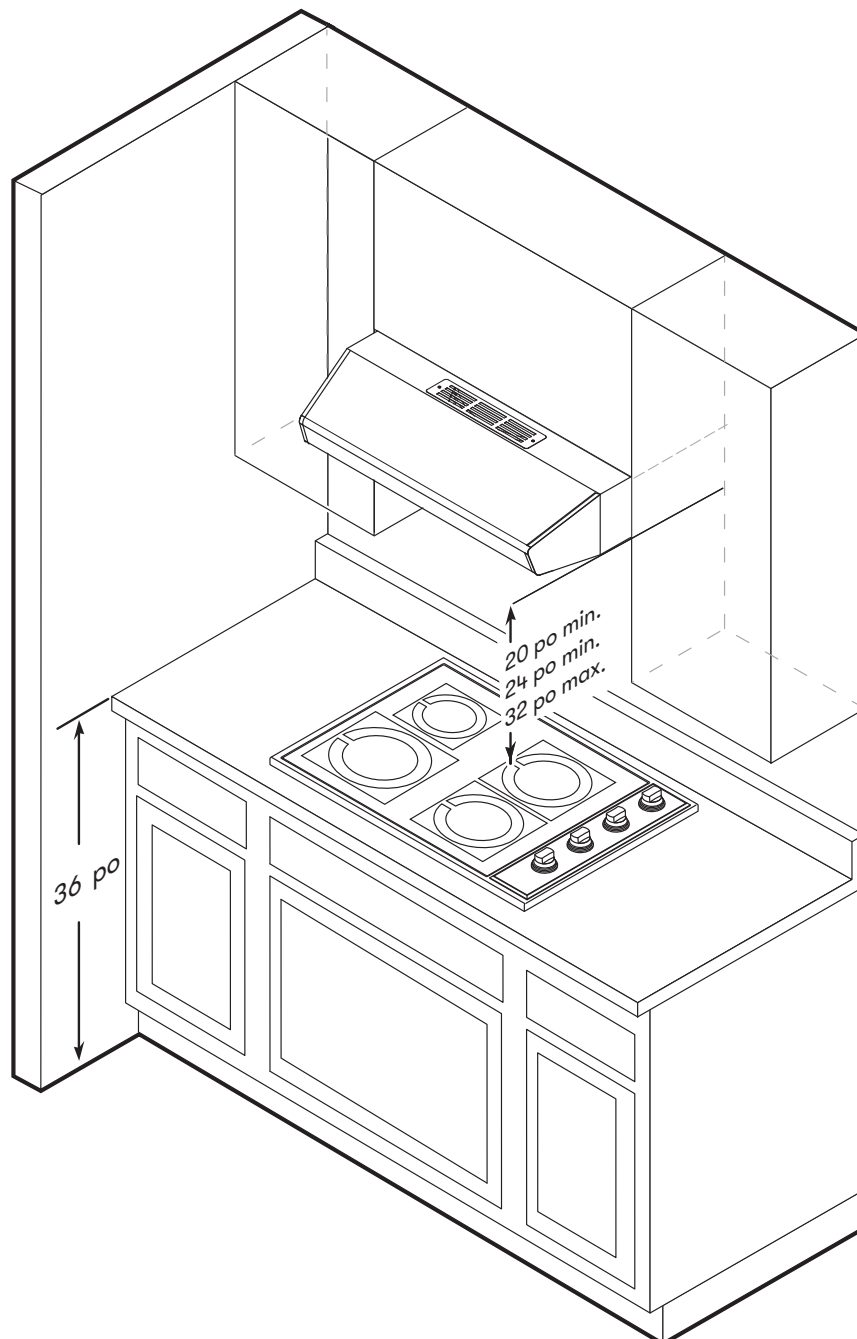
Longueur maximale du conduit d'aération :

Pour un mouvement d'air convenable, la longueur totale d'un conduit d'aération ne devrait pas compter plus que l'équivalent de 150 pieds.

Pièces de conduit		Longueur x	Nombre utilisé	=	Total
	6" circ. à rect. de 3-1/4" x 10"	5 pi	x () =		pi
	6" circ. à rect. de 3-1/4" x 10", coude à 90°	20 pi	x () =		pi
	6" circ. à rect. de 3-1/4" x 10"	1 pi	x () =		pi
	6" circ. à rect. de 3-1/4" x 10", coude à 90°	16 pi	x () =		pi
	7" circ. à rect. de 3-1/4" x 10"	8 pi	x () =		pi
	7" circ. à rect. de 3-1/4" x 10", coude à 90°	23 pi	x () =		pi
	3-1/4" x 10" embout mural rect./registre	30 pi	x () =		pi
	6", 7", 8", 10" embout mural circ./registre	30 pi	x () =		pi
	6", 7", 8", 10" chapeau de toiture circ.	30 pi	x () =		pi
Sous-total - colonne 2 =					pi
Sous-total - colonne 1 =					pi
Total du conduit =					pi

Instructions d'installation

Hauteur de montage, dégagement et gaine



REMARQUE: La hauteur minimale de montage Breeze I pour les tables de cuisson électriques est de 20 po, mais est de 24 po pour les tables de cuisson à gaz. La hauteur de montage minimale du Breeze II pour les tables de cuisson électriques et à gaz est de 24 po. La hauteur de montage maximale pour Breeze I et Breeze II est de 32 po pour les tables de cuisson électriques et à gaz.

Hauteur de montage, dégagement et gaine

Un conduit rectangulaire d'au moins 3 1/4 po x 10 po pour un conduit vertical ou un conduit horizontal doit être utilisé pour maintenir une efficacité maximale du flux d'air.

Utilisez toujours des conduits métalliques de type rigide uniquement. Les conduits flexibles pourraient restreindre le débit d'air jusqu'à 50%.

Utilisez la feuille de calcul de calcul pour calculer la longueur totale de gaine disponible lorsque vous utilisez des coudes, des transitions et des bouchons.

TOUJOURS, lorsque cela est possible, réduire le nombre de transitions et de virages. Si un long trajet de conduit est nécessaire, augmentez la taille du conduit.

Si des virages ou des transitions sont nécessaires: Installer aussi loin de l'ouverture du conduit et aussi éloigné que possible entre les deux transitions.

Breeze I: La hauteur minimale de montage entre le haut de la cuisinière et le bas de la hotte ne doit pas être inférieure à 20 po pour les tables de cuisson électriques et à 24 po pour les tables de cuisson au gaz. La hauteur de montage maximale ne doit pas dépasser 32 pouces.

Breeze II: La hauteur de montage minimale entre le haut de la cuisinière et le bas de la hotte ne doit pas être inférieure à 24 "La hauteur de montage maximale ne doit pas être supérieure à 32".

Il est important d'installer la hotte à la bonne hauteur de montage. Les capots montés trop bas peuvent entraîner des dommages dus à la chaleur et un risque d'incendie; tandis que les hottes montées trop haut seront difficiles à atteindre et perdront leurs performances et leur efficacité.

Si disponible, reportez-vous également aux exigences de dégagement en hauteur du fabricant de la cuisinière et à la hauteur de montage de la hotte recommandée au-dessus de la cuisinière. Vérifiez toujours vos codes locaux pour toute différence.


Kit d'extension de couverture de conduit disponible pour des hauteurs de plafond jusqu'à 12 pieds. Accédez à la page des pièces et accessoires pour les références et les informations de commande.

Pour les dommages liés à l'expédition et à l'installation:


- ▶ Veuillez inspecter complètement l'unité pour déceler tout dommage avant l'installation. Si l'appareil est endommagé lors de l'expédition, renvoyez-le au magasin où il a été acheté pour réparation ou remplacement.
- ▶ Si l'appareil est endommagé par le client, la réparation ou le remplacement est à la charge du client.
- ▶ Si l'unité est endommagée par l'installateur (si autre que le client), la réparation du remplacement doit être effectuée par arrangement entre le client et l'installateur.

Instructions d'installation

Options de conduits

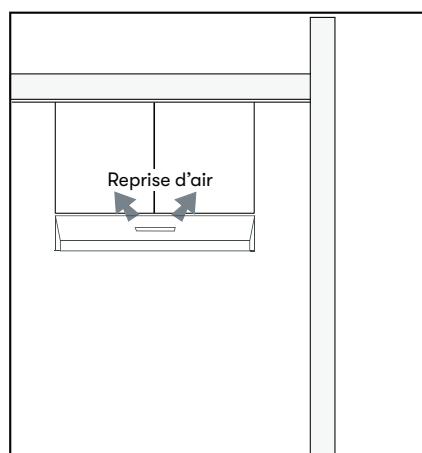
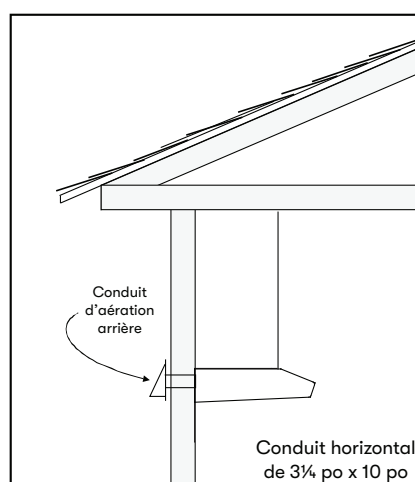
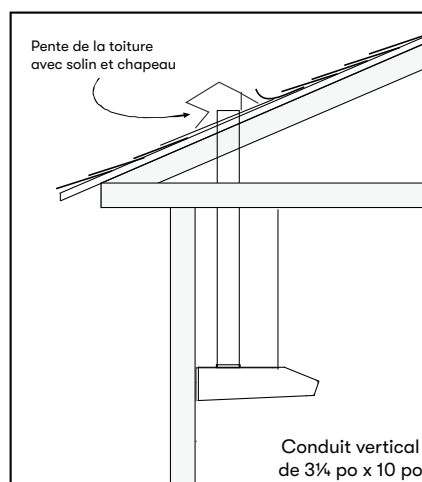


ATTENTION



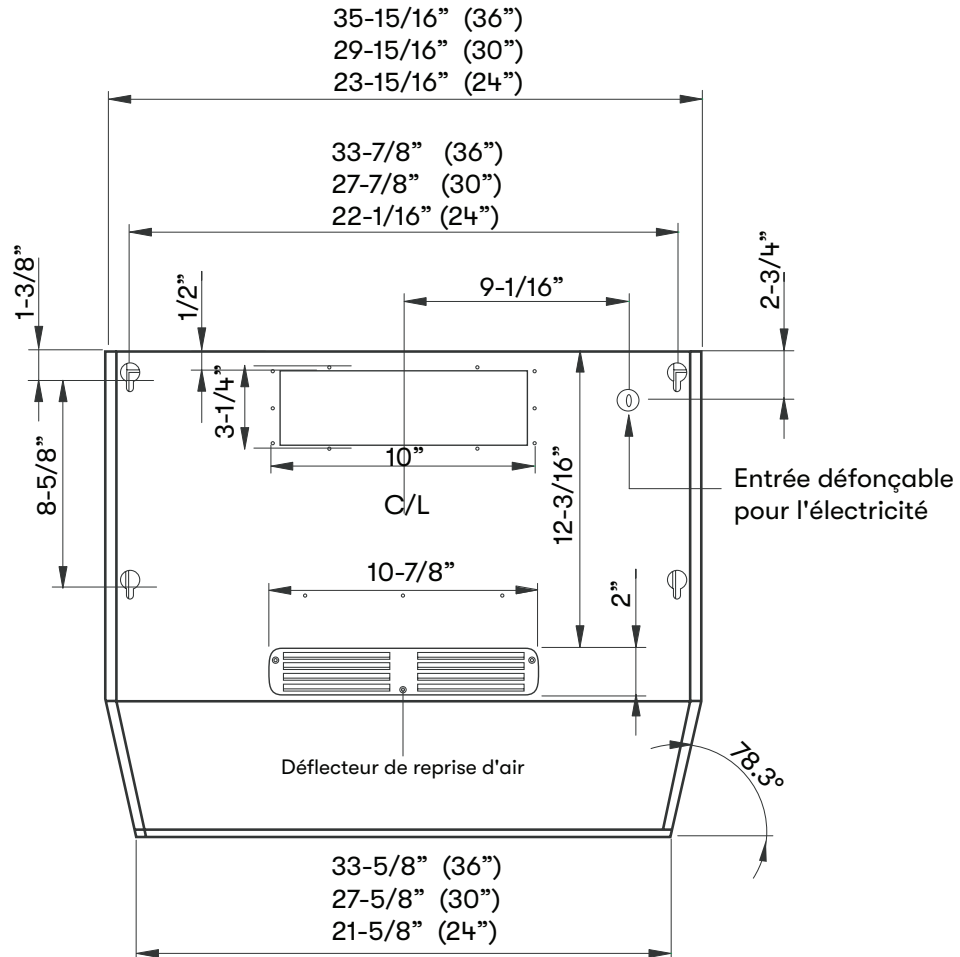
Risque d'incendie: NE JAMAIS évacuer l'air ni terminer de conduits dans des espaces entre les murs, les vides sanitaires, les plafonds, les greniers ou les garages. Tout l'échappement doit être canalisé vers l'extérieur, à moins d'utiliser l'option de recirculation.

- ▶ Utilisez uniquement des conduits métalliques rigides à paroi simple.
- ▶ Fixez toutes les connexions avec des vis à tôle et collez tous les joints avec du ruban argenté ou du ruban adhésif.

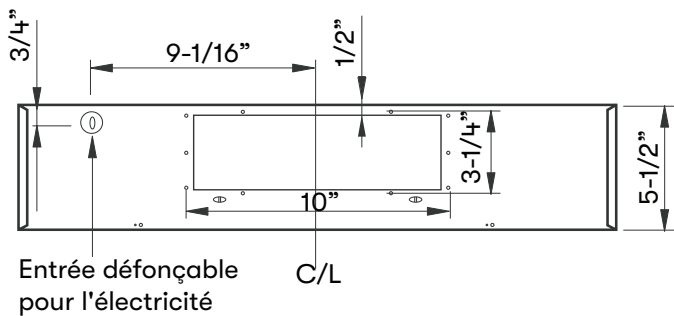


Spécifications de la hotte

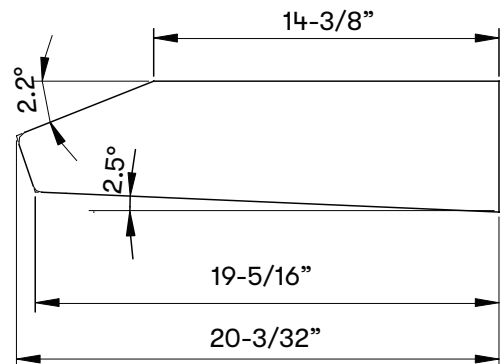
DESSUS



ARRIÈRE



CÔTÉ



Instructions d'installation

Fourniture électrique



ATTENTION



Le câblage électrique doit être effectué par des personnes qualifiées conformément à tous les codes et normes applicables.
Cette hotte doit être correctement mise à la terre. Coupez l'alimentation électrique à l'entrée de service avant le câblage.

Pour votre sécurité personnelle, retirez le fusible de la maison ou ouvrez le disjoncteur avant de commencer l'installation. N'utilisez pas de rallonge ni de fiche d'adaptateur avec cet appareil.

Suivez les codes électriques nationaux ou les codes et règlements locaux en vigueur.

Cet appareil nécessite une alimentation électrique de 120 V 60 Hz et est connecté à un circuit de dérivation individuel correctement mis à la terre, protégé par un disjoncteur de 15 ou 20 ampères ou un fusible temporisé. Le câblage doit être à 2 fils avec terre. Veuillez également vous référer au schéma électrique étiqueté sur le produit.

Raccord de câble

Un connecteur de verrouillage de câble (non fourni) peut être requis par les codes locaux. Vérifiez les exigences et les codes locaux, achetez et installez le connecteur approprié si nécessaire. (FIG. A)

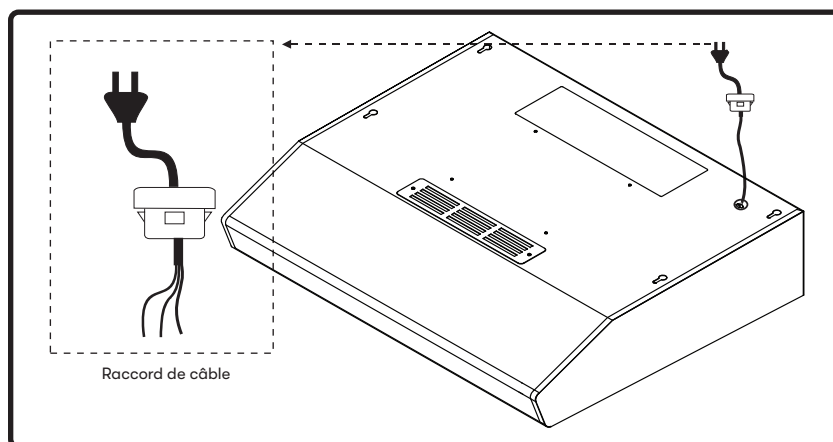
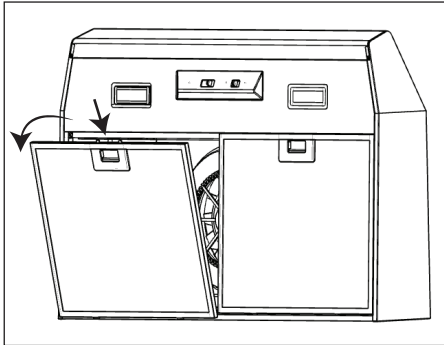
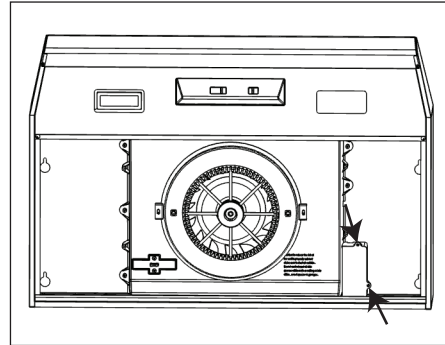


FIG. A

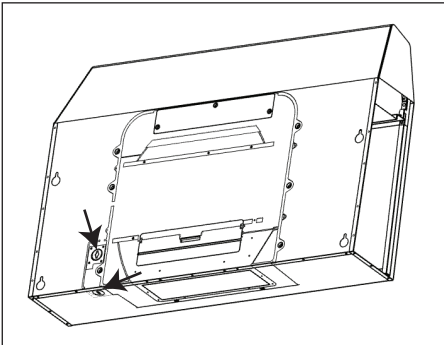
Préparation de l'installation



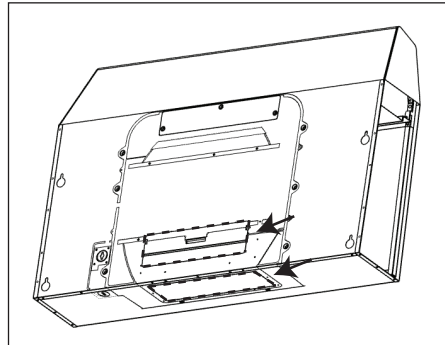
1. Retirez les filtres.



2. Retirez le couvercle de la boîte de jonction pour avoir accès au câblage électrique.

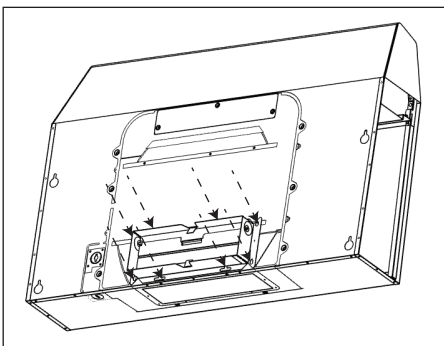


3. Si vous utilisez un raccord de câble, ouvrez soit l'une des entrées défonçables pour l'électricité (sur le dessus ou à l'arrière de la hotte). Faites passer les fils électriques par le raccord de câble. Note : Certaines normes et réglementations locales exigent l'utilisation d'un raccord de câble; assurez-vous de respecter les normes en vigueur.



4. Si vous utilisez la hotte en mode de reprise d'air, sautez les étapes 4 et 5.

Ouvrez l'entrée défonçable pour le conduit de 3¼ po x 10 po (sur le dessus ou à l'arrière de la hotte), selon la configuration désirée.

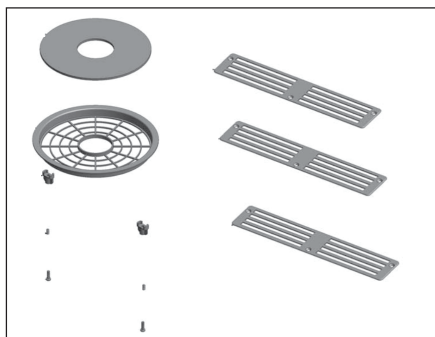


5. Fixez le collier de fixation principal de 3¼ po x 10 po avec registre sur l'ouverture du conduit d'aération à l'aide des 10 vis M4x8 po.

Instructions d'installation

Conversion du mode de recirculation d'air

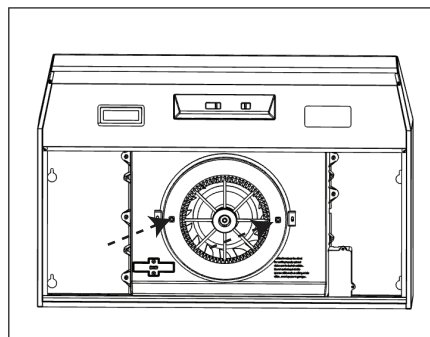
NOTE : Sautez les pages de conversion en mode de reprise d'air si vous évacuez l'air à l'extérieur de votre maison.



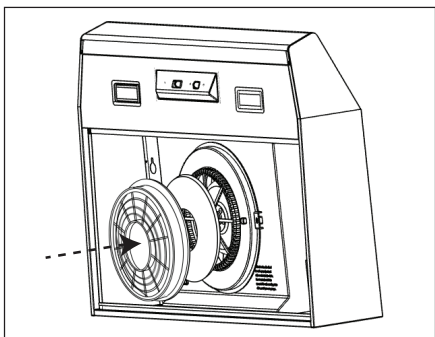
Vous devez vous procurer un ensemble de reprise d'air (non inclus) avant d'utiliser la hotte en mode de reprise d'air.

Ensemble de reprise d'air – OAK11-21001

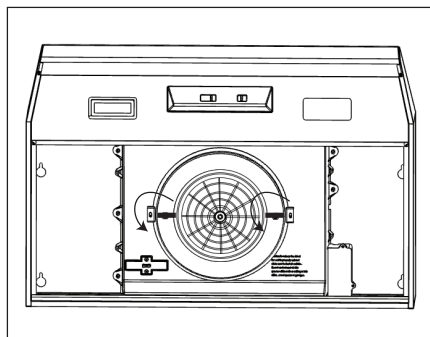
Filtre de rechange – OAK11-20001



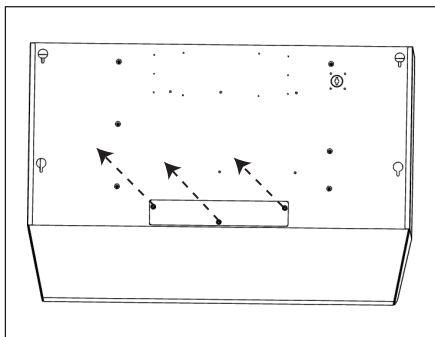
1. Fixez les deux attaches à ressort au boîtier de la grille de protection (A). Pour y parvenir, faites passer la vis à travers le ressort puis fixez-la à l'attache. Fixez solidement l'attache au boîtier de la grille de protection à l'aide d'un tournevis à pointe cruciforme (Phillips).



2. Installez le filtre à charbon dans le support de filtre à charbon (B) et placez-le sur le boîtier de la grille de protection (A).



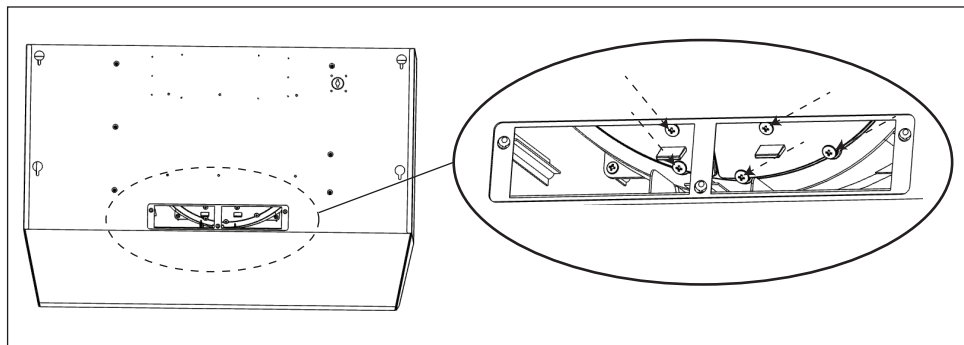
3. Fixez bien le support de filtre à charbon au boîtier de la grille de protection en le déposant sur les attaches à ressort puis en tournant. L'attache devrait bien couvrir la bordure du support de filtre à charbon.



4. Retirez les vis de la plaque supérieure de reprise d'air. La plaque se trouve sur le dessus de la hotte, près de la partie avant.

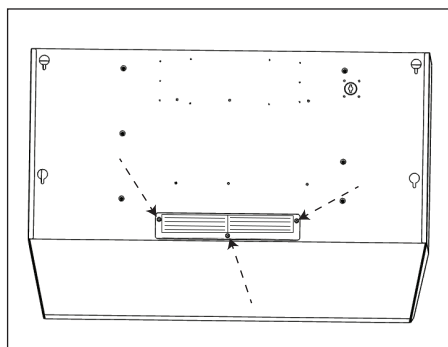
Conversion du mode de recirculation d'air

NOTE : Sautez cette page si l'air évacué par la hotte est dirigé à l'extérieur de votre maison.



5. Enlevez les cinq vis qui retiennent les deux panneaux de reprise d'air intérieurs.

6. Enlevez les deux panneaux de reprise d'air intérieurs.



7. Placez les deux déflecteurs de reprise d'air sur l'ouverture supérieure et fixez-les en place à l'aide des vis préalablement enlevées.

Instructions d'installation

Montage de la hotte

La hotte est conçue pour être installée sous une armoire de cuisine (FIG. B)

1. Sélectionnez l'emplacement préféré du conduit (vertical ou horizontal) si le conduit sort de la cuisine. Reportez-vous à la page 14 pour plus de détails.
2. Commencez l'installation en retirant les filtres (si installés) et les panneaux d'entretoise latéraux (modèles de 36 po uniquement). (FIG. C)
3. Renforcez l'armoire avec des bandes de bois de 1 po x 2 po si un renforcement supplémentaire est requis ou si les armoires sont encadrées.
4. Positionnez temporairement la hotte à l'emplacement de montage souhaité. Mesurez et marquez les trous de montage, les conduits et les emplacements électriques avec un crayon.
5. Percez / découpez les ouvertures requises pour le conduit et l'accès électrique en suivant les dimensions de la page 15; assurez-vous que l'ouverture du conduit est suffisamment grande pour appliquer du ruban adhésif.
6. Fixez la hotte sur l'armoire avec (4) vis à bois #6 avec les rondelles fournies.
7. Installez électrique.
8. Installer les conduits et sceller avec du ruban adhésif.
9. Réinstaller les filtres et les panneaux d'entretoise latéraux (le cas échéant).
10. Mettez la hotte sous tension et vérifiez s'il y a des fuites autour du ruban adhésif.
11. En cas de recirculation de la hotte, reportez-vous aux pages 18 et 19 pour plus de détails.

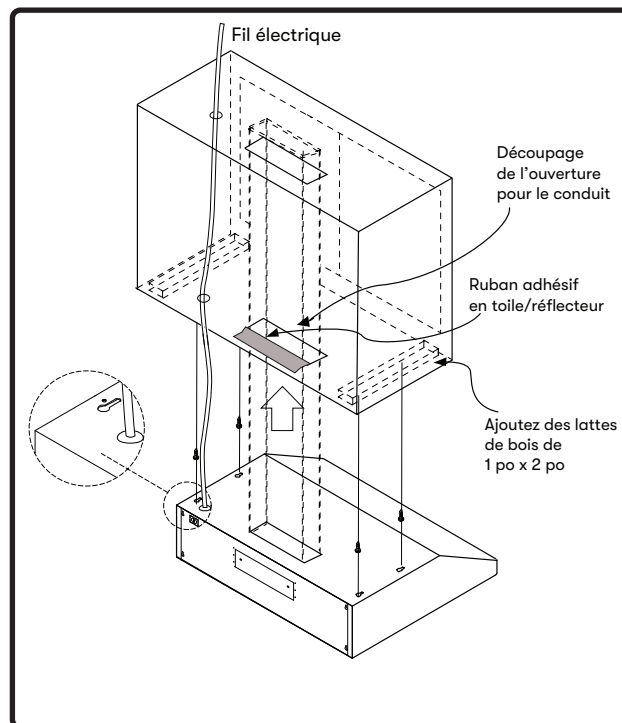


FIG. B

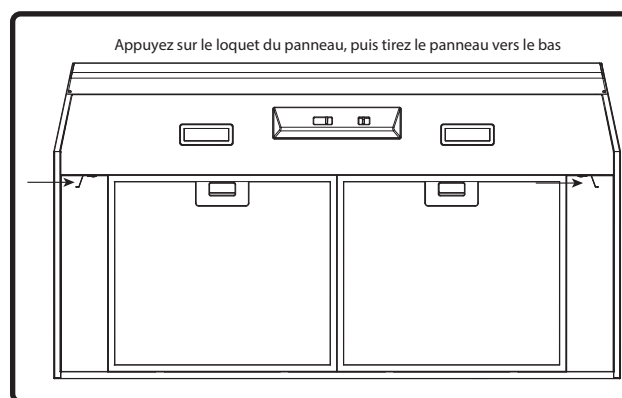
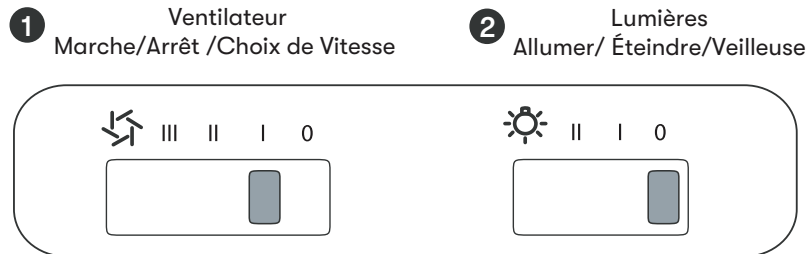


FIG. C

Breeze I, AK11xxBx



1 Ventilateur - Marche / Arrêt / Choix de Vitesse

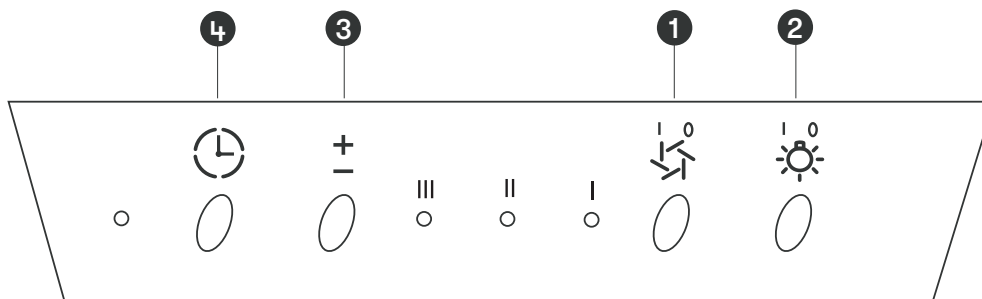
Cet interrupteur permet d'allumer, d'éteindre et de sélectionner la vitesse des ventilateurs.

À 0 l'appareil est éteint; I équivaut à la vitesse lente, II à la vitesse moyenne et III à la vitesse maximale.

2 Lumières - Allumer / Éteindre / Veilleuse

0 est éteint, I est faible et II est lumineux

Breeze II, AK12xxBx



1 Marche/Arrêt

Ce bouton permet de mettre l'appareil en marche et de l'éteindre.

Il éteint également toute l'alimentation électrique de la hotte.

Si les lumières sont allumées et que le bouton est poussé, elles s'éteindront également.

2 Lumières

Ce bouton permet d'allumer, d'éteindre et de changer l'intensité des lumières.

Appuyez une fois pour les allumer à forte intensité, une autre fois pour les mettre en veilleuse

et une troisième fois pour les éteindre.

3 Vitesse

Ce bouton change la vitesse des ventilateurs. La vitesse changera

de lente à moyenne à rapide selon le nombre de fois que vous appuyez.

4 Arrêt à retardement

Ce bouton mettra la hotte en mode d'arrêt à retardement.

Lors de l'utilisation de ce mode, la hotte ralentira automatiquement

la vitesse des ventilateurs et elle éteindra toutes les fonctions après 5 minutes.

Entretien

Nettoyage de la hotte et du filtre

Entretien de surface

- ▶ N'utilisez pas de détergents corrosifs, de détergents abrasifs ou de nettoyeurs pour four.
- ▶ N'utilisez aucun produit contenant un agent de blanchiment chloré ou un produit contenant du chlorure.
- ▶ N'utilisez pas de laine d'acier ou de tampons à récurer abrasifs qui pourraient rayer et endommager la surface.

Nettoyage de l'acier inoxydable

Nettoyez périodiquement avec de l'eau chaude savonneuse et un chiffon en coton propre ou un chiffon en microfibres. Frottez toujours dans le sens du grain de l'acier inoxydable. Pour éliminer les accumulations de graisse plus lourdes, utilisez un détergent dégraissant liquide.

Après le nettoyage, utilisez un produit de polissage / nettoyant pour acier inoxydable non abrasif pour polir et polir le lustre et le grain de l'acier inoxydable. Frottez toujours légèrement avec un chiffon en coton propre ou en microfibres et polissez dans le sens du grain de l'acier inoxydable.

Nettoyage de l'acier inoxydable noir

Nettoyez périodiquement avec de l'eau chaude savonneuse et un chiffon en coton propre ou un chiffon en microfibres. Pour éliminer les accumulations de graisse plus lourdes, utilisez un détergent dégraissant liquide.

En raison d'une couche intégrée de revêtement protecteur anti-taches, n'utilisez pas de polish / nettoyeurs pour acier inoxydable pour polir l'acier inoxydable noir.

Filtres à mailles en aluminium

Les filtres à mailles en aluminium installés par l'usine sont destinés à filtrer les résidus et les graisses de cuisson. Ils n'ont pas besoin d'être remplacés régulièrement, mais doivent être maintenus propres.

Retirer et nettoyer à la main ou au lave-vaisselle avec un détergent sans phosphate. Une décoloration du filtre peut survenir si vous utilisez des détergents phosphatés ou en raison des conditions locales de l'eau - mais cela n'affectera pas les performances du filtre. Cette décoloration n'est pas couverte par la garantie. Vaporiser un détergent dégraissant et laisser tremper s'il est très sale.

Séchez les filtres et réinstallez-les avant d'utiliser la hotte.

Retrait des filtres à mailles en aluminium (FIG. D):

1. Appuyez sur les poignées du filtre.
2. Faites pivoter l'avant du filtre vers le bas.
3. Retirez le filtre en l'éloignant de la hotte.

Remplacement des filtres à mailles en aluminium

Modèle de capot	Numéro d'article	Quantité à commander
AK1124Bx	50200013	2
AK1100Bx / AK1136Bx	50200012	2
AK1200Bx / AK1236Bx	50200012	2

Pour commander des pièces, visitez-nous en ligne à <http://store.zephyronline.com> ou appelez-nous au 1.888.880.8368.

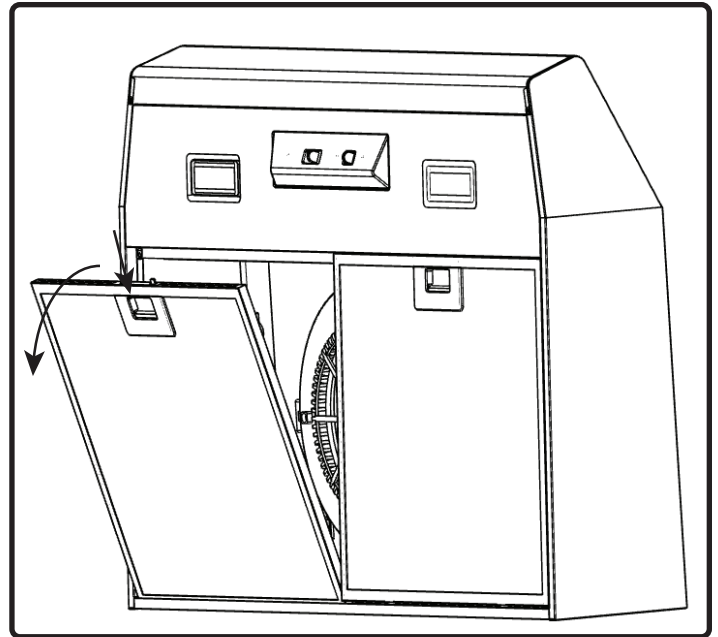


FIG. D

LumiLight LED et bande lumineuse LED

Dans le cas peu probable où votre bande lumineuse LED ou LED LumiLight tomberait en panne, veuillez contacter Zephyr pour commander des pièces de rechange.

Voir la page de la liste des pièces et accessoires pour les numéros de pièces et les coordonnées.

Retrait de la LED LumiLight (FIG. E & F):

1. Retirez les filtres à mailles en aluminium.
2. Retirez le panneau lumineux par deux vis.
3. Débranchez le connecteur rapide de la lumineuse LED.
4. Poussez les deux clips latéraux aux extrémités de la LED.
5. Poussez la lumineuse LED à travers l'ouverture du panneau lumineux.

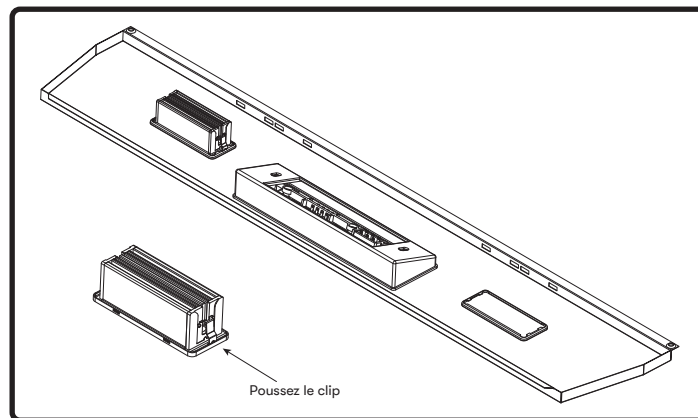


FIG. E

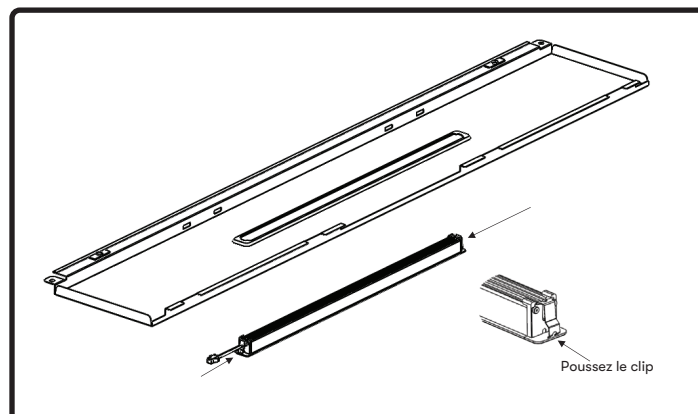
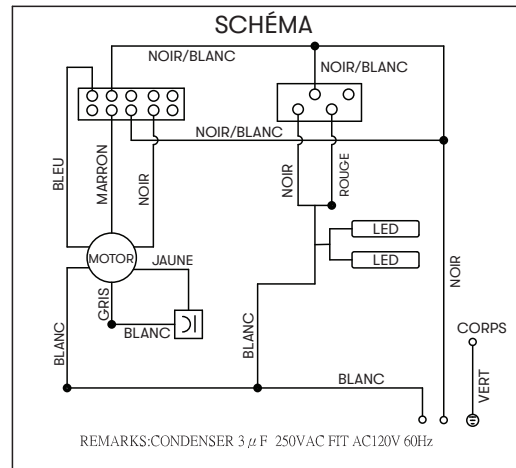


FIG. F

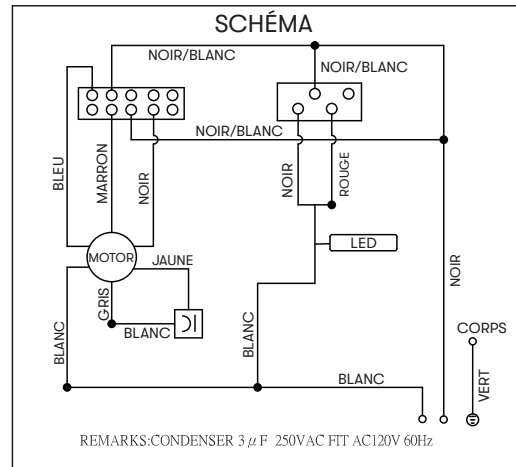
AK1100Bx
Modèle: AK1136Bx
Voltage: 120V 60Hz
Consommation D'énergie
Total: 87W@0.8A
Ampoule: Max 6Wx2
Ventilateur: 75W

Thermiquement Protègè



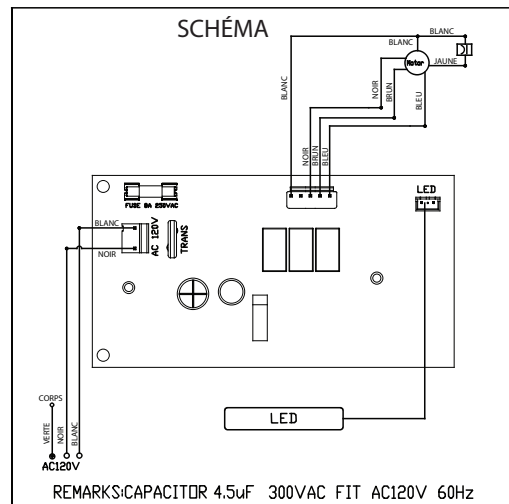
Modèle: AK1124Bx
Voltage: 120V 60Hz
Consommation D'énergie
Total: 81W@0.8A
Ampoule: Max 6W
Ventilateur: 75W

Thermiquement Protègè



AK1200Bx
Modèle: AK1236Bx
Voltage: 120V 60Hz
Consommation D'énergie
Total: 70W @0.8A
Ampoule: 5W
Ventilateur: 65W

Thermiquement Protègè



Dépannage

Problème possible	Cause possible	Solutions
Après l'installation, l'unité ne fonctionne pas.	La source d'alimentation n'est pas allumée.	Assurez-vous que le disjoncteur et que l'appareil est sous tension.
	La ligne d'alimentation et le connecteur de verrouillage du câble ne se connectent pas correctement.	Vérifiez que la connexion d'alimentation avec l'appareil est correctement connectée.
	Le câblage de la carte de commutation ou de la carte de commande est déconnecté.	Assurez-vous que les câblages de la carte de commutation et de la carte de commande sont correctement connectés.
	La carte de commutation ou de contrôle est défectueuse.	Changez la carte de commutation ou la carte de commande.
La lumière fonctionne, mais le ventilateur ne tourne pas.	Le câble du ventilateur est déconnecté.	Connectez le câble du ventilateur.
	Débris ou obstruction du moteur.	Retirez les débris ou l'obstruction.
	Moteur défectueux ou éventuellement grippé.	Changez le ventilateur.
	Condensateur endommagé.	Changez le condensateur.
	La carte de commutation ou de contrôle est défectueuse.	Changer la pièce défectueuse.
L'unité vibre.	Le ventilateur n'est pas fixé en place.	Serrez le ventilateur en place.
	Roue de soufflante endommagée.	Remplacez le ventilateur.
	Le capot n'est pas fixé en place.	Vérifiez l'installation de la hotte.
Le ventilateur fonctionne, mais pas les lumières.	Le connecteur de la lumineuse LED est déconnecté.	Connectez le connecteur de la lumineuse LED.
	Lumineuse LED défectueuse.	Changez la lumineuse LED.
	La carte de commutation ou de contrôle est défectueuse.	Changez la carte de commutation ou la carte de commande.
La hotte ne s'échappe pas correctement.	Utilisation d'une mauvaise taille de gaine.	Changez le conduit à au moins 3-1/4" x 10" ou plus.
	Utiliser le mauvais type de canalisation. Les conduits flexibles peuvent réduire le débit d'air jusqu'à 50%.	Remplacez la gaine par une gaine métallique rigide et solide.
	La hotte peut être suspendue trop haut à la table de cuisson.	Ajustez la distance entre la table de cuisson et le bas de la hotte dans une plage de 24" et 32".
	Le vent des fenêtres ouvertes ou des portes ouvertes dans la zone environnante affecte la ventilation de la hotte.	Fermez toutes les fenêtres et portes pour éliminer le flux de vent extérieur.
	Obstruction dans l'ouverture du conduit ou les conduits.	Retirez tout le blocage des conduits ou de l'ouverture du conduit.
L'unité s'allume d'elle-même.	Un spot lumineux brille directement sur les commandes de l'interrupteur.	Les commandes des interrupteurs sont sensibles à la lumière. Une source de lumière directe sur les commandes de l'interrupteur peut perturber les fonctions de l'interrupteur.

La description	Numéro d'article
Pièces de rechange	
LumiLight LED, 6 W	ZOB0049
Bande lumineuse LED, 5 W (chacune) (AK12xxBx uniquement)	ZOB0043
Filtre en métal, hottes de 24 po (chacune)	50200013
Filtre en métal, hottes de 30 po et 36 po (chacune)	50200012
Accessoires optionnels	
Kit de recirculation	OAK11-21001
Filtres à charbon de rechange (2pk)	OAK11-20001

Pour commander des pièces, visitez-nous en ligne à <http://store.zephyronline.com> ou appelez-nous au 1.888.880.8368.

Remarques

CORE

BREEZE I &
BREEZE II

SOUS-ARMOIRE

**POUR OBTENIR DU SERVICE SOUS GARANTIE OU POUR TOUTE QUESTION LIÉE À L'ENTRETIEN,
veuillez communiquer avec nous au 1-888-880-8368**

Zephyr Ventilation, LLC (désigné aux présentes sous le nom de « nous ») garantit au premier acheteur (désigné aux présentes sous le nom de « vous » ou « votre ») de produits Zephyr (les « Produits ») que lesdits produits sont exempts de défauts de fabrication ou de main-d'œuvre selon les conditions suivantes :

Garantie de trois ans sur les pièces : Garantie de trois ans à partir de la date d'achat originale du Produit. Nous fournirons sans frais les Produits ou les pièces (y compris les ampoules LED, le cas échéant) de remplacement qui comportaient des défauts de fabrication. Nous pourrions choisir, à notre seule discrétion, de réparer ou de remplacer des pièces avant de prendre la décision de remplacer le Produit.

Garantie limitée d'un an sur la main-d'œuvre : Garantie d'un an à partir de la date d'achat originale du Produit. Nous couvrirons sans frais les frais de main-d'œuvre afférents à la réparation du Produit ou des pièces de remplacement qui comportaient des défauts de fabrication. Un an après la date d'achat originale, vous serez responsable de tous les frais de main-d'œuvre associés à la présente garantie.

Exclusions de la garantie : Cette garantie ne couvre que la réparation ou le remplacement, à notre gré, de pièces ou de Produits défectueux et ne couvre aucun autre coût afférent aux Produits, dont, sans s'y limiter, les frais liés : (a) à l'entretien normal des Produits et au remplacement des pièces consommables, comme les fluorescent, incandescence ou halogèneampoules, les filtres métalliques, les filtres à charbon et les fusibles; (b) à tout Produit ou pièce ayant été endommagé durant le transport ou étant le résultat d'un mauvais usage, d'une négligence, d'un accident, d'une installation incorrecte ou ne respectant pas les notices d'installation recommandées, d'un entretien ou d'une réparation inapproprié (dont ne nous sommes pas responsables); (c) à une utilisation commerciale ou ne correspondant pas à l'utilisation pour laquelle les Produits sont conçus; (d) à l'usure naturelle du fini, à l'usure due à un entretien inadéquat, à l'utilisation de produits nettoyants corrosifs ou abrasifs, de tampons nettoyeurs et de produits de nettoyage pour le four; (e) aux éclats, entailles ou fissures résultant d'un abus ou d'une mauvaise utilisation du Produit; (f) aux déplacements d'un technicien de service à votre domicile pour vous montrer comment utiliser les Produits; (g) aux dommages causés par un accident, un incendie, une inondation, un cas fortuit; ou (h) Les installations personnalisées ou modifications qui ont un impact sur la maintenabilité du Produit. Si vous vous trouvez à l'extérieur du territoire que nous desservons, des frais supplémentaires pourraient s'appliquer pour la livraison des produits à nos points de service désignés pour une réparation sous garantie ou vous pourriez avoir à déboursier les frais de déplacement du technicien à votre domicile pour que le Produit soit réparé, enlevé ou réinstallé. Un an après la date d'achat originale du Produit, vous êtes également responsable de tous les frais de main-d'œuvre associés à la présente garantie.

Restrictions de la garantie. NOTRE OBLIGATION DE RÉPARER OU DE REMPLACER, À NOTRE GRÉ, LE PRODUIT CONSTITUE VOTRE SEUL ET UNIQUE RECOURS SOUS LA PRÉSENTE GARANTIE. NOUS NE NOUS PORTONS PAS RESPONSABLES POUR TOUT DOMMAGE INDIRECT, ACCESSOIRE OU PARTICULIER RÉSULTANT OU AYANT UN LIEN AVEC L'UTILISATION OU LE RENDEMENT DES PRODUITS. LES GARANTIES EXPRESSES DE LA SECTION PRÉCÉDENTE SONT EXCLUSIVES ET TIENNENT LIEU DE TOUTE AUTRE GARANTIE EXPRESSE. PAR LES PRÉSENTES, NOUS REJETONS ET EXCLUONS TOUTE AUTRE GARANTIE EXPRESSE POUR LES PRODUITS ET TOUTES LES GARANTIES TACITES PRÉVUES PAR LA LOI, DONT CELLES RELATIVES À LA QUALITÉ MARCHANDE OU À L'ADÉQUATION DU PRODUIT POUR UNE UTILISATION PARTICULIÈRE. Certains États ou provinces n'autorisent pas les restrictions sur la durée d'une garantie implicite ou l'exclusion ou la restriction des dommages indirects ou accessoires; par conséquent, les exclusions et restrictions mentionnées ci-dessus pourraient ne pas s'appliquer à votre cas. Dans la mesure où une loi applicable interdit l'exclusion de garanties implicites, la durée de toute garantie implicite applicable se limite à la période de deux ans décrite ci-dessus. L'unique objectif de toute description orale ou écrite est de présenter les Produits et celle-ci ne devrait pas être interprétée comme une garantie expresse. Avant d'utiliser ou de permettre l'utilisation des Produits, vous devrez déterminer si les Produits conviennent aux utilisations prévues et vous devrez assumer tout risque et toute responsabilité relatifs à ces utilisations. Nous nous réservons le droit d'utiliser des pièces reconstruites ou remises à neuf pour remplacer l'une des fonctionnalités dans le cadre de la présente garantie ou de l'une des parties de la présente garantie. L'acheteur original ne peut transférer la présente garantie et celle-ci n'est valide qu'aux États-Unis et au Canada.

Pour obtenir du service sous la garantie : Pour avoir droit à du service sous garantie, vous devez : (a) nous avertir en utilisant l'adresse ou le numéro de téléphone inscrit ci-dessous dans les soixante jours suivant la détection du défaut; (b) donner le numéro du modèle, le numéro d'identification de la pièce ainsi que le numéro de série; et (c) décrire la nature de tout défaut de la pièce ou du Produit. Au moment de faire la demande de service sous garantie, vous devrez présenter votre preuve d'achat et la preuve de la date d'achat originale. Si nous déterminons que les exclusions de la garantie énumérées ci-dessus s'appliquent ou si vous vous trouvez dans l'incapacité de nous fournir la documentation nécessaire pour obtenir du service, vous serez responsable de tous les frais d'expédition, de déplacement, de main-d'œuvre ou de tout autre coût afférent au service.

Veuillez consulter notre site Web au www.zephyronline.com pour savoir si des révisions ont été apportées à la garantie.

Zephyr Ventilation Service Department, 2277 Harbor Bay Parkway, Alameda, CA 94502 1-888-880-8368

MAY20.0501

Enregistrement du produit

Nous vous félicitons d'avoir acheté un produit Zephyr. Veuillez prendre un moment pour enregistrer votre nouvelle produit au www.zephyronline.com/registration

C'EST IMPORTANT

Cet enregistrement rapide est utile à bien des égards.

- Il assure la couverture de votre garantie si vous avez besoin de service après-vente.
- À des fins d'assurance, il permet de confirmer que vous êtes le propriétaire.
- Il vous permet de recevoir des avis concernant des modifications ou des rappels de produits.



Zephyr Ventilation | 2277 Harbor Bay Pkwy. | Alameda, CA 94502 | 1.888.880.8368