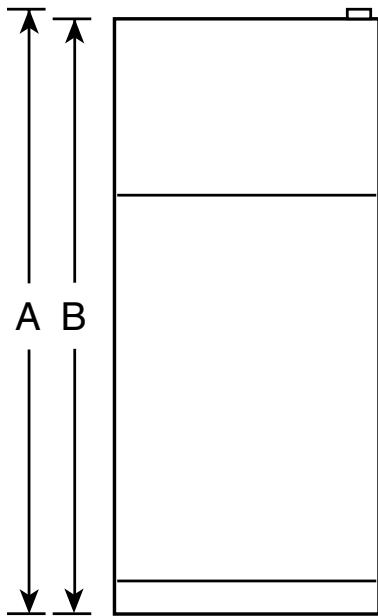


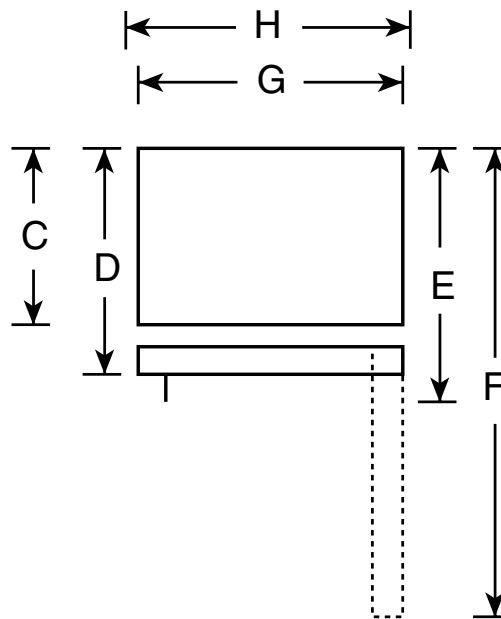
# HOTPOINT®

## HTM18IBP – Hotpoint® 17.9 Cu. Ft. Top-Freezer Refrigerator

Front View



Top View



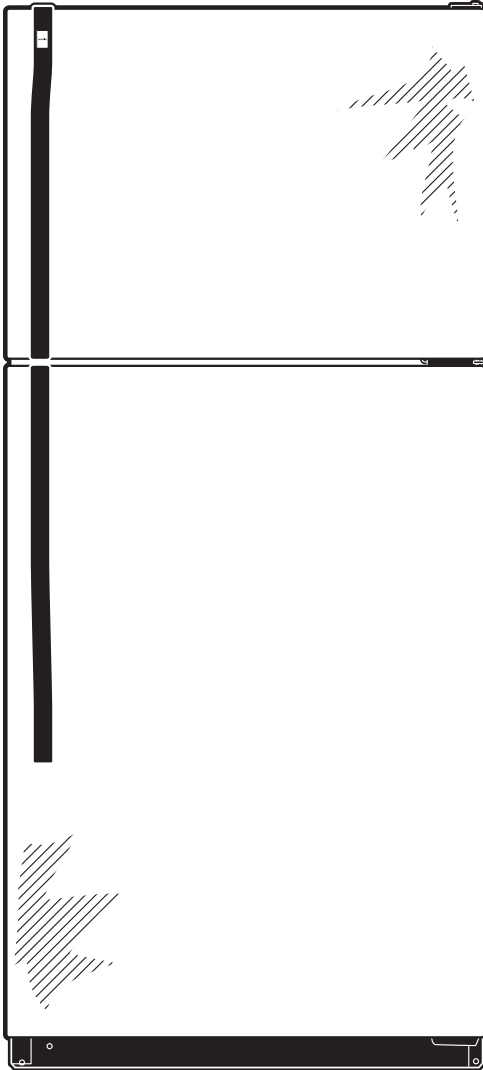
Overall Dimensions	Height to top of hinge (in.) <b>A</b>	<b>66-5/8</b>
	Height to top of case (in.) <b>B</b>	<b>66-1/8</b>
	Case depth without door (in.) <b>C</b>	<b>27-1/2</b>
	Case depth less door handle (in.) <b>D</b>	<b>30-1/4</b>
	Case depth with door handle (in.) <b>E</b>	<b>32-1/8</b>
	Depth with fresh food door open 90° (in.) <b>F</b>	<b>58-1/8</b>
	Width (in.) <b>G</b>	<b>29-1/2</b>
	Width with door open 90° with door handle (in.) <b>H</b>	<b>32</b>
Air Clearances	Each side (in.)	<b>1/8</b>
	Top (in.)	<b>1</b>
	Back (in.)	<b>1</b>

**Note:** Before installing, consult installation instructions packed with product for current dimensional data.



# HOTPOINT®

## HTM18IBP – Hotpoint® 17.9 Cu. Ft. Top-Freezer Refrigerator



### Features and Benefits

- Silver Metallic Exterior
- Illuminated Upfront Slimline Temperature Controls – Offer maximum style and convenience
- Adjustable glass shelves – Lets consumers maximize usable storage space
- Vegetable/Fruit Crispers – For easy storage of your fruits and vegetables
- Gallon Door Storage – Makes room for milk and any other gallon size containers
- Rounded Doors – Offers the signature rounded look that's seen in today's freshest kitchens
- NeverClean™ Condenser – Condenser coils are encased, so they don't require cleaning in normal operating environments
- Deluxe Quiet Design – Significantly reduces operating noise
- Model HTM18IBPSA – Silver metallic