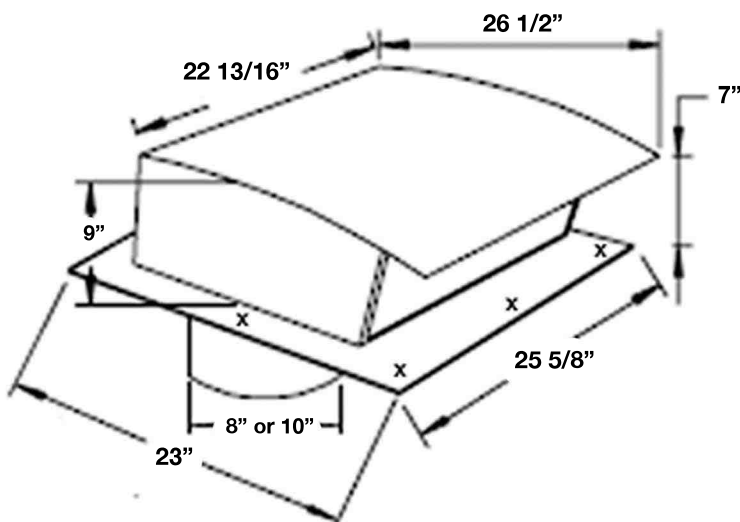


The BlueStar line of pro-style ventilation products are designed to clear the air of smoke, grease and odor. Seamless design is paired with heavy-duty construction to offer uncompromised durability, functionality and style.


**PRODUCT FEATURES**

- Quiet operation
- 3-speed or variable speed control

**MODELS AVAILABLE**
**1,000 CFM Models:**
**Galvalume Finish**
**HYEX-1.0-GA**
**1,400 CFM Models:**
**Galvalume Finish**
**HYEX-1.4-GA**


Specifications subject to change without notice.