

30" Under-Cabinet Wall Hood

800 Series – Stainless Steel DPH30652UC



BOSCH
Invented for life



DPH30652UC
Stainless Steel

Quickly and quietly clears the air of smoke and odors.

Features & Benefits

600 CFM centrifugal integrated blower included.

Allows you to adjust the performance of your hood to match the type of cooking.

Efficiently filters grease and other solid particles out of the extracted air.

Flexible design gives the ability to recirculate the air back into the kitchen.

Professional styling with deep capture area.

General Properties

| | |
|--------------------------|-------------------------------------|
| Operating mode | Convertible: ducted / recirculating |
| Maximum CFM (blower) | 600 CFM |
| CFM (HVI) | |
| Vertical Discharge | 500 HS / 170 WS |
| Horizontal Discharge | 520 HS / 180 WS |
| Sones (HVI) | |
| Vertical Discharge | 12.5 HS / 2 WS |
| Horizontal Discharge | 12.5 HS / 2 WS |
| Number of speed settings | 2-stage |
| Motor location | Integrated motor in hood body |
| Number of lights | 2 |
| Bulb type | Incandescent |
| Light lumens | 380 |
| Light color | 2700° K |
| Total power of the lamps | 80 W |
| Damper included | Yes |
| Grease filter material | Aluminum |
| Grease filter type | Multilayer cassette |

Technical Details

| | |
|-----------|---------|
| Watts | 449 W |
| Volts | 120 V |
| Frequency | 60 Hz |
| Plug type | No plug |

Dimensions & Weight

| | |
|---|-----------------------------|
| Overall appliance dimensions (width of canopy included) (HxWxD) | 11" x 30" x 23" |
| Minimum distance above cooktop / range cooking surface | Min. 30" Electric / 30" Gas |
| Diameter of air duct top | 8" |
| Diameter of air duct back | 8" |
| Net weight | 34 lbs |

Accessories – Optional

| | |
|-----------------------------|------------|
| Replacement charcoal filter | DHZ3052UC |
| Recirculation kit | DRZ3052UC* |

*DRZ3052UC recirculation kit adds 4" to height of appliance.

HS=High Speed; WS=Working Speed



Accessories: To purchase Bosch accessories, cleaners & parts please visit www.bosch-home.com/us/store or call 1-800-944-2904 (Mon to Fri 5 am to 6 pm PST, Sat 6 am to 3 pm PST).

Notes: All height, width and depth dimensions are shown in inches. BSH reserves the absolute and unrestricted right to change product materials and specifications, at any time, without notice. Consult the product's installation instructions for final dimensional data and other details prior to making cutout.

Warranties: Please see Use & Care manual or Bosch website for statement of limited warranty.

For more information on our entire line of products, go to www.bosch-home.com/us or call 1-800-944-2904

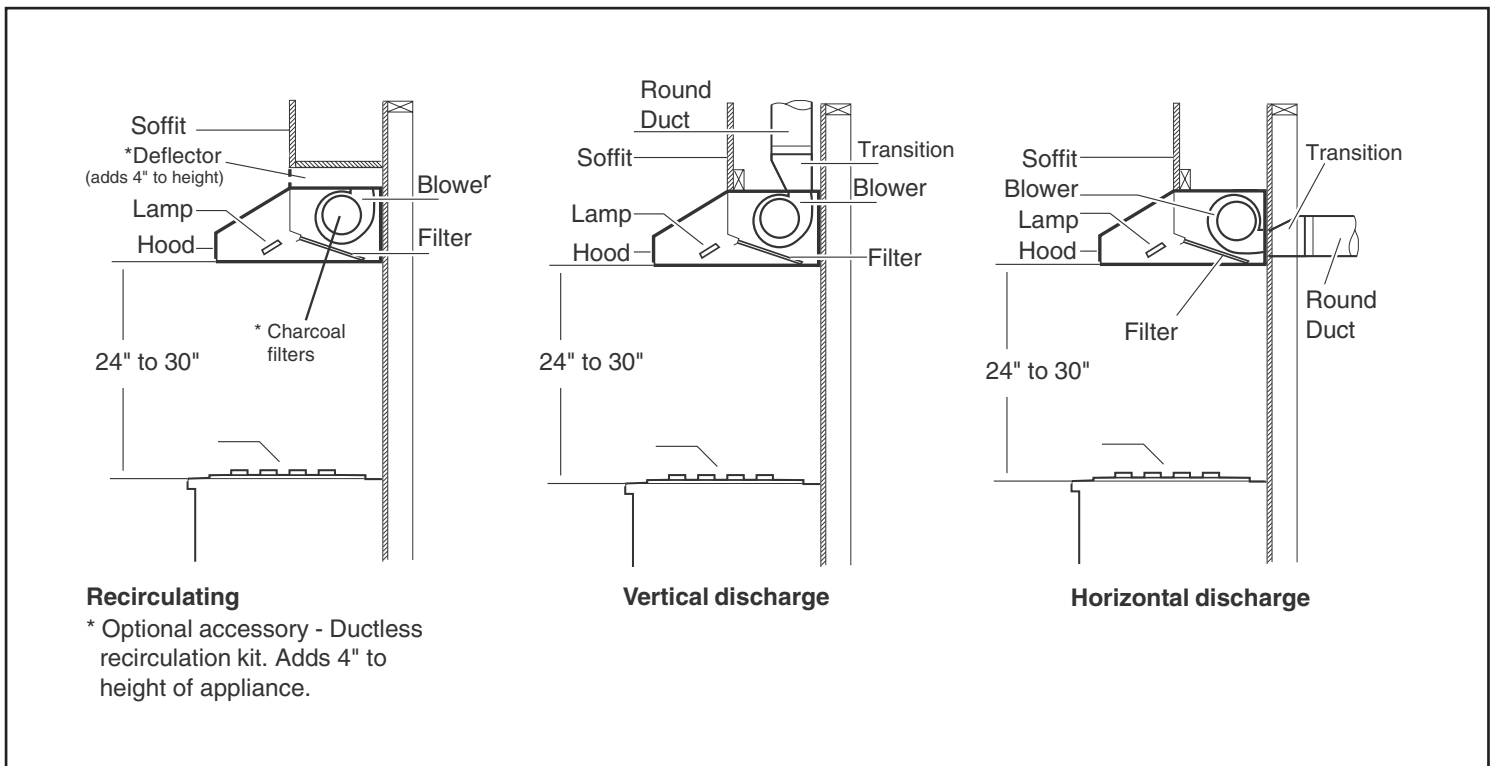
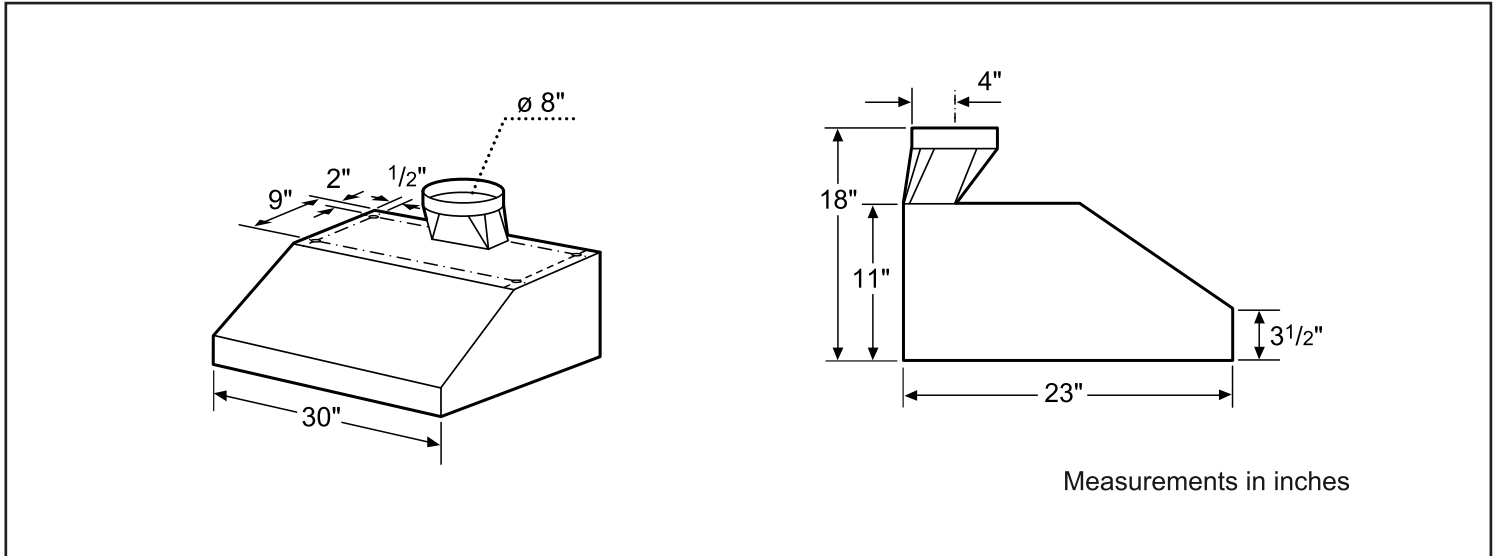
© BSH Home Appliances Corporation. All rights reserved. Bosch is a registered trademark of Robert Bosch GmbH.

30" Under-Cabinet Wall Hood

800 Series – Stainless Steel DPH30652UC



Installation Details



Accessories: To purchase Bosch accessories, cleaners & parts please visit www.bosch-home.com/us/store or call 1-800-944-2904 (Mon to Fri 5 am to 6 pm PST, Sat 6 am to 3 pm PST).

Notes: All height, width and depth dimensions are shown in inches. BSH reserves the absolute and unrestricted right to change product materials and specifications, at any time, without notice. Consult the product's installation instructions for final dimensional data and other details prior to making cutout.

Warranties: Please see Use & Care manual or Bosch website for statement of limited warranty.

For more information on our entire line of products, go to www.bosch-home.com/us or call 1-800-944-2904

© BSH Home Appliances Corporation. All rights reserved. Bosch is a registered trademark of Robert Bosch GmbH.