

GAGGENAU



VG295150CA

Stainless steel control panel

Width 36" (90 cm)

Liquid gas

VG295250CA

Stainless steel control panel

Width 36" (90 cm)

Natural gas

Included accessories

1 wok attachment ring

Optional accessories

WP 400 001

Wok pan made of multiple-layer material with round bottom and handle $\varnothing 14\frac{3}{16}$ ", 6.3 qt., height 4".

Combinable with:

AI442720

AW442720

AI230700

AW230790

AF210791

Good to know:

Wall installations require the hood to be as large as the cooktop(s). Island installations require the hood to be larger than the cooktop(s).

200 series gas cooktop

VG295

- Control panel for comfortable and secure operation
- Mechanical power level regulation for 9 power levels, with exact setting and reproduction of flame size
- Multi-ring burner of solid, heat-resistant brass as used in professional kitchen
- Solid smooth-surface cast-iron pan support
- Up to 59,700 BTU (17 kW) on 5 burners

Cooking zones

VG 295 150CA

1 multi-ring wok burner 1,000 – 18,800 BTU (300 W – 5000 W), suitable for pots up to max. $\varnothing 12\frac{5}{8}$ ".

2 two-ring high output burners 600 – 13,600 BTU (170 W – 4000 W), suitable for pots up to max. $\varnothing 11$ ".

2 two-ring standard burners 600 – 6,800 BTU (170 W – 2000 W), suitable for pots up to max. $\varnothing 9\frac{1}{2}$ ".

VG 295 250CA

1 multi-ring wok burner 1,000 – 18,800 BTU (300 W – 5500 W), suitable for pots up to max. $\varnothing 12\frac{5}{8}$ ".

2 two-ring high output burners 600 – 13,600 BTU (170 W – 4000 W), suitable for pots up to max. $\varnothing 11$ ".

2 two-ring standard burners 600 – 6,800 BTU (170 W – 2000 W), suitable for pots up to max. $\varnothing 9\frac{1}{2}$ ".

Operation

Control knobs with illuminated ring.
Integrated control panel.
One-handed operation.
Electric ignition.

Features

Three-part cast iron pan support with flat, continuous pot surface.
Brass burner rings.

Safety

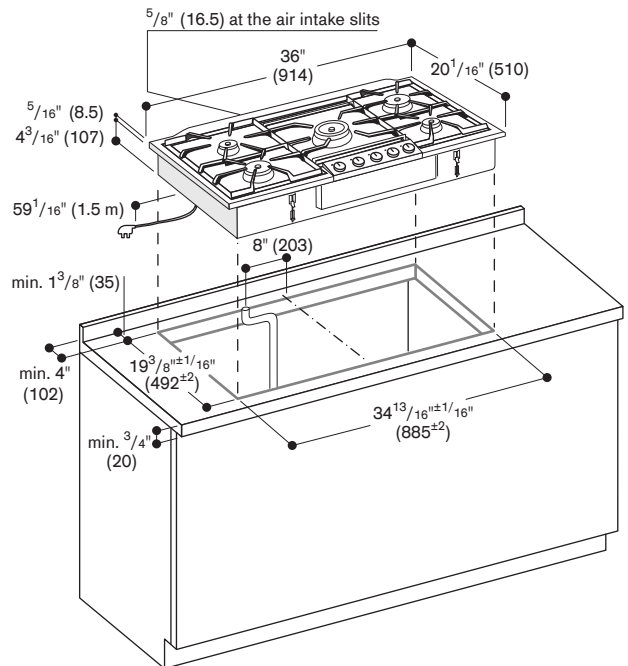
Thermoelectric safety pilot.
Residual heat indicator.
Operation indicator.

Planning notes

No intermediate shelf required.
Appliance can be snapped into the countertop from above.
The rear panel must consist of a non-flammable material. Wall trims must be resistant to heat.
Installation in a 36" (90 cm) wide base cabinet is required. Above countertop minimum clearance of at least $11\frac{13}{16}$ " from adjacent heat-sensitive furniture or contact surfaces must be observed or thermal insulation must be installed.
Minimum distance between gas cooktop(s) with more than 37,533 BTU (11kW) and ventilation hood must be 30" (76 cm). Appliance weight: approx. 68 lbs (31 kg).

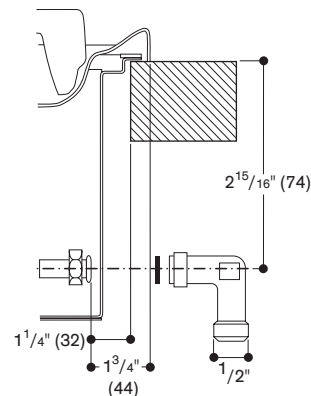
Rating

Rating: 10 W (58,000 / 59,700 BTU)
Minimum fuse protection: 15 A
Electrical: 120 V / 60 Hz
Electrical connection: Plan for a 55" long connecting cable with 3 prong NEMA 5-15 plug.



Minimum distance from the appliance cut-out to the side wall $11\frac{13}{16}$ " (300 mm).

Gas connection



Numbers indicated inside parenthesis () = mm

www.gaggenau.com/us
Revised: June 2021