

DGC 7875 XL 30" Combi-Steam Oven, Plumbed - PureLine

Features:

- Combi-Steam Ovens: Steam ovens with full fledged oven function • DirectWater Plus - water and drain plumbed in
- M-Touch Display with Motion React - Simple to use touch controls that react when approached
- Roast Probe - Precise temperature control of food
- Mix & Match - use your Miele@home app or the WiFi enabled appliance to create recipes for full meals



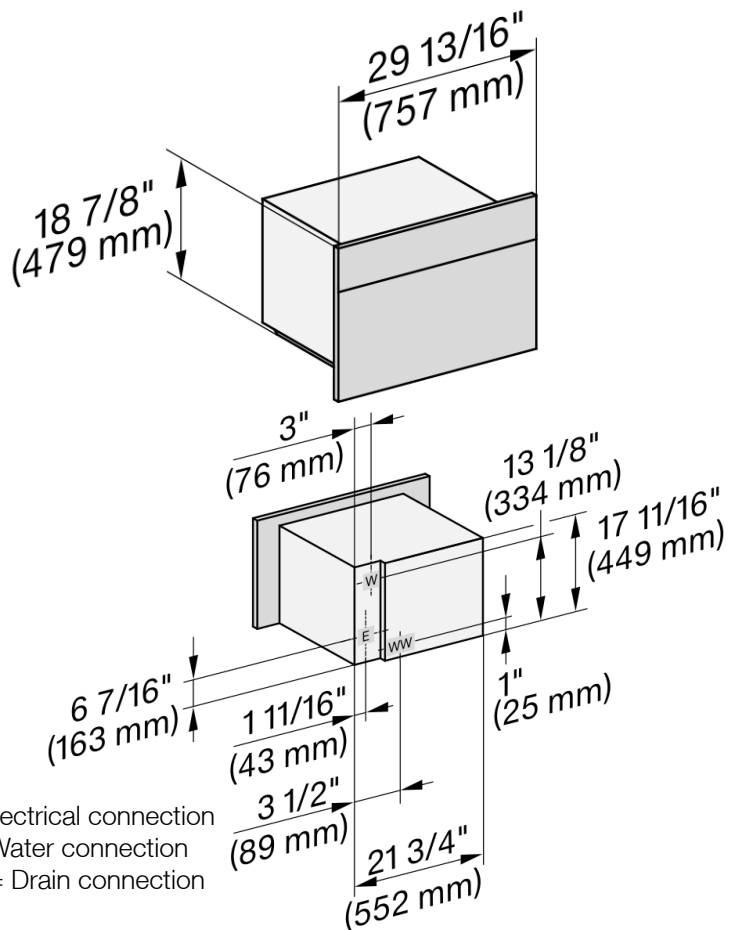
Included:

- 1 Universal Tray with Perfect Clean
- 1 Wire rack with Perfect Clean
- 1 pair FlexiClip runners with Perfect Clean
- 2 perforated stainless steel containers
- 1 solid stainless steel container

MATERIAL

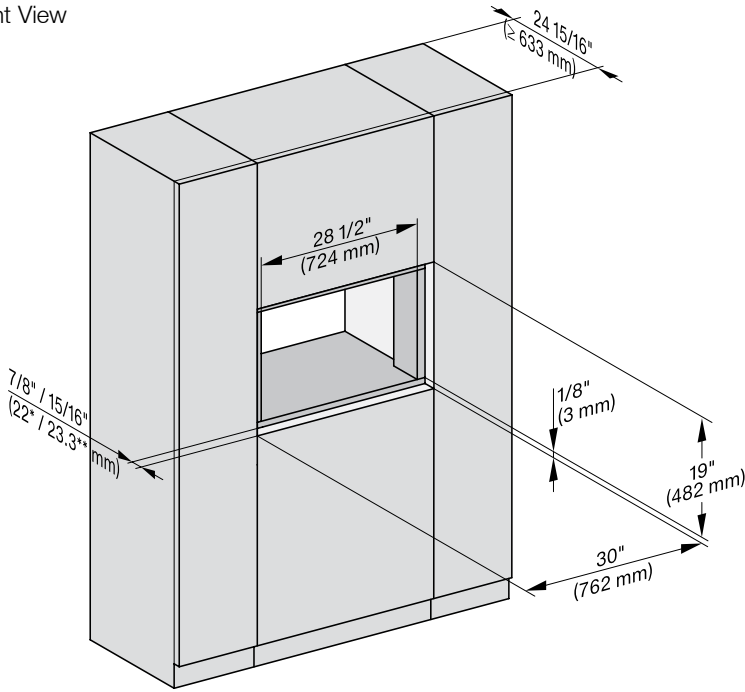
11876050

| SPECIFICATIONS | |
|----------------------------------|--|
| Overall Unit Dimensions | 29 ¹³ / ₁₆ " (757 mm) W x 18 ⁷ / ₈ " (479 mm) H x 23 ¹ / ₈ " (587 mm) D |
| Niche | |
| Minimum Cabinet Niche Opening | 28 ¹ / ₂ " (724 mm) W x 18 ¹ / ₂ " (470 mm) H x 24" (610 mm) D |
| Plumbing | |
| Water Supply Requirements | <ul style="list-style-type: none"> • Cold water connection • Male 1/4" compression fitting • Water pressure range 14.5 psi (1 bar) and 87 psi (6 bar) |
| Water Connection Line (Supplied) | Length: 6' 6" (2 m) Female 1/4" compression. |
| Drain Hose (Supplied) | Length: 9' 10" (3 m) 7/8" (22 mm) internal diameter |
| Electrical | |
| Electrical Requirements | 208V/240V, 60Hz, 20 Amps |
| Power Cord | NEMA 6-20 plug, 6' 6" (2 m) |
| Shipping | |
| Shipping Weight | 143 lbs (65 kg) |
| Shipping Dimensions | 28 ⁵ / ₈ " (726 mm) W x 29 ¹ / ₄ " (743 mm) H x 32 ¹ / ₂ " (825 mm) D |

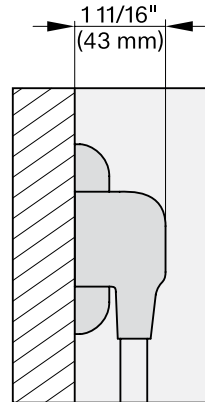
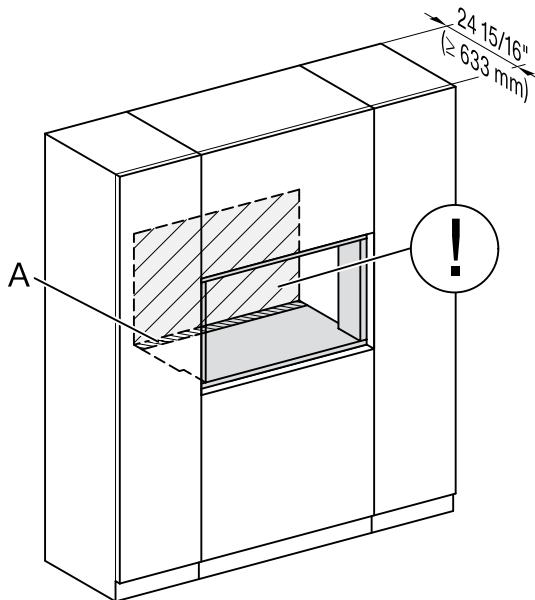
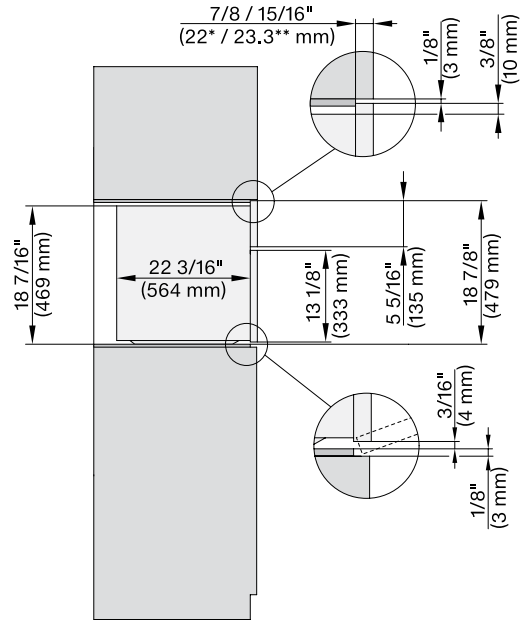


FLUSH CUTOUT DIMENSIONS

Front View



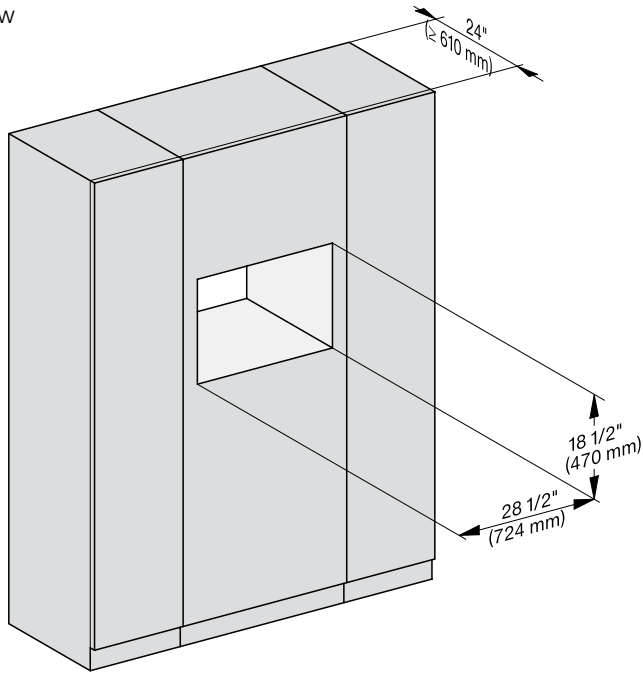
Side View



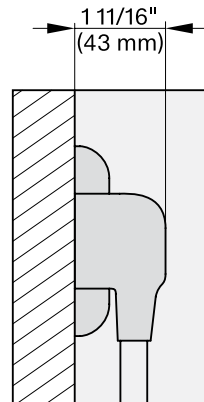
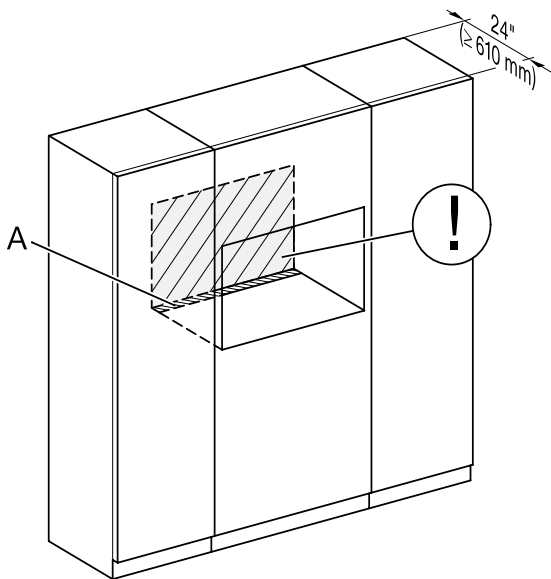
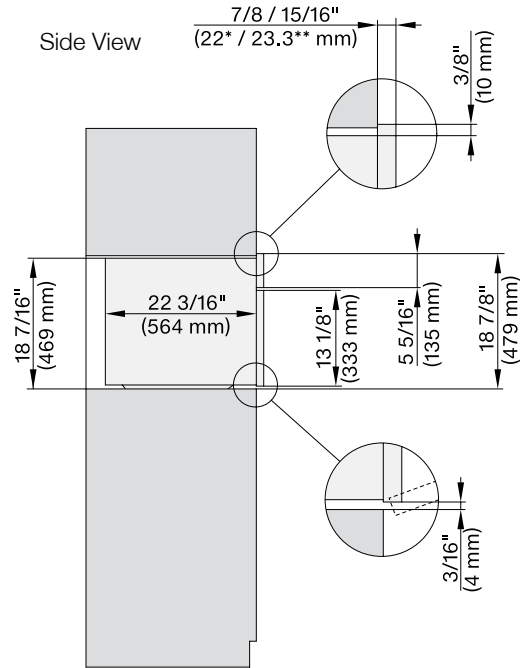
- A - Cut-out (4" x 28" [100 mm x 720 mm]) in the bottom of the cabinet for the power cord and Ventilation
- ⓘ - Electrical and water supplies are recommended to be placed in adjacent cabinetry.
Additional cabinet depth is required when placing the electrical and water supplies behind the appliance.

PROUD CUTOUT DIMENSIONS

Front View



Side View



A - Cut-out (4" x 28" [100 mm x 720 mm]) in the bottom of the cabinet for the power cord and Ventilation

⚠ - Electrical and water supplies are recommended to be placed in adjacent cabinetry.

Additional cabinet depth is required when placing the electrical and water supplies behind the appliance.