

Absinthe FFP5200 Polished Chrome

Oriented on current trends in product design, the combination of transitional style and sculptured form provide sleek aesthetics that will delight any chef day after day.

FEATURES

- Solid brass construction ensures long-lasting performance
- ECO cartridge built-in water saving feature helps conserve water during everyday kitchen tasks
- Magnetic docking system provides an intuitive, quick release and keeps the spray head securely in place when not in use
- Flexibility to serve as a main kitchen faucet, or a prep faucet

Available Finishes: Polished Chrome, Matte Black, Satin Nickel, Satin Brass

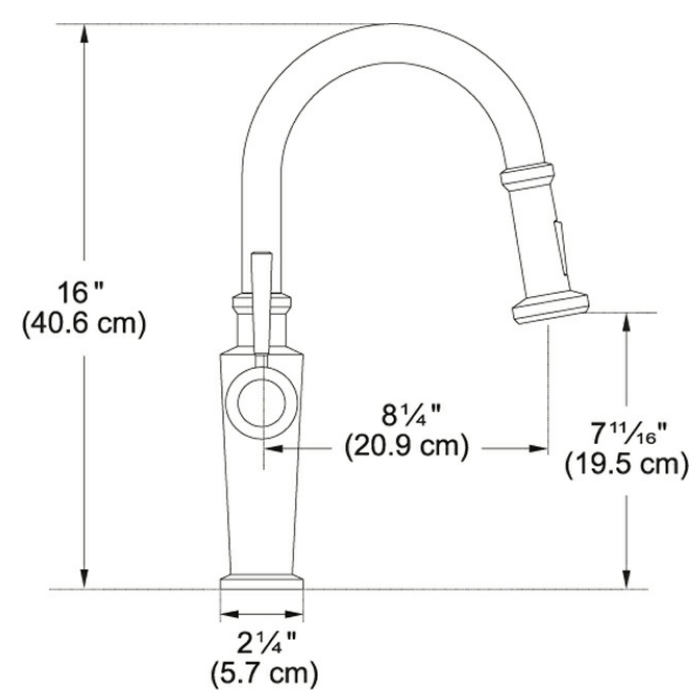
Product Picture



Product Information

Version	Bar/Prep
Spray Type	Spray & Stream
Faucet Operation	Side Lever
Flow Rate	1.75 gpm
Cartridge	28mm Ceramic Cartridge
Where to buy	Showroom
Countertop hole diameter	1 3/8"

Technical Drawing



Article Numbers

FUN#	115.0481.413
US Part Number	FFP5200

