

DGC 6865 AM

Steam oven with full-fledged oven function and XXL cavity
- the Miele all-rounder with water (plumbed) connection for discerning cooks.



EAN: 4002515628966 / material number: 10221060

- Perfect results thanks to MultiSteam technology
- Sets new standards regarding brilliance and user convenience - MTouch
- It doesn't get bigger than this – the XXL cooking compartment
- Easy to use and clean with plumbed water connection
- Custom and precise temperature control - cooking with roast probe

Construction type	
Combination steam oven	•
Design	
PureLine	•
Appliance color	Obsidian black
Control panel	M Touch
Convenience features	
Electronic temperature control of oven in °F	85-435
Electronic temperature control of steam oven in °F	105-212
External steam generation	•
Climate sensor	•
Individual humidity settings in combination cooking	•
Menu cooking without transfer of taste	•
Roast probe	•
Keep-warm function	•
Automatic programs with individual setting of the cooking result	•
Operating modes	
Defrost	•
MasterChef automatic programs	More than 200
Country-specific automatic programs	•
Combi cooking	•
Steam cooking	•
Sous-vide	•
Reheating	•
Broil	•
Convection Bake	•
Intensive bake	•
Cake plus	•
Surround	•
Browning	•
Bake	•
Convection Broil	•
Special modes	•

DGC 6865 AM

Steam oven with full-fledged oven function and XXL cavity
- the Miele all-rounder with water (plumbed) connection for discerning cooks.



Control panel	
MultiLingua	•
MyMiele	•
Show me how	•
Search function automatic programs	•
Motorized lift-up fascia	•
Steam cooking on up to 4 levels at the same time	•
Automatic menu cooking	•
Quantity-independent cooking	•
Steam reduction before end of program	•
Polyphonic acoustic signals	•
Time of day display	•
Polyphonic acoustic signals	•
Date display	•
Minute minder	•
Time buffer in h	200
Start-stop programming	•
Automatic switch-off	•
Actual temperature display	•
Acoustic signal when desired temperature is reached	•
Favorites	20
Sabbath program	•
Individual settings	•
Door	
CleanGlass door	•
Door with viewing screen	•
Door hinge side	Bottom
Cavity	
XXL cavity	•
Cavity volume in cu.ft(l)	2.51 (71)
PerfectClean stainless steel cavity	•
No. of rack levels	4
Labeling of rack levels	•
Removable side racks with PerfectClean	•
No. of halogen lamps	double
Cleaning convenience	
Cavity with PerfectClean	•
External steam generator	•
Soak program	•
Rinse program	•
Cavity drying program	•
Quick-release side racks	•
Automatic descaling	•
Steam technology and water supply	
MultiSteam	•
Fresh water connection	•
Drain connection	•
Drain filter	•
Efficiency and sustainability	
Energy-saving lighting circuit	•
Rapid PreHeat	•

DGC 6865 AM

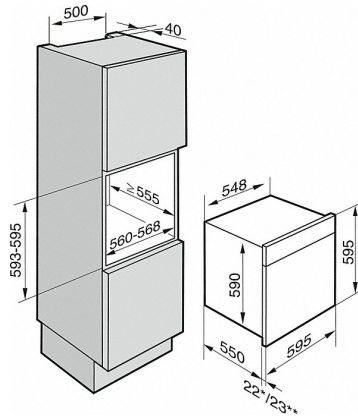
Steam oven with full-fledged oven function and XXL cavity
- the Miele all-rounder with water (plumbed) connection for discerning cooks.



Safety	
Appliance cooling system with cool touch front	•
Safety cut-out	•
System lock	•
Vapor cooling system	•
Door contact switch	•
Technical data	
Niche depth in in. (mm)	22 5/8 (572)
Appliance width in in.(mm)	23 1/2 (595)
Appliance height in in.(mm)	23 1/2 (595)
Appliance depth in in.(mm)	22 5/8 (573)
Weight in lbs. (kg)	108 (48.9)
Usable voltage range in V	240/208
Fuse rating in A	20
Number of phases	2
Standard accessories	
No. of universal baking trays with PerfectClean	1
Combi rack with PerfectClean	1
Side racks with PerfectClean	•
No. of perforated stainless steel containers	2
No. of unperforated stainless steel containers	1
Grease filter	•
Connection wire with plug	•
Water intake hose length in m	6 (2.0)
Water drain hose length in m	9 (3.0)
Descaling tablets	•

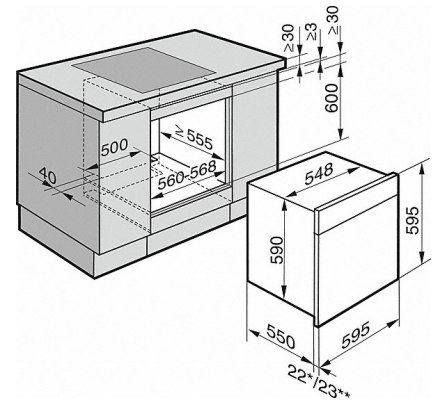
DGC 6865 AM

Steam oven with full-fledged oven function and XXL cavity
- the Miele all-rounder with water (plumbed) connection for discerning cooks.



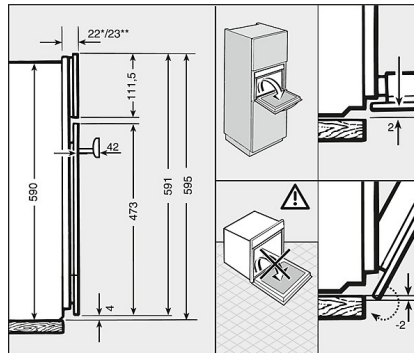
DGC 6000 built in wall unit, CLST (Installation drawing)

- * Appliances with glass front
- ** Appliances with metal front



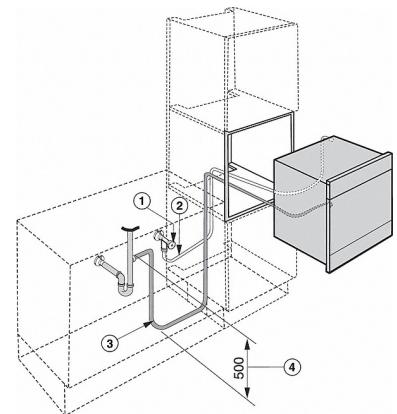
DGC 6000, CLST (Skizze)

- * Appliances with glass front
- ** Appliances with metal front



DGC 6000 XXL PureLine (detailed installation drawing)

- * Appliances with glass front
- ** Appliances with metal front

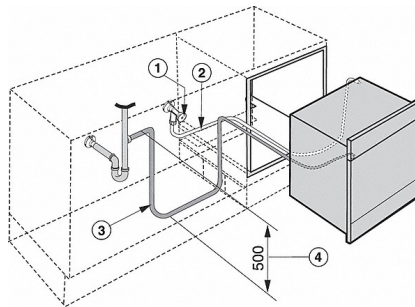


DGC 6000 built in wall unit, CLST (Installation drawing)

- 1) Stopcock (cold water connection) with 3/4" connection thread
- 2) Water inlet hose, L = 2000 mm
- 3) Drain hose, L = 3000 mm
- 4) The distance between the top of the drain hose and the odour trap must not exceed 500 mm.

DGC 6865 AM

Steam oven with full-fledged oven function and XXL cavity
- the Miele all-rounder with water (plumbed) connection for discerning cooks.



DGC 6000 built in base unit, CLST (Installation drawing)

- 1) Stopcock (cold water connection) with 3/4" connection thread
- 2) Water inlet hose, L = 2000 mm
- 3) Drain hose, L = 3000 mm
- 4) The distance between the top of the drain hose and the odour trap must not exceed 500 mm.