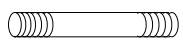


euø style™

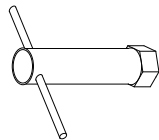
Assembly Instructions DONALD DESK 47"x20"



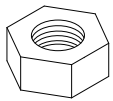
A (4 pcs)
Ø8x700mm



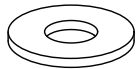
B (4 pcs)
Ø8x30mm



C (1 pc)
M8



D (4 pcs)
M8



E (4 pcs)
Ø8x20mm

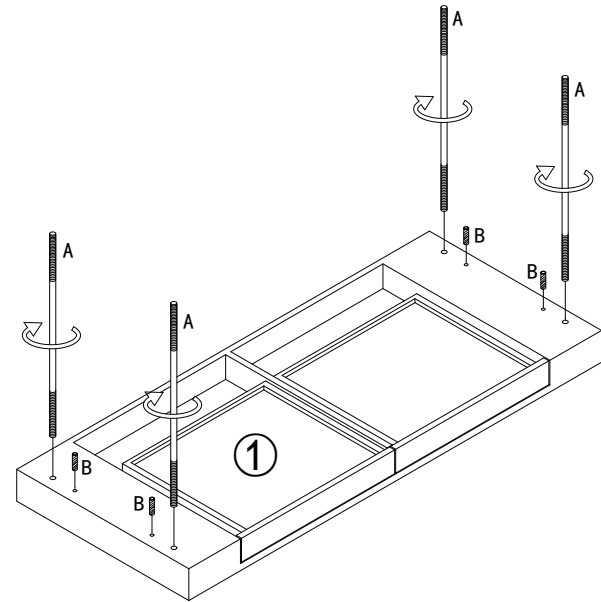


G (4 pcs)
Ø35x5mm

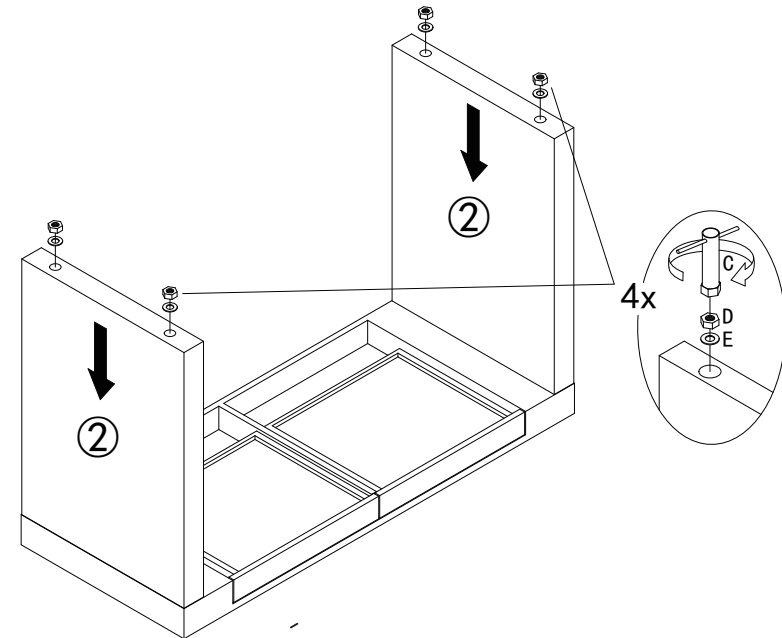
04.27.20 so

PLEASE NOTE: Check that you have received all components and hardware before assembling. If you are missing any parts, contact your retailer.

1▷



2▷



During assembly, hand tighten screws only. When the screws are in place, tighten completely.