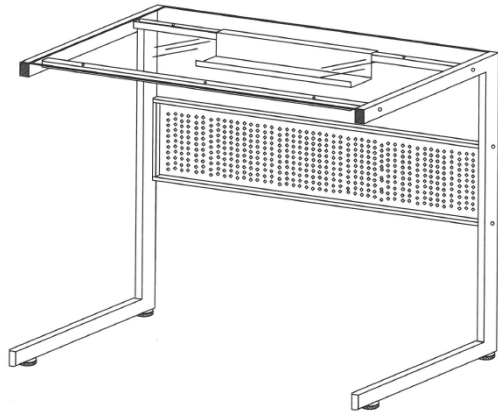
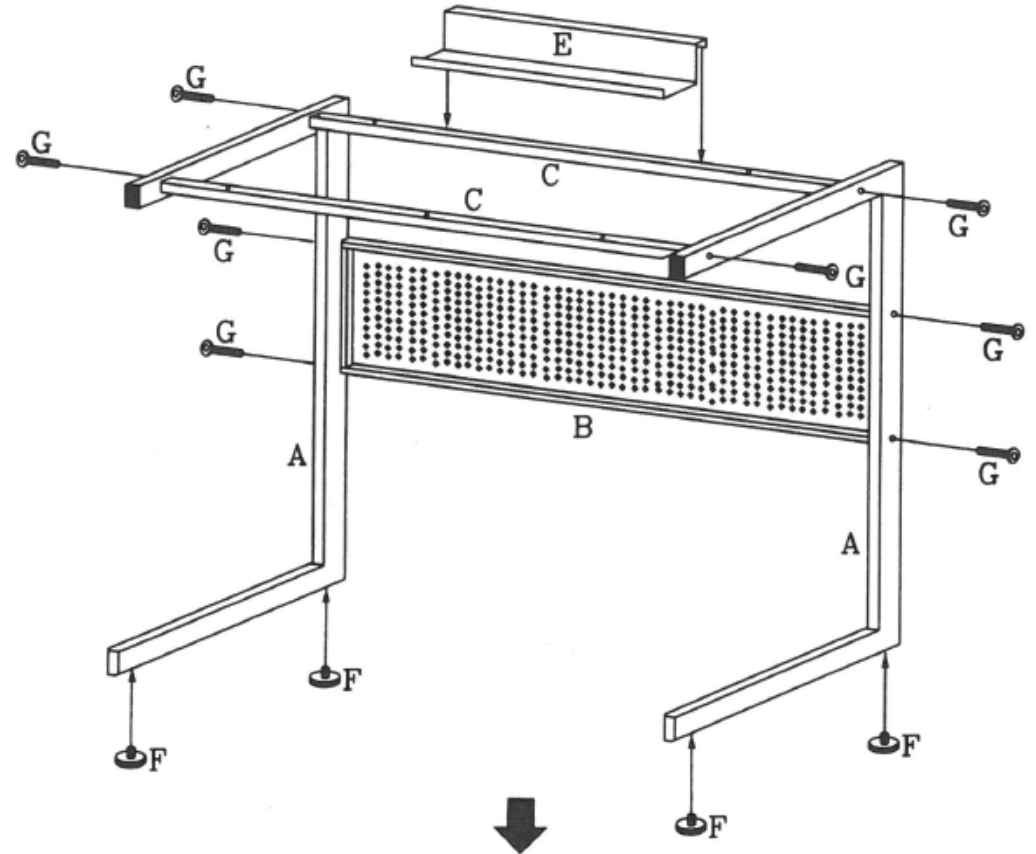


Assembly Instructions CAESAR 54" Desk



STEP 1



A (2 pcs)



B (1 pc)



C (2 pcs)



D (1 pc)



E (1 pc)



F (4 pcs)



G (8 pcs)
1/4 x50mm



H (6 pcs)



I (8 pcs)

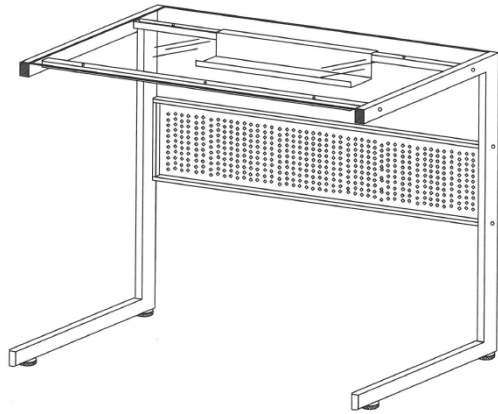


J (1 pc)
4mm

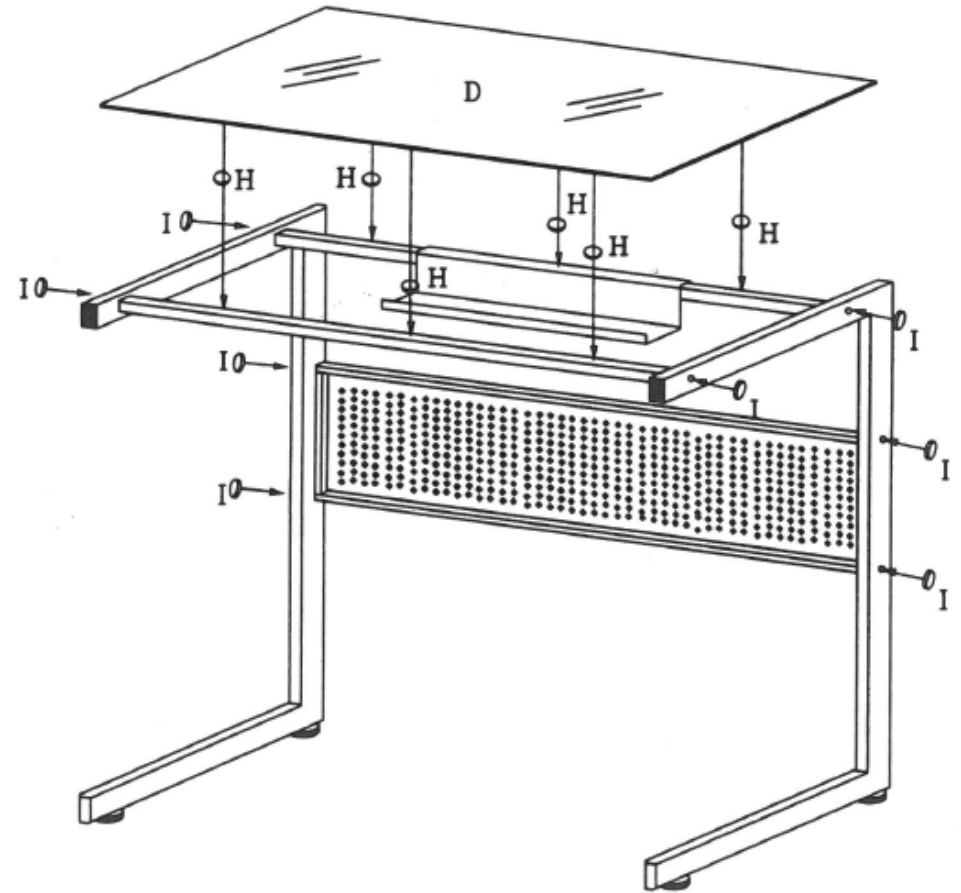
PLEASE NOTE: Check that you have received all components and hardware before assembling. If you are missing any parts, contact your retailer.

During assembly, hand tighten screws only. When the screws are in place, tighten completely.

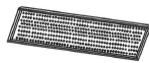
Assembly Instructions CAESAR 34" Desk



STEP 2



A (2 pcs)



B (1 pc)



C (2 pcs)



D (1 pc)



E (1 pc)



F (4 pcs)



G (8 pcs)
1/4 x50mm



H (6 pcs)



I (8 pcs)



J (1 pc)
4mm

PLEASE NOTE: Check that you have received all components and hardware before assembling. If you are missing any parts, contact your retailer.

During assembly, hand tighten screws only. When the screws are in place, tighten completely.