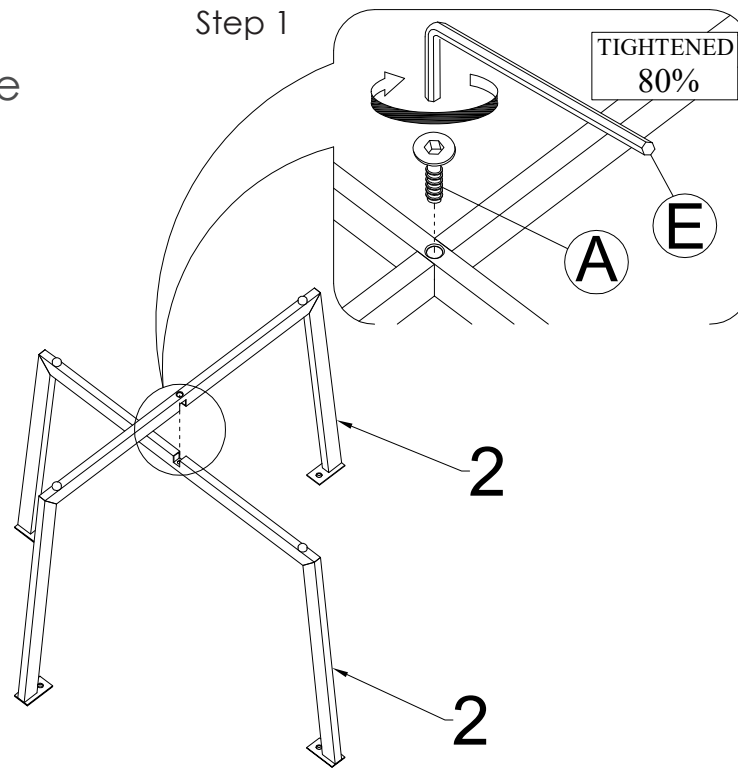


# eurowstyle™

## Assembly Instructions LLONA-36 Round Coffee Table

PLEASE NOTE: Check that you have received all components and hardware before assembling. If you are missing any parts, contact your retailer.



Step &

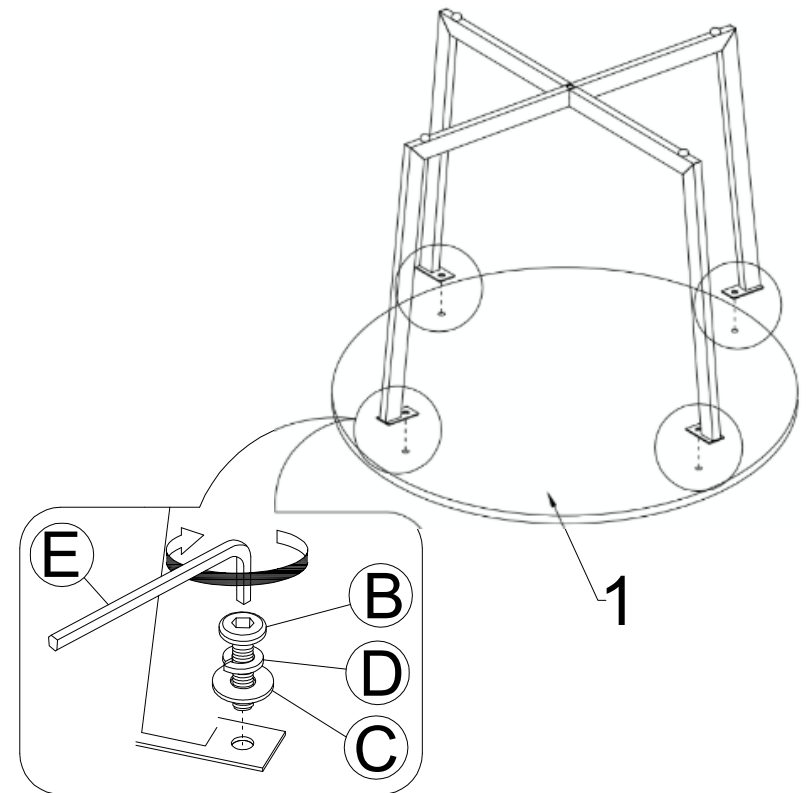


TABLE TOP



1 (1 pc)

LEG



2 (2 pcs)



A (1 pc)  
M6 x 25MM



B (4 pcs)  
M6 x 16MM



C (4 pcs)



D (4 pcs)



E (1 pc)

11.26.19 so

During assembly, hand tighten screws only. When all screws are in place, then tighten completely.

# euø style™

## Assembly Instructions

### LLONA-36 Round Coffee Table



PLEASE NOTE: Check that you have received all components and hardware before assembling. If you are missing any parts, contact your retailer.

Step 3

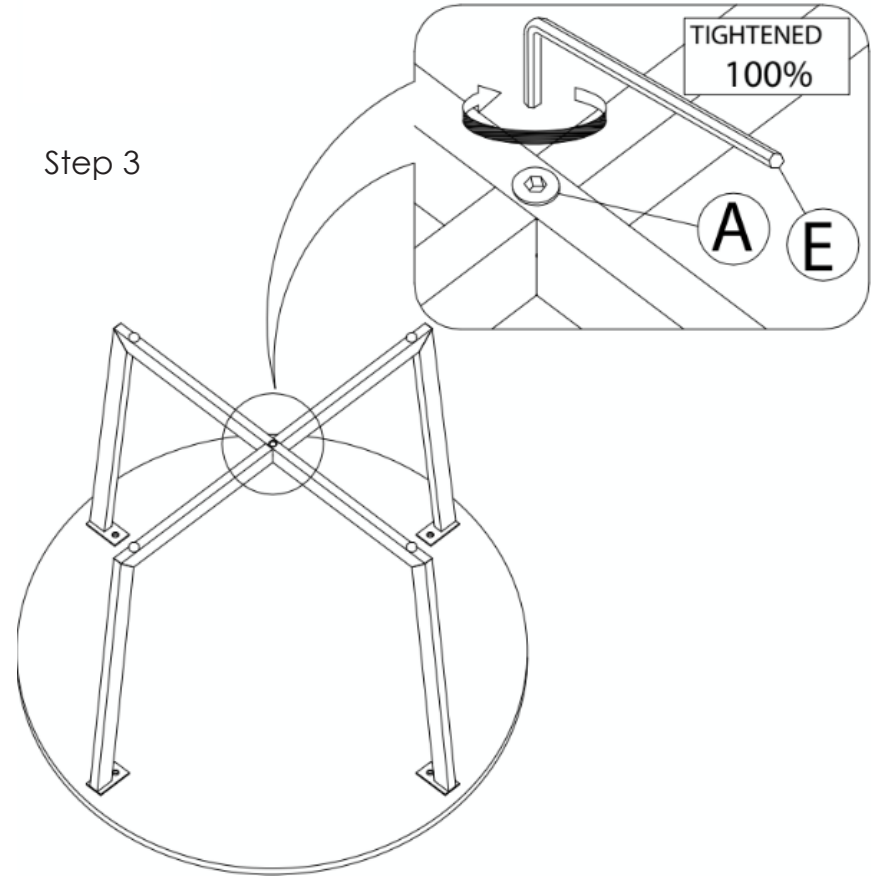


TABLE TOP



1 (1 pc)

LEG



2 (2 pcs)



A (1 pc)  
M6 x 25MM



B (4 pcs)  
M6 x 16MM



C (4 pcs)



D (4 pcs)



E (1 pc)

11.26.19 so

During assembly, hand tighten screws only. When all screws are in place, then tighten completely.