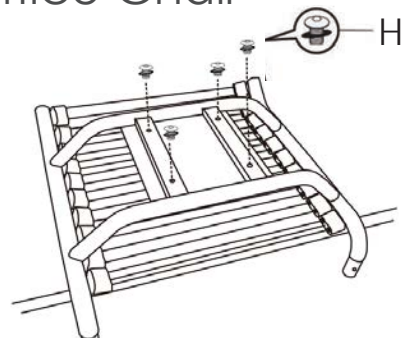


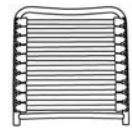
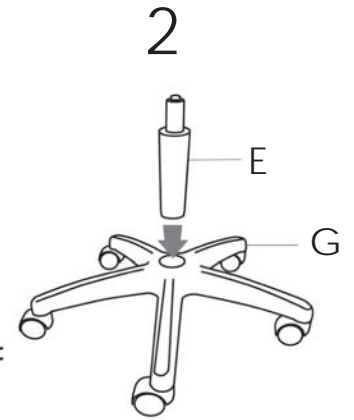
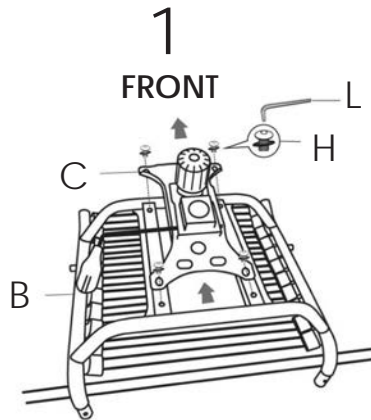
euø style™

Assembly Instructions

BRADLEY Bungie Office Chair



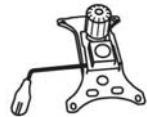
IMPORTANT NOTE: Screws and washers (Parts H) are preassembled into the underside of the seat (Part B). Remove screws and washers from seat and then use to attach Part C to Part B, as shown in step 1.



A (1 pc)



B (1 pc)



C (1 pc)



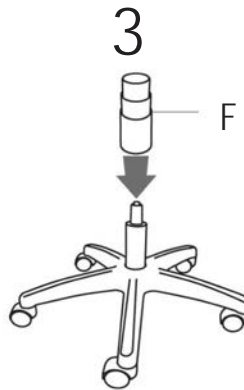
D (2 pcs)



E (1 pc)

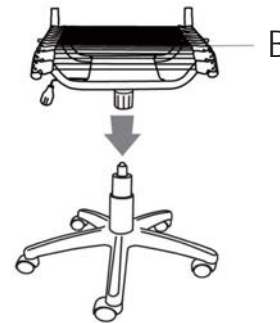


F (1 pc)

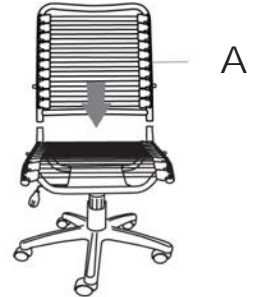


3

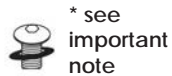
4



5



G (1 pc)



H (4 pcs)
M8 x 14mm



I (2 pcs)
1/4" x 5/8"



J (4 pcs)
M8 x 30mm



K (4 pcs)



L (1 pc)
5mm

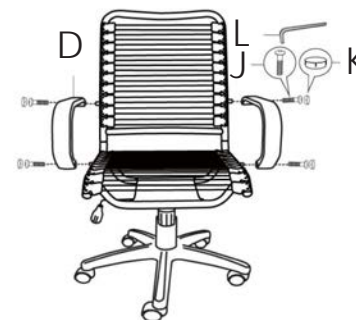


M (1 pc)
4mm

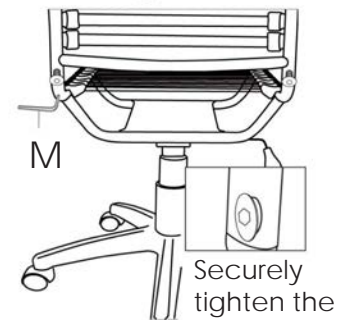


6

7



8



Securely tighten the