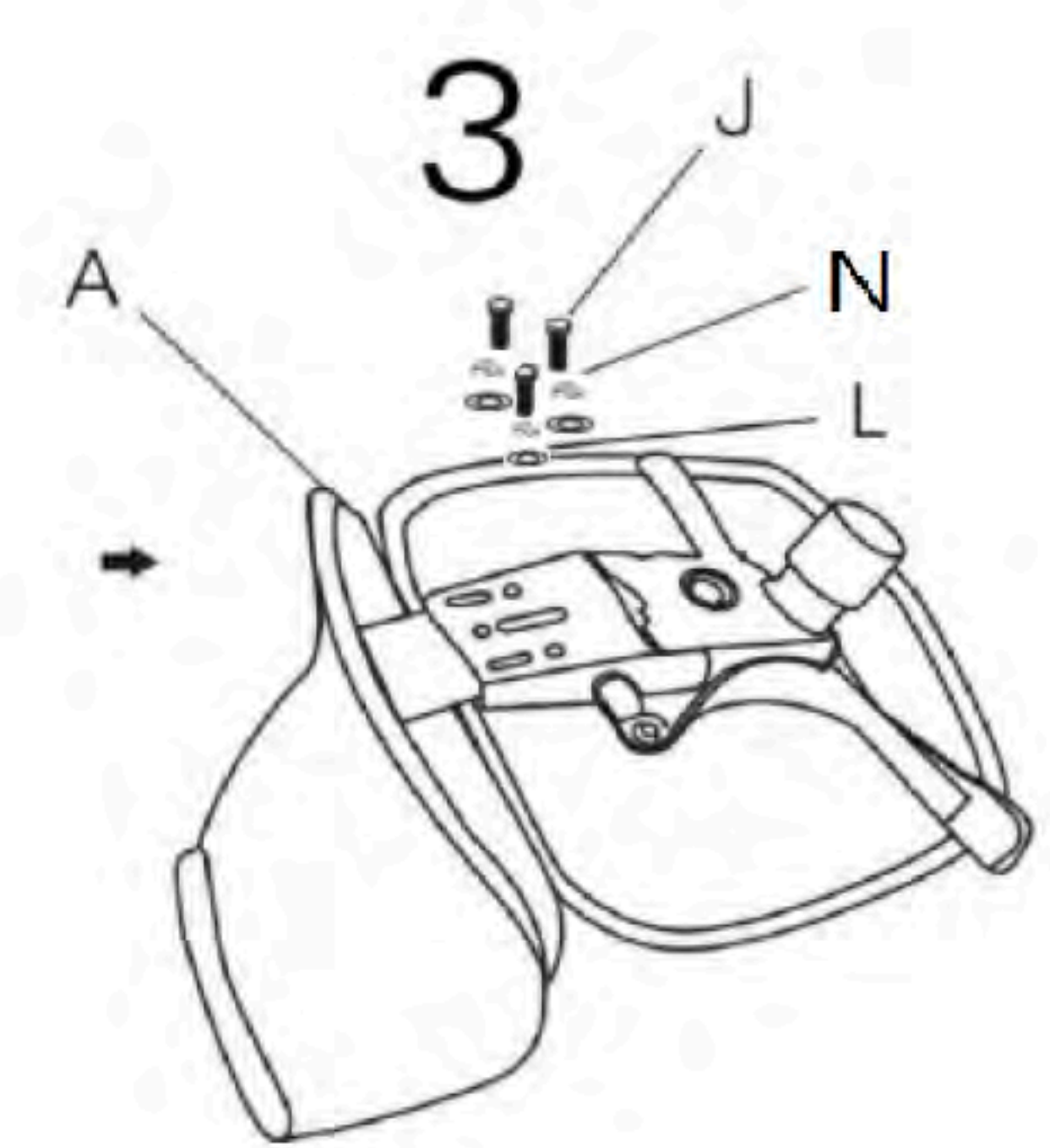
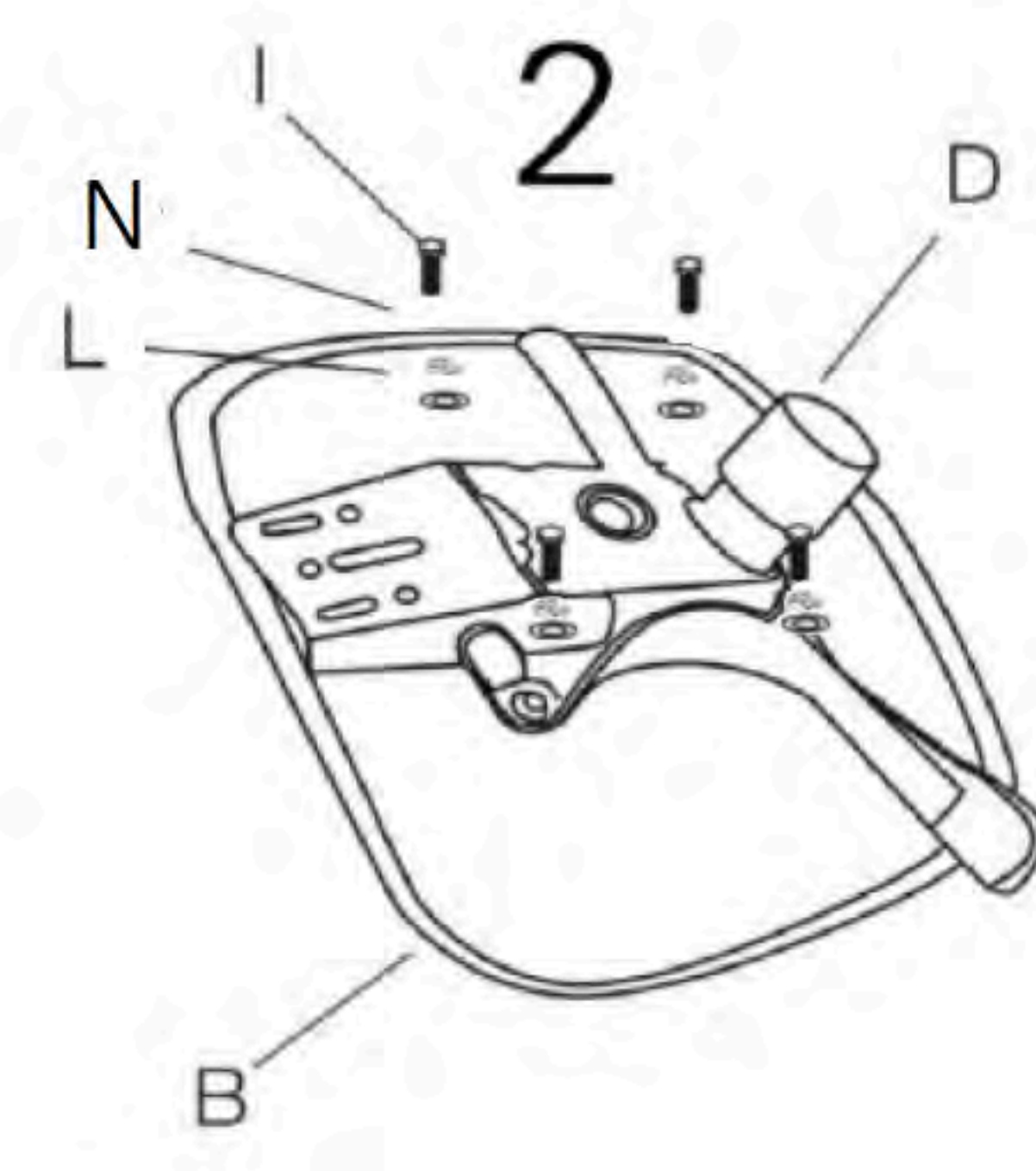
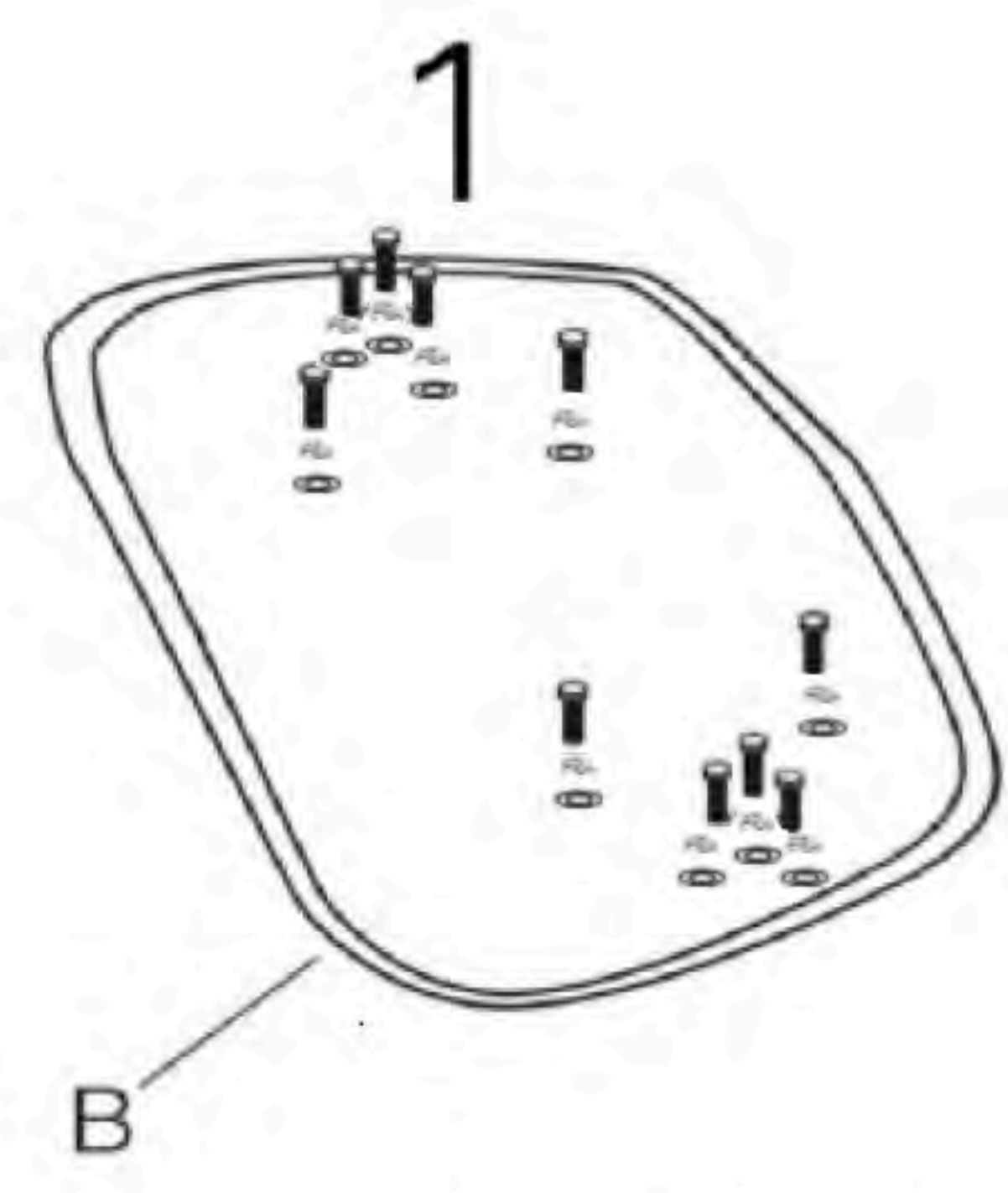


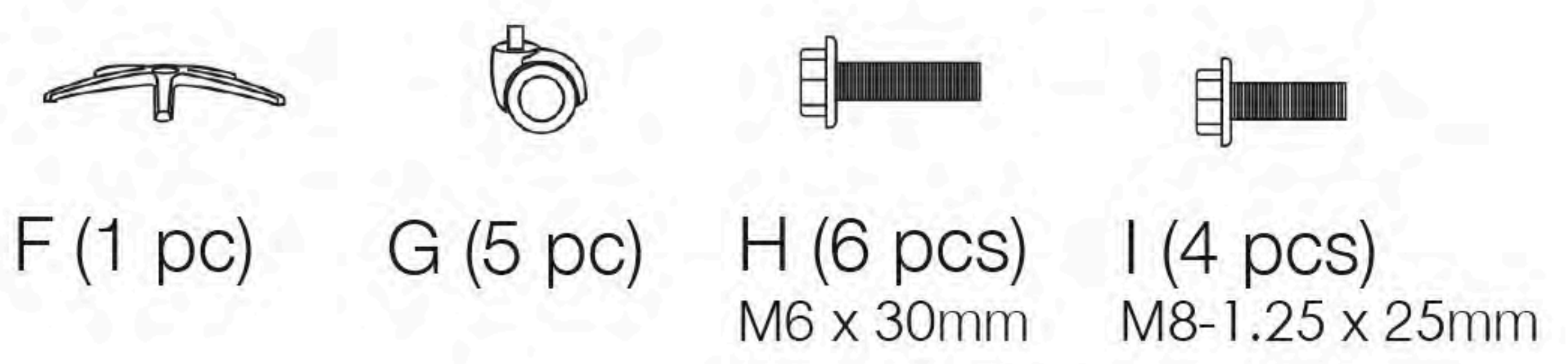
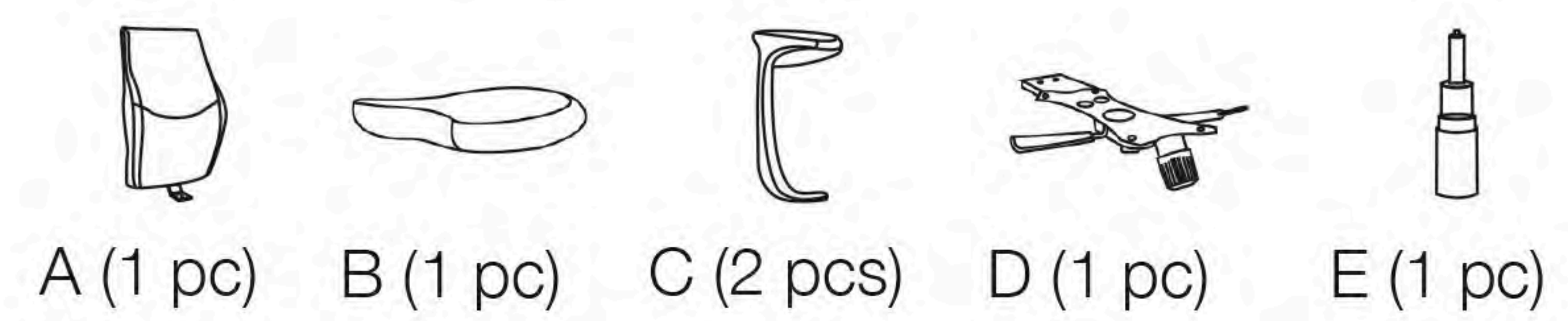
# euro style™

## Assembly Instructions CROSBY Low Back Office Chair

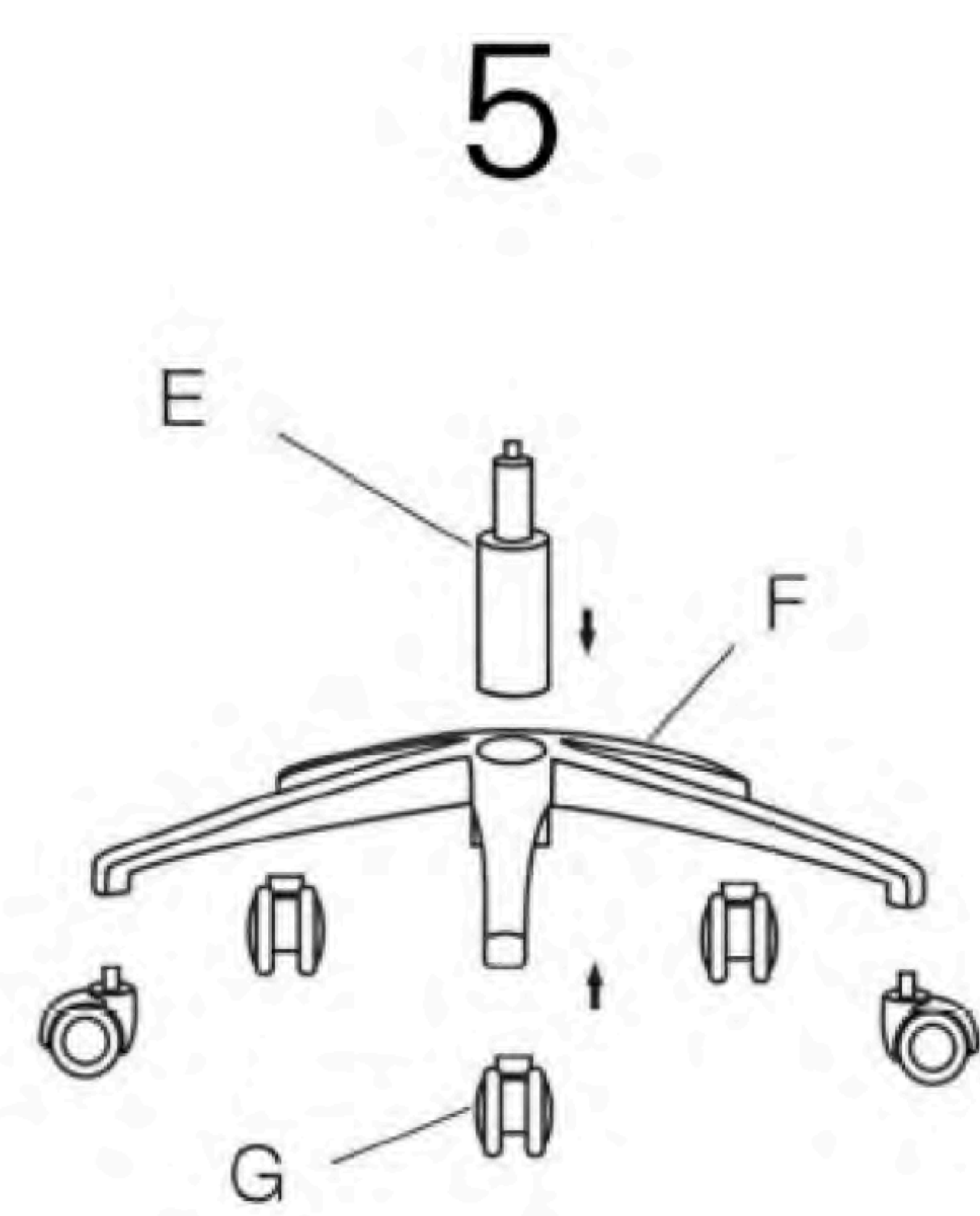
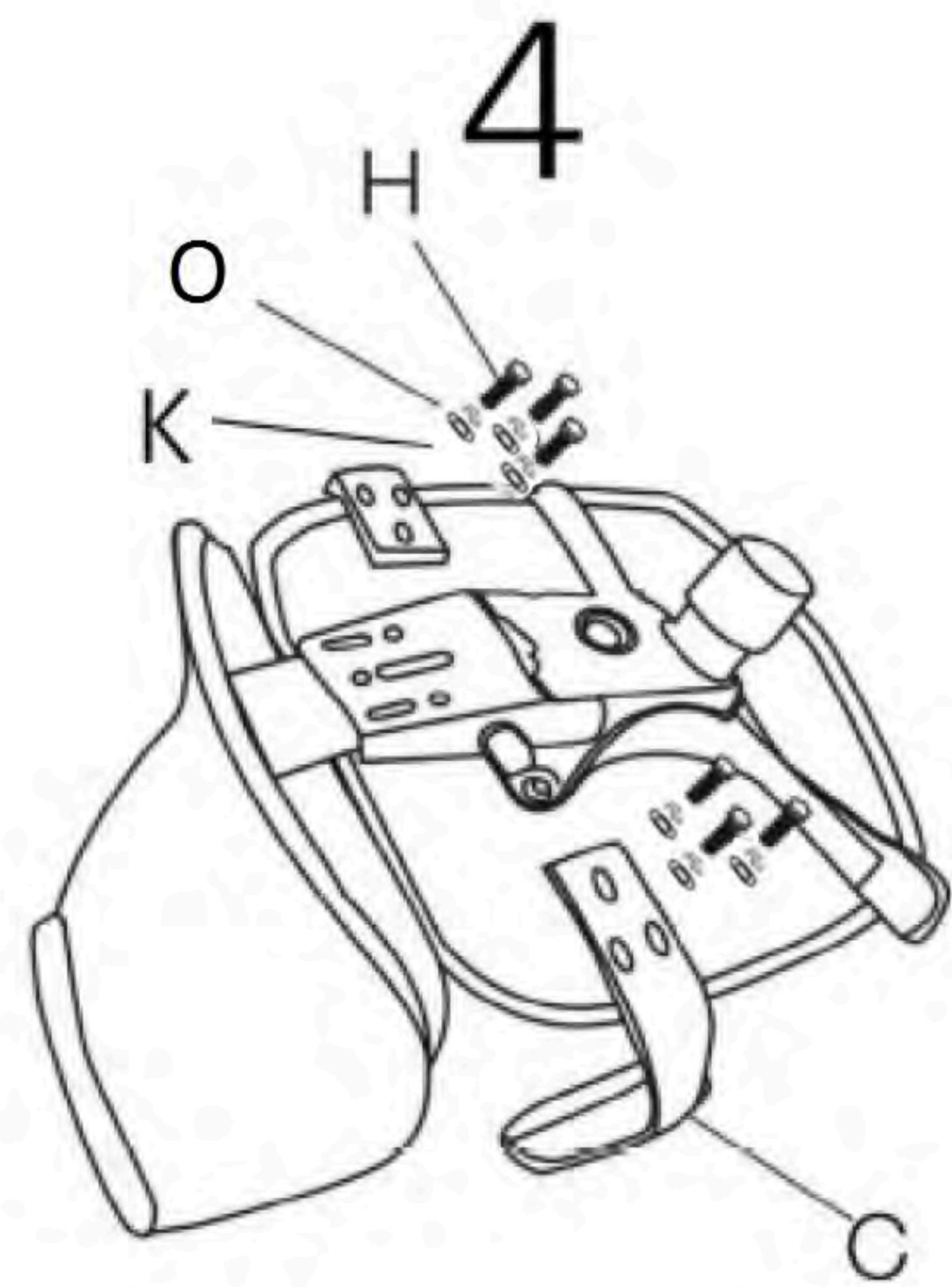
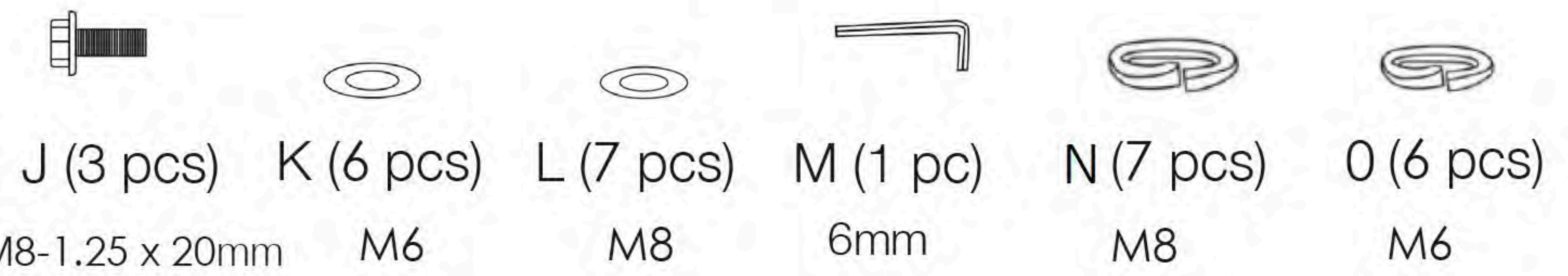
PLEASE NOTE: Check that you have received all components and hardware before assembling. If you are missing any parts, contact your retailer.



Please remove the pre-assembled screws and washers from the seat and use them to proceed with steps 2-3.



**Note:** Parts H and I are pre-assembled and need to be removed, for assembly.



During assembly, hand tighten screws only. When the screws are in place, tighten completely.