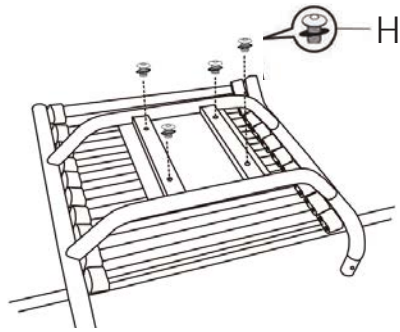


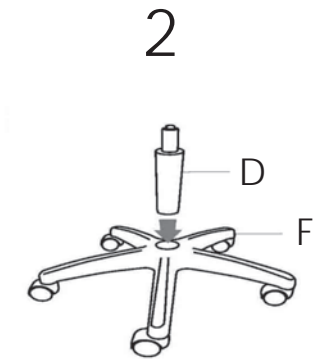
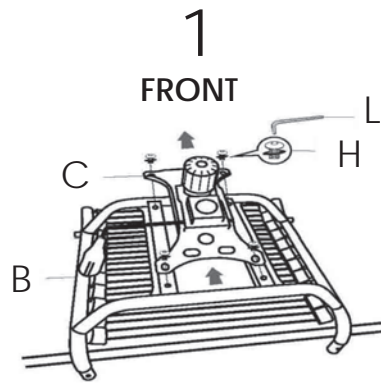
euø style™

Assembly Instructions

BUNGIE Flat High Back Office Chair



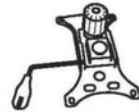
IMPORTANT NOTE: Screws and washers (Parts H) are preassembled into the underside of the seat (Part B). Remove screws and washers from seat and then use to attach Part C to Part B, as shown in step 1.



A (1 pc)



B (1 pc)



C (1 pc)



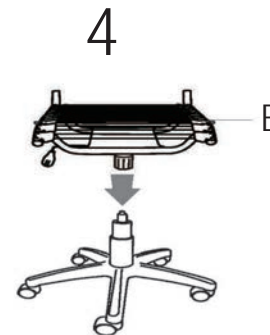
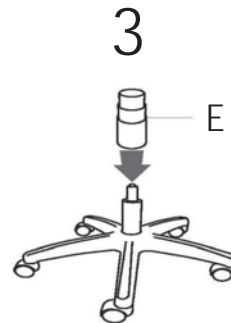
D (1 pc)



E (1 pc)



F (1 pc)



G (2 pcs)



H (4 pcs)
M8 x 14mm



I (2 pcs)
1/4" x 5/8"



J (4 pcs)
M8 x 40mm



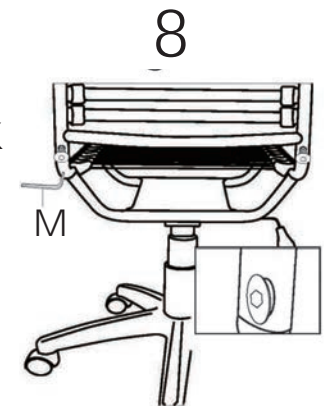
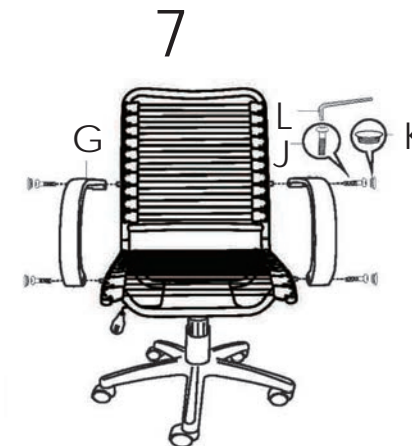
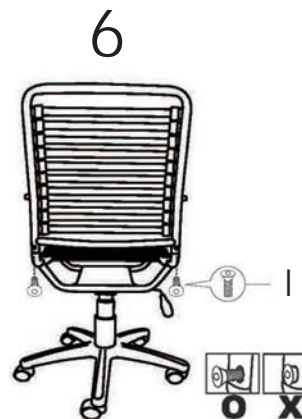
K (4 pcs)



L (1 pc)
5mm



M (1 pc)
4mm



During assembly, hand tighten screws only. When the screws are in place, tighten completely.