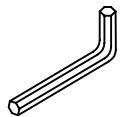
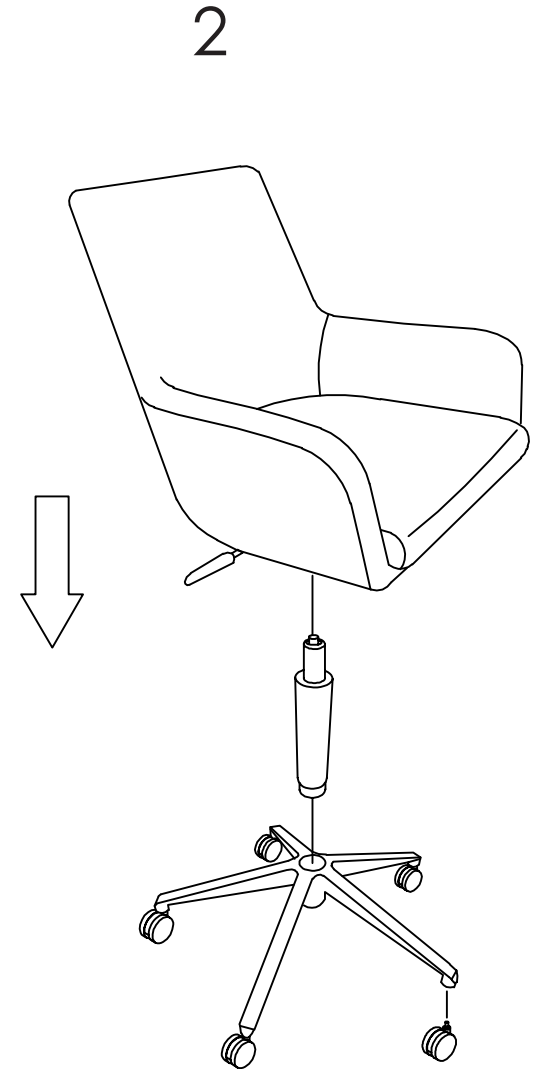
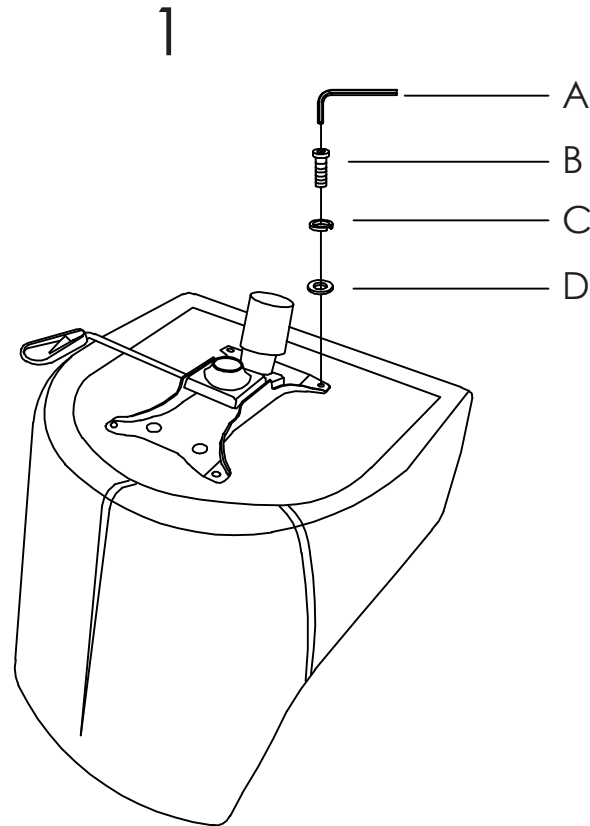


## Assembly Instructions CALAIS Office Chair

PLEASE NOTE: Check that you have received all components and hardware before assembling. If you are missing any parts, contact your retailer.



A (1 pc)  
4mm



B (4 pcs)  
M6-1 x 15mm



C (4 pcs)  
ø6



D (4 pcs)  
ø6

During assembly, hand tighten screws only. When the screws are in place, tighten completely.