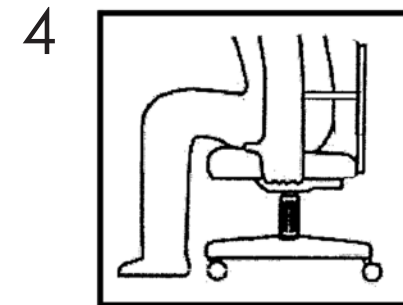
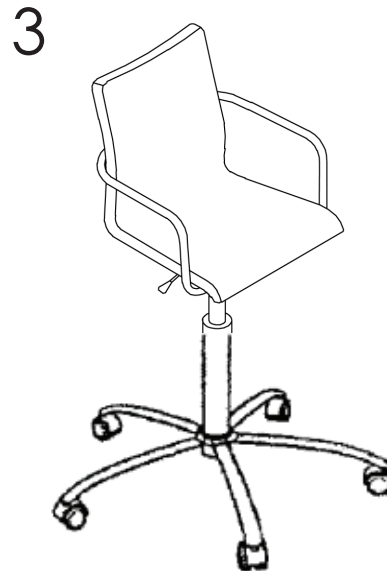
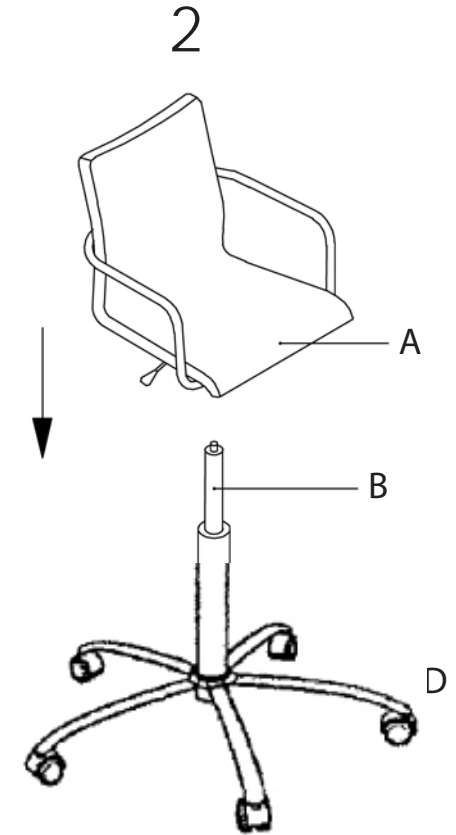
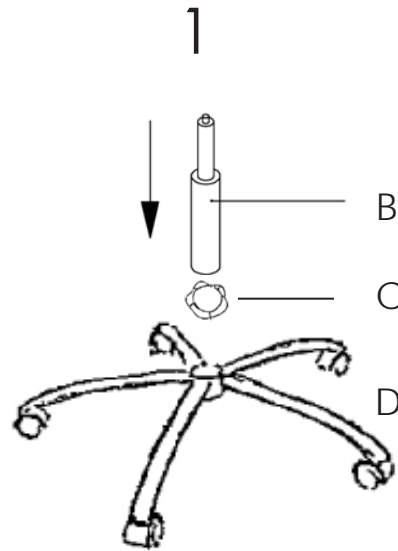


## Assembly Instructions CHLOE Office Chair

PLEASE NOTE: Check that you have received all components and hardware before assembling. If you are missing any parts, contact your retailer.



Use body weight to tighten the joint on the column and the seat.

During assembly, hand tighten screws only. When all screws are in place, then tighten completely.



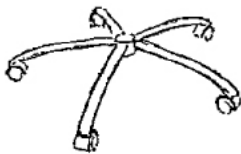
A (1 pc)



B (1 pc)



C (1 pc)



D (1 pc)