

Miele

30" Electric Range

HR 1421 E

30" Induction Range

HR 1622-2 i



30" Electric and Induction Range

SPECIFICATIONS	
Overall Unit Dimensions	29 ¹⁵ / ₁₆ " (762 mm) W x 35 ¹ / ₂ " — 37" (902 — 940 mm) H x 26 ¹ / ₂ " (678 mm) D [Depth to control panel]
Oven Door Clearance	25" (635 mm)
Niche	
Minimum Cabinet Niche Opening	30" (762 mm) W x 35 ¹ / ₂ " (902 mm) H
Electrical	
Electrical Requirements	120/208-240V, 60Hz, 50 Amps
Power Cord	NEMA 14-50p, 5' 11" (1.8m)
Plumbing	HR 1421 E HR 1622-2 i
Plumbing Requirements	- An Inline water filter, like activated carbon, is required to reduce mineral deposits. Do not connect to a Reverse Osmosis (RO) water system. Connect to a cold water supply only. Must be connected to a shut-off valve. The water shut-off valve must be accessible after installation. The water pressure must be between 14.5 and 145 psi (1 and 10 bars). If the pressure is higher, install a pressure reducing valve.
Plumbed Hose Connection	- Supplied hose: flexible braided 4'11" (1.5 m) with 3/8" O.D. compression fitting for connection to a shut off valve. The total hose length must not exceed 24.5 ft. (7.5 m).
Shipping	HR 1421 E HR 1622-2 i
Shipping Weight	324.7 lbs (147.3kg) 337.3 lbs (153 kg)
Shipping Dimensions	37 ⁷ / ₁₆ " (950 mm) W x 52" (1,294 mm) H x 31 ¹ / ₂ " (800 mm) D
Support	
Call Miele	(800) 999-1360
Miele Website	www.mieleusa.com
20/20 Link	2020technologies.com

Electric:



HR 1421 E (208V)
Item 25142150USA

HR 1421 E (240V)
Item 25142151USA

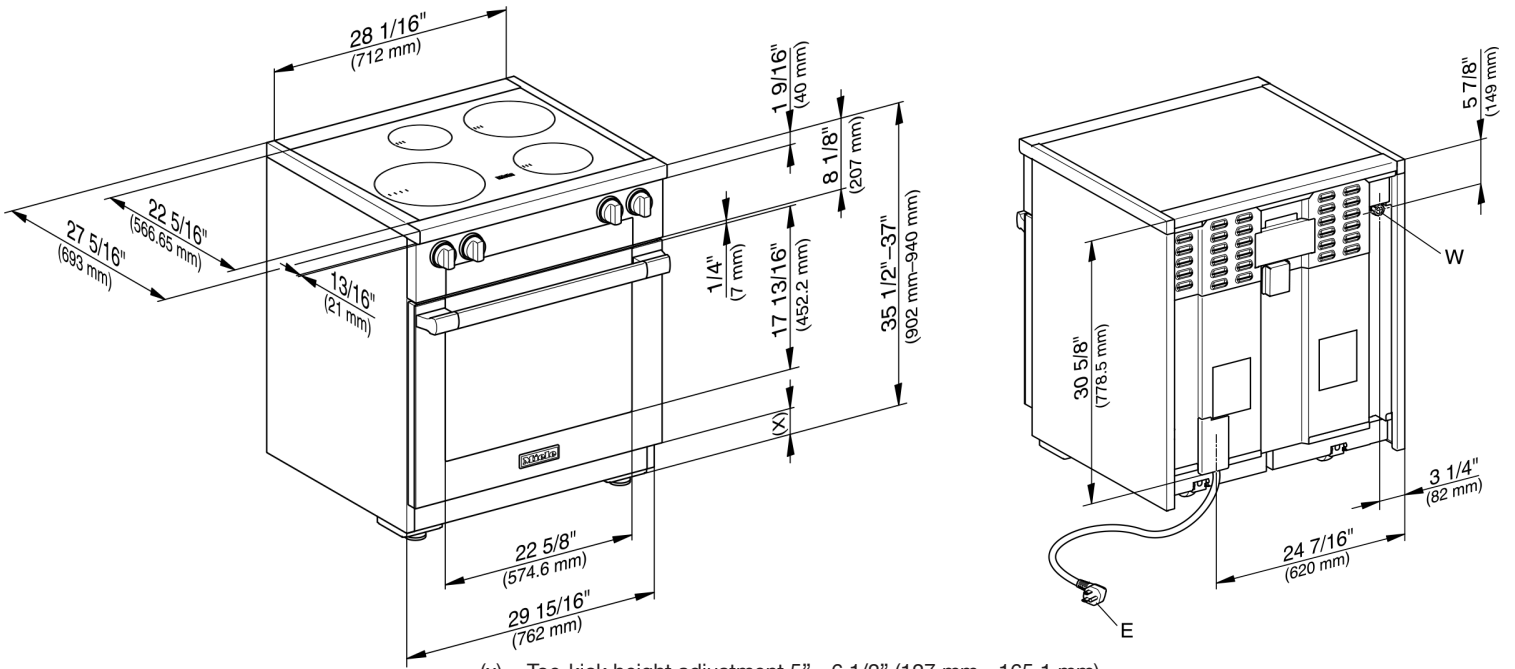
Induction:



HR 1622-2 i (208 / 240 V)
Item 25162271USA

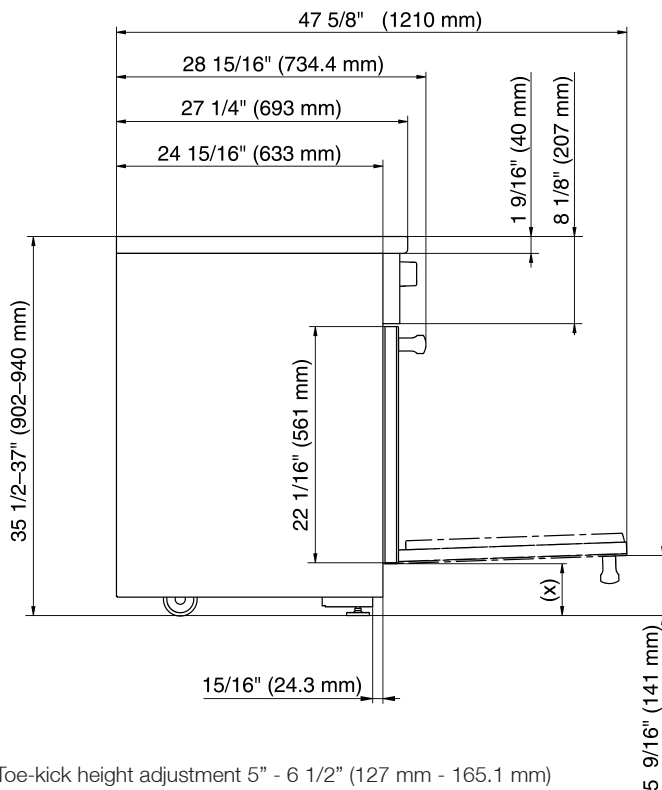
30" Electric and Induction Range

PRODUCT DIMENSIONS



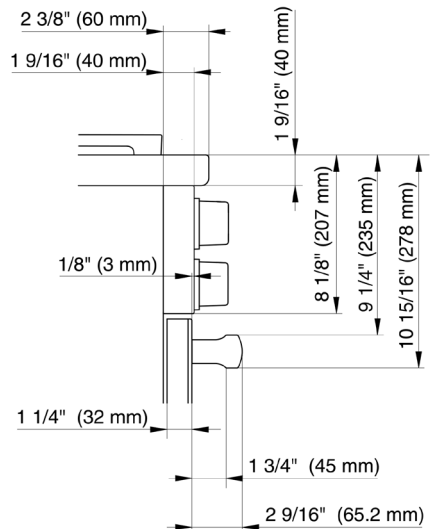
- (x) = Toe-kick height adjustment 5" - 6 1/2" (127 mm - 165.1 mm)
- E = Electrical connection
- G = Gas connection
- W = Water connection (only HR 1622-1 i)

SIDE VIEW



- (x) = Toe-kick height adjustment 5" - 6 1/2" (127 mm - 165.1 mm)

BULLNOSE DETAILS



30" Electric and Induction Range

Electric 30" Range Cooking Zones

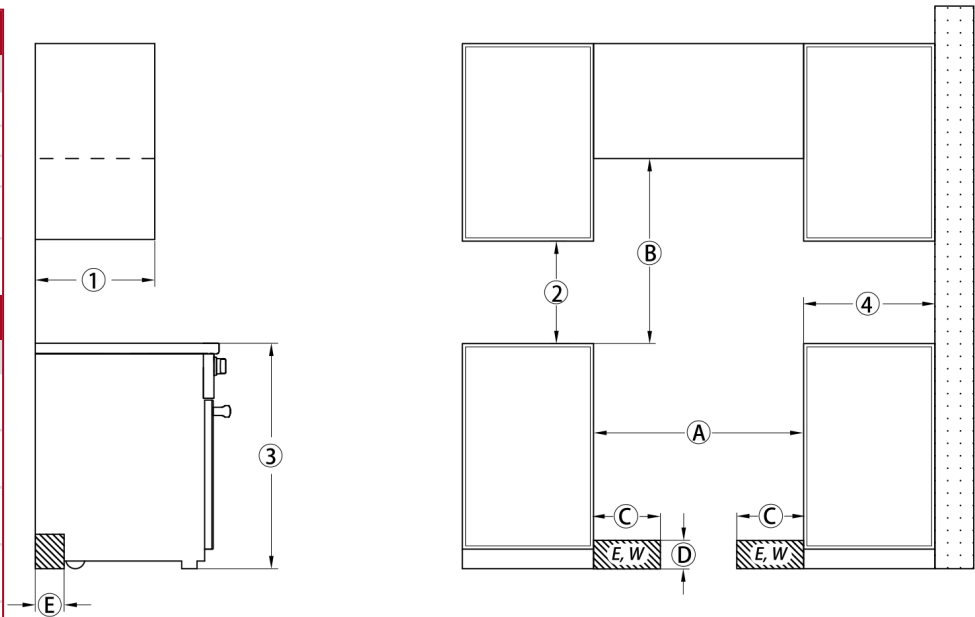
HR1421 E Cooking Zones

5 ¹ / ₁₆ " diameter	1,200W	(208V/240V)
4 ³ / ₄ -7" diameter	1,100-2,400W	(208V/240V)
5 ¹ / ₁₆ -8 ¹ / ₄ " diameter	1,700-1,800W	(208V/240V)
8 ¹ / ₄ -10 ⁵ / ₈ " diameter	2,000-2,800W	(208V)
	2,300-3,100	(240V)
Total Power Output	8,200W	(208V)
	8,500W	(240V)

Induction 30" Range Cooking Zones

HR1622-2 i Cooking Zones

4-6 ¹ / ₄ " diameter	1,250-2,000W	(208V)
	1,450-2,300W	(240V)
5 ¹ / ₂ -7 ³ / ₄ " diameter	1,700-2,700W	(208V)
	1,950-3,100W	(240V)
6 ¹ / ₄ -9" diameter	2,100-3,500W	(208V)
	2,400-3,850W	(240V)
7-11" diameter	2,300-3,350W	(208V)
	2,700-3,850W	(240V)
Total Power Output	6,700W	(208V)
	7,700W	(240V)



Ⓒ, Ⓓ, Ⓔ The shaded area represents the installation area for the connections:
 E = Electrical connection,
 W = Water connection (only HR 1622-2 i)

Position	Dimensions	Description	
①	13" (330 mm)	Maximum depth of top cabinet	
②	18" (547 mm)	Minimum distance to bottom edge of top cabinet	
③	35 1/2"-37" (901-940 mm)	Distance from the floor to cooktop surface	
Ⓐ	min. 30" (762 mm)	Niche width	
Ⓑ	30" (762 mm)	Minimum distance between the top of the cooking area and the bottom of an unprotected combustible surface.	
	or 24" (609 mm)	Minimum distance to a protected combustible surface or when a Miele Ventilation Hood is installed.	
	For all other hoods please consult the manufacturer's specifications for required distances.		
Ⓒ	approx. 10 13/16" (274 mm)	Maximum connection width right and left	Position of the wall socket
Ⓓ	approx. 4 1/2" (115 mm)	Maximum connection height	
Ⓔ	approx. 2 13/16" (72 mm)	Maximum connection depth	