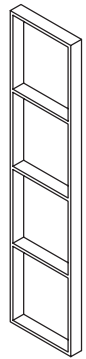
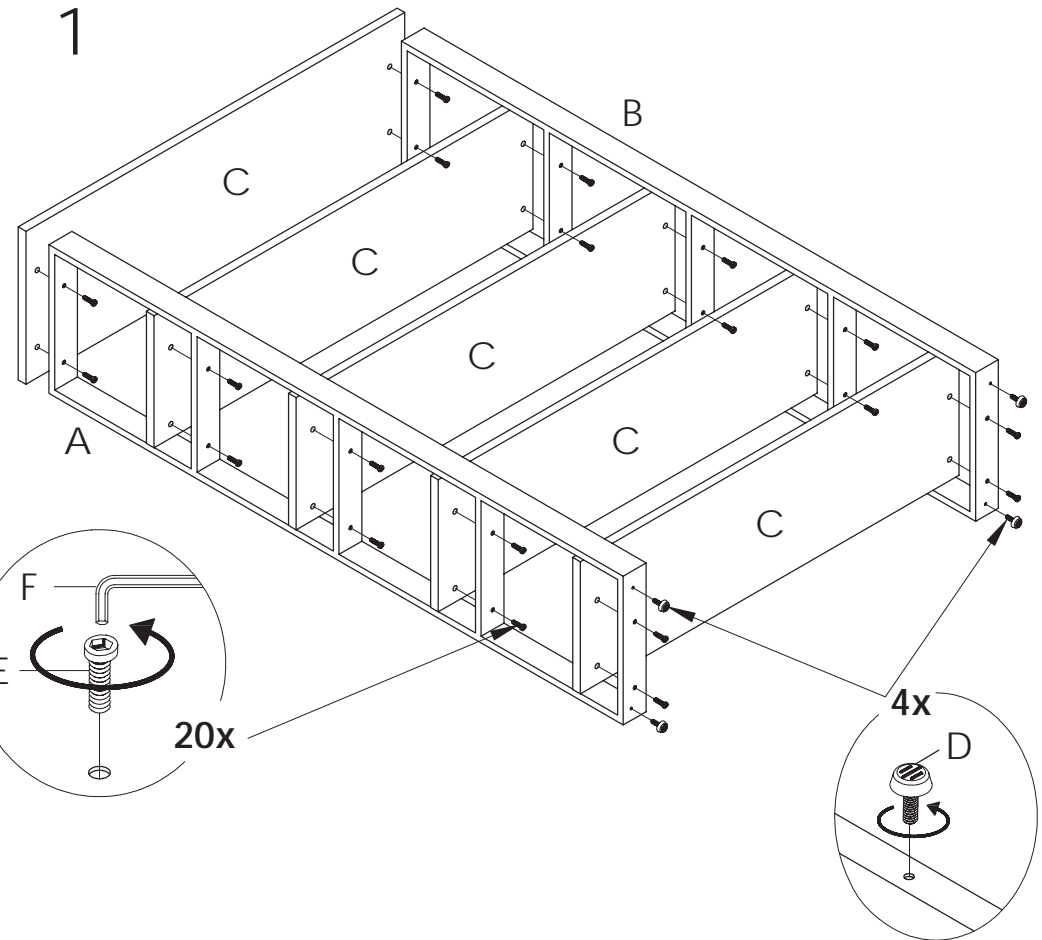
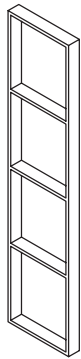


## Assembly Instructions DILLON 40" Shelving Unit

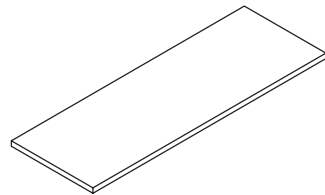
PLEASE NOTE: Check that you have received all components and hardware before assembling. If you are missing any parts, contact your retailer.



A (1 pc)



B (1 pc)



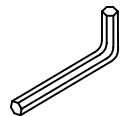
C (5 pcs)



D (4 pcs)  
M6 x 15mm



E (20 pcs)  
M6 x 35mm



F (1 pc)  
M4mm

During assembly, hand tighten screws only. When the screws are in place, tighten completely.