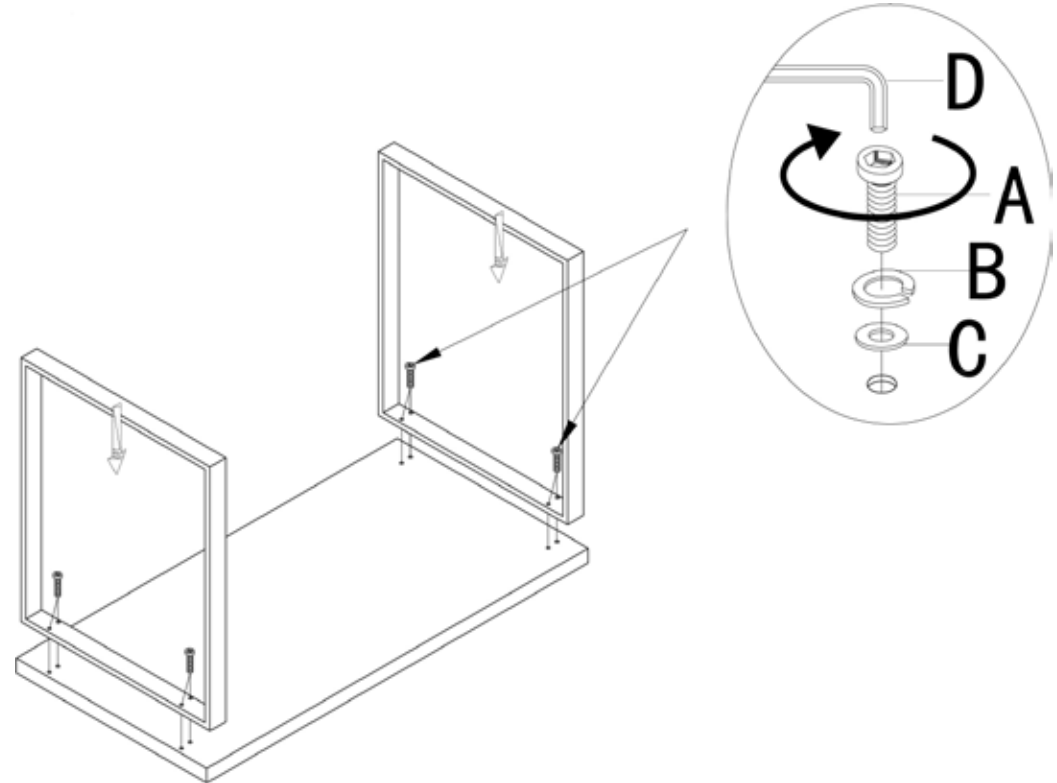


euø style

Assembly Instructions DILLON Desk

PLEASE NOTE: Check that you have received all components and hardware before assembling. If you are missing any parts, contact your retailer.



A (8 pcs)  M8 x 30mm

B (8 pcs)  M8mm

C (8 pc)  M22 x 2mm

D (1 pc)  M5mm

11.8.21 so

During assembly, hand tighten screws only. When all screws are in place, then tighten completely.