

30" (76.2 CM) AND 36" (91.4 CM) ELECTRIC INDUCTION COOKTOP INSTALLATION INSTRUCTIONS

INSTRUCTIONS D'INSTALLATION DE LA TABLE DE CUISSON ÉLECTRIQUE À INDUCTION DE 30" (76,2 CM) ET DE 36" (91,4 CM)

Table of Contents/Table des matières

COOKTOP SAFETY	1	SÉCURITÉ DE LA TABLE DE CUISSON	9
INSTALLATION REQUIREMENTS	2	EXIGENCES D'INSTALLATION	10
Tools and Parts	2	Outillage et pièces.....	10
Location Requirements	2	Exigences d'emplacement.....	10
Electrical Requirements	4	Spécifications électriques	12
INSTALLATION INSTRUCTIONS	4	INSTRUCTIONS D'INSTALLATION	13
Prepare Location	4	Préparation de l'emplacement.....	13
Install Brackets	4	Installation des supports.....	13
Install Cooktop	5	Installation de la table de cuisson.....	14
Make Electrical Connection	6	Raccordement électrique.....	15
Complete Installation.....	7	Achever l'installation	16

COOKTOP SAFETY

Your safety and the safety of others are very important.

We have provided many important safety messages in this manual and on your appliance. Always read and obey all safety messages.



This is the safety alert symbol.

This symbol alerts you to potential hazards that can kill or hurt you and others.

All safety messages will follow the safety alert symbol and either the word "DANGER" or "WARNING."

These words mean:

⚠ DANGER

You can be killed or seriously injured if you don't immediately follow instructions.

⚠ WARNING

You can be killed or seriously injured if you don't follow instructions.

All safety messages will tell you what the potential hazard is, tell you how to reduce the chance of injury, and tell you what can happen if the instructions are not followed.

**IMPORTANT: READ AND SAVE THESE INSTRUCTIONS.
FOR RESIDENTIAL USE ONLY.**

**IMPORTANT : LIRE ET CONSERVER CES INSTRUCTIONS.
POUR UTILISATION RÉSIDENIELLE UNIQUEMENT.**

INSTALLATION REQUIREMENTS

Tools and Parts

Gather the required tools and parts before starting installation. Read and follow the instructions provided with any tools listed here.

Tools needed

- Tape measure
- Flat-blade screwdriver
- Phillips head screwdriver
- Hand or electric drill
- Level
- Marker or pencil
- Pliers
- ¼" drill bit
- Jigsaw

Parts supplied

- Brackets (2)
- 2½" (6.4 cm) clamping screws (4)
- #8 x ¾" (9.5 mm) sheet metal screws (4)

Parts needed

- A UL listed or CSA approved strain relief
- UL listed wire connectors
- A UL approved junction box or 240V outlet
- Cooktop Bracket Adhesive Kit Part Number W10310006 if installing the cooktop into a marble countertop. See the "Assistance or Service" section of the Use and Care Guide for information on ordering.

Check local codes. Check existing electrical supply. See "Electrical Requirements."

It is recommended that all electrical connections be made by a licensed, qualified electrical installer.

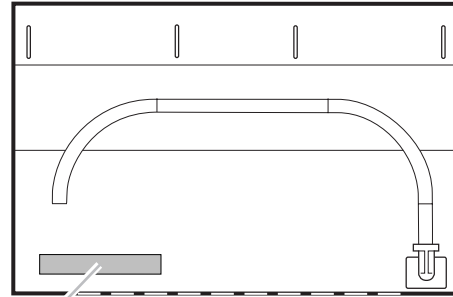
Location Requirements

Make sure you have everything needed for correct installation. It is the responsibility of the installer to comply with the installation clearances specified in these instructions.

IMPORTANT: Observe all governing codes and ordinances. When installing cooktop, use minimum dimensions given.

- To eliminate the risk of burns or fire by reaching over the heated surface units, cabinet storage space located above the surface units should be avoided. If cabinet storage is to be provided, the risk can be reduced by installing a range hood that projects horizontally a minimum of 5" (12.7 cm) beyond the bottom of the cabinets.
- It is the installer's responsibility to comply with installation clearances specified on the model/serial rating plate. The model/serial rating plate is located on the underside of the cooktop burner box.

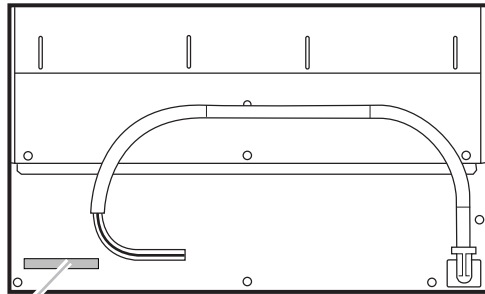
30" (76.2 cm) cooktop model/serial rating plate location (models JIC4430 and KICU509)



A

A. Model/serial rating plate location

36" (91.4 cm) cooktop model/serial rating plate location (models JIC4536 and KICU569)



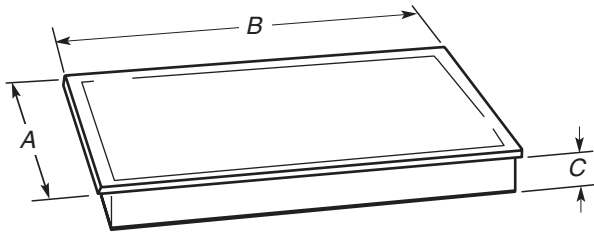
A

A. Model/serial rating plate location

- Check the cooktop base for an approved installation label. Verify approved oven model numbers that can be installed with your cooktop model number. If you do not find this label, your cooktop may not be approved for use over an undercounter built-in oven. Contact your dealer to confirm that your cooktop is approved.
- Ovens approved for this type of installation will have an approval label located on the top of the oven. If you do not find this label, contact your dealer to confirm that your oven is approved. Refer to oven manufacturer's Installation Instructions for approval for built-in undercounter use and proper cutout dimensions.
- When installing cooktop over an undercounter built-in oven, do not fasten cooktop to countertop with clamps or seal cooktop to countertop. This will make the cooktop easier to remove if future servicing becomes necessary.
- Use the countertop opening dimensions that are given with these Installation Instructions. Given dimensions are minimum clearances and provide 0" (0 cm) clearance.
- Grounded electrical supply is required. See "Electrical Requirements" section.

Product Dimensions

30" (76.2 cm) Cooktop



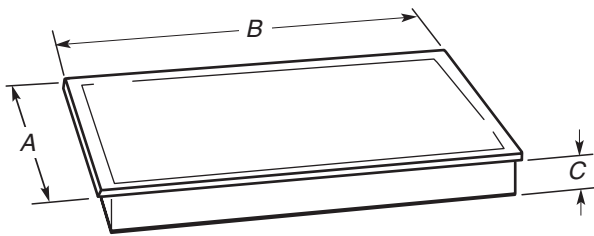
Model JIC4430

Model KICU509

A. 21 $\frac{5}{16}$ " (54.1 cm)
B. 30 $\frac{5}{16}$ " (77.0 cm)
C. 3 $\frac{1}{8}$ " (8 cm)

A. 21 $\frac{5}{16}$ " (54.1 cm)
B. 30 $\frac{3}{4}$ " (78.2 cm)
C. 3 $\frac{1}{8}$ " (8 cm)

36" (91.4 cm) Cooktop

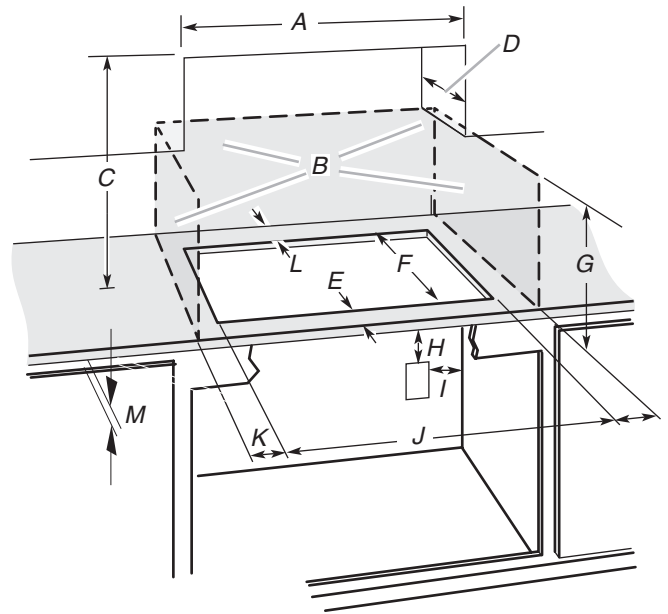


Models JIC4536 and KICU569

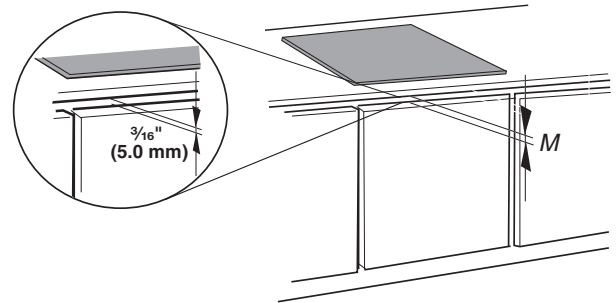
A. 21 $\frac{5}{16}$ " (54.1 cm)
B. 36 $\frac{5}{16}$ " (92.0 cm)
C. 3 $\frac{1}{8}$ " (8 cm)

Cabinet Dimensions

IMPORTANT: If installing a range hood or microwave hood combination above the range, follow the range hood or microwave hood combination installation instructions for dimensional clearances above the cooktop surface.



- A. 29 $\frac{1}{2}$ " (75.0 cm) on 30" (76.2 cm) models
33 $\frac{1}{16}$ " (84.0 cm) on 36" (91.4 cm) models
- B. Combustible area above countertop (shown by dashed box above)
- C. 30" (76.2 cm) minimum clearance between top of cooktop platform and bottom of uncovered wood or metal cabinet (24" [61 cm] minimum clearance if bottom of wood or metal cabinet is covered by not less than $\frac{1}{4}$ " [0.6 cm] flame retardant millboard covered with not less than No. 28 MSG sheet steel, 0.015" [0.04 cm] stainless steel, or 0.024" [0.06 cm] aluminum or 0.020" [0.05 cm] copper)
- D. 13" (33.0 cm) recommended upper cabinet depth
- E. 2" (5.1 cm)
- F. 19 $\frac{5}{16}$ " (49.0 cm)
- G. 18" (45.7 cm) minimum clearance from upper cabinet to countertop within minimum horizontal clearances to cooktop
- H. Junction box or outlet; 12" (30.5 cm) minimum from bottom of countertop
- I. Junction box or outlet; 10" (25.4 cm) from right-hand side of cabinet
- J. 29 $\frac{1}{2}$ " (75.0 cm) on 30" (76.2 cm) models
33 $\frac{1}{16}$ " (84.0 cm) on 36" (91.4 cm) models
- K. 1" (2.5 cm) minimum distance to nearest left and right side combustible surface above cooktop
- L. 1" (2.5 cm) minimum clearance between back wall and countertop
- M. **IMPORTANT:** For proper ventilation, provide a vent of $\frac{3}{16}$ " (5 mm) under the countertop, in the front of the cabinet. The ventilation opening is to extend the full length of the cooktop cutout. See the following illustration.



NOTES: After you make the countertop cutout, some installations may require notching down the base cabinet side walls to clear the cooktop base. To avoid this modification, use a base cabinet with sidewalls wider than the cutout.

If cabinet has a drawer, a 5 $\frac{1}{8}$ " (13 cm) depth clearance from the countertop to the top of the drawer (or other obstruction) in base cabinet is required.

Electrical Requirements

⚠ WARNING



Electrical Shock Hazard

Disconnect power before servicing.

Use 8 gauge copper wire.

Electrically ground cooktop.

Failure to follow these instructions can result in death, fire, or electrical shock.

If codes permit and a separate ground wire is used, it is recommended that a qualified electrical installer determine that the ground path and wire gauge are in accordance with local codes.

Check with a qualified electrical installer if you are not sure the cooktop is properly grounded.

It is not recommended to have a fuse in the neutral or ground circuit.

Make sure that the electrical connection and wire size are adequate and in conformance with the National Electrical Code, ANSI/NFPA 70-latest edition or CSA Standards C22.1-94, Canadian Electrical Code, Part 1 and C22.2 No. O-M91-latest edition, and all local codes and ordinances.

A copy of the above code standards can be obtained from:

National Fire Protection Association
One Batterymarch Park
Quincy, MA 02269

CSA International
8501 East Pleasant Valley Road
Cleveland, OH 44131-5575

Before You Make the Electrical Connection:

To properly install your cooktop, you must determine the type of electrical connection you will be using and follow the instructions provided for it here.

- A 4-wire or 3-wire, single phase, 240 volt, 60 Hz., AC only electrical supply is required on a separate, 50-amp circuit (36" [91.4 cm] models) or 40-amp circuit (30" [76.2 cm] models), fused on both sides of the line.
- The cooktop should be connected directly to the junction box through flexible, armored or nonmetallic sheathed, copper cable. The flexible, armored cable extending from the fuse box or circuit breaker box should be connected directly to the junction box.
- Locate the junction box to allow as much slack as possible between the junction box and the cooktop so that the cooktop can be moved if servicing becomes necessary in the future.
- Do not cut the conduit. The length of conduit provided is for serviceability of the cooktop.
- A UL listed or CSA approved conduit connector must be provided at each end of the power supply cable (at the cooktop and at the junction box). A listed conduit connector is already provided at the cooktop.

- If the house has aluminum wiring, follow the procedure below:

1. Connect a section of solid copper wire to the pigtail leads.
2. Connect the aluminum wiring to the added section of copper wire using special connectors and/or tools designed and UL listed for joining copper to aluminum.

Follow the electrical connector manufacturer's recommended procedure. Aluminum/copper connection must conform with local codes and industry accepted wiring practices.

INSTALLATION INSTRUCTIONS

Prepare Location

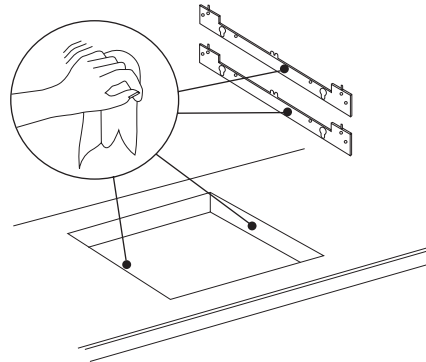
1. Decide on the final location for the cooktop.
NOTE: Countertop must be $1\frac{3}{16}$ " (3.0 cm) to 2" (5.1 cm) thick.
2. If necessary, make cutout in countertop before installing cooktop. See "Location Requirements" section for more information.
3. Clean cutout of any remaining dust and debris.

Install Brackets

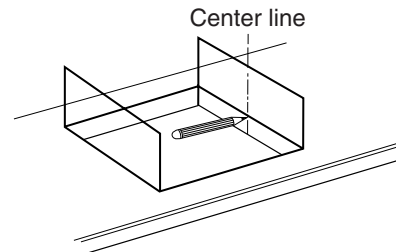
NOTE: Cooktop Bracket Adhesive Kit Part Number W10310006 is required for installing the cooktop into a marble countertop. See the "Assistance or Service" section of the Use and Care Guide for information on ordering.

To Install Brackets into Marble Countertop:

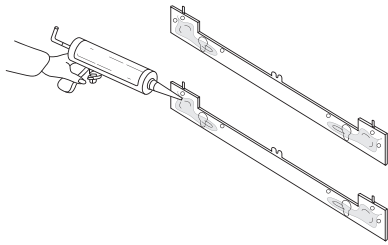
1. Clean the brackets and cooktop cutout of any dust and debris.



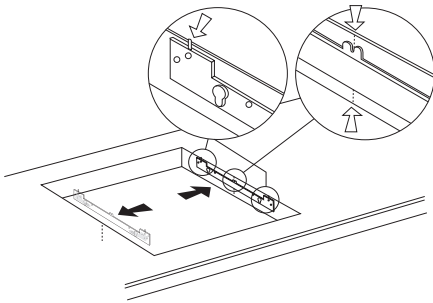
2. Measure the center line of the vertical sides of the cooktop cutout.



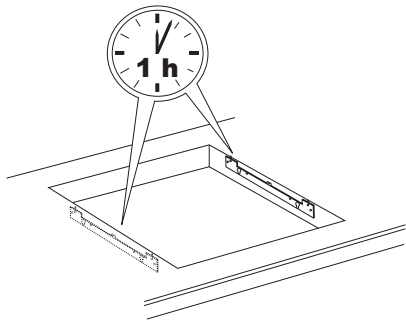
3. Apply the adhesive provided in the kit to the back side of the brackets.



4. Position brackets in the center of the vertical centerline and align the upper edge of the brackets so that they are flush with the countertop.

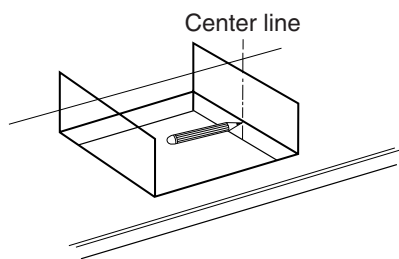


5. Push the brackets firmly onto each side of the cooktop cutout and wait 1 hour for adhesive to dry.



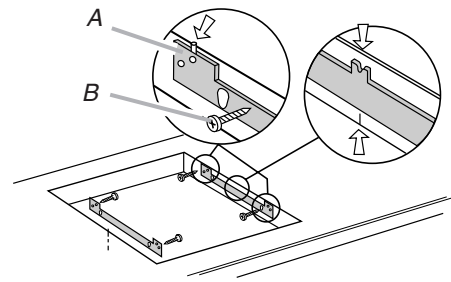
To Install Brackets into Wood Countertop:

1. Measure the center line of the vertical sides of the cooktop cutout.



2. Position brackets in the center of the vertical centerline and align the upper edge of the brackets so that they are flush with the countertop.

3. Attach the brackets in the cutout with the screws provided.



A. Bracket
B. Screw

Install Cooktop

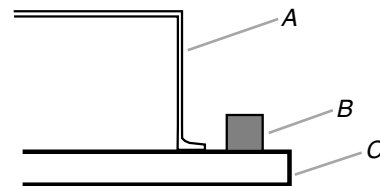
WARNING

Excessive Weight Hazard

Use two or more people to move and install cooktop.
Failure to do so can result in back or other injury.

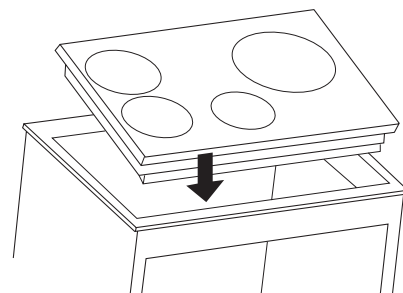
1. Using 2 or more people, place the cooktop upside down on a covered surface using the foam end posts from the packaging.
2. Remove the foam roll from the package containing literature. Apply foam adhesive-side down around the bottom of the cooktop glass.

NOTE: The foam helps avoid damage to the underside of the cooktop glass from debris and helps the cooktop sit flat on uneven counters.

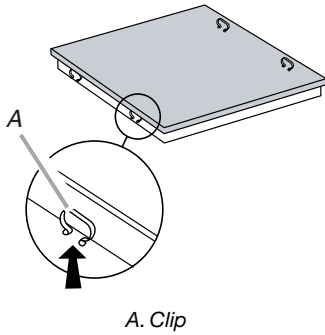


A. Cooktop base
B. Foam
C. Assembly glass

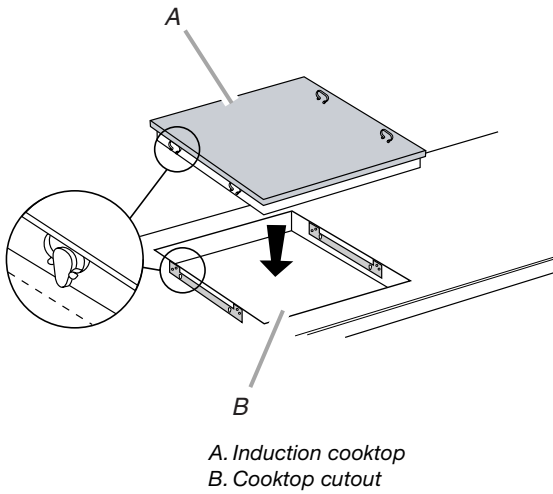
3. Lower the cooktop into the cutout with the front end of the cooktop angled down.



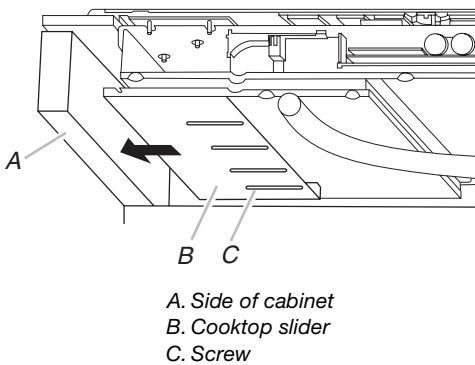
- Make sure that the clips on each side of the cooktop line up with the brackets in the cutout.



- Push down on cooktop to snap the cooktop clips onto the brackets installed in the cutout.



- On the underside of the cooktop, loosen the 4 screws on the slider.



- Push the cooktop slider toward the side of the cabinet until the slider and cabinet touch.
- Tighten the screws on the slider.

Make Electrical Connection

⚠ WARNING



Electrical Shock Hazard

Disconnect power before servicing.

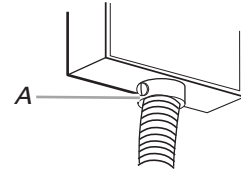
Use 8 gauge copper wire.

Electrically ground cooktop.

Failure to follow these instructions can result in death, fire, or electrical shock.

This cooktop is manufactured with a frame-connected, green (or bare) ground wire.

- Disconnect power.
- Remove junction box cover if it is present.
- Connect the flexible cable conduit from the cooktop to the junction box using a UL listed or CSA approved conduit connector.

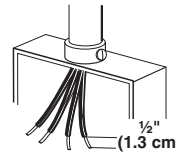


A. UL listed or CSA approved conduit connector

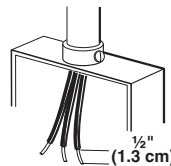
- Tighten screws on conduit connector if present.
- See "Electrical Connection Options Chart" to complete installation for your type of electrical connection.

Electrical Connection Options Chart

If your home has:	Go to Section:
4-wire	4-Wire Cable from Home Power Supply

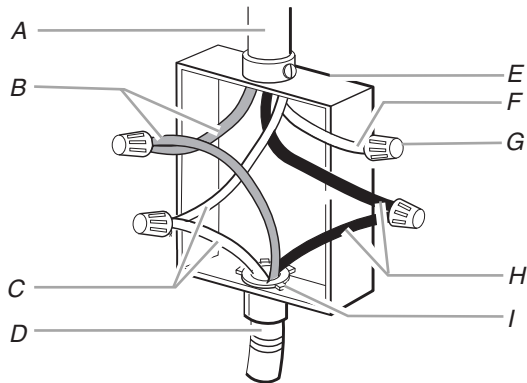


3-wire	3-Wire Cable from Home Power Supply
--------	-------------------------------------



4-Wire Cable from Home Power Supply

IMPORTANT: Use the 4-wire cable from home power supply in the U.S.A. where local codes do not allow grounding through neutral, New Branch circuit installations (1996 NEC), mobile homes and recreational vehicles, new construction, and in Canada.

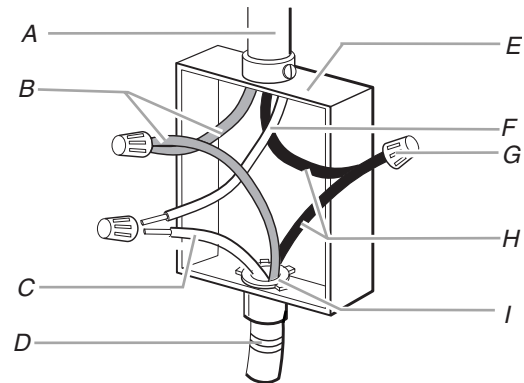


- | | |
|---------------------------------|--|
| A. Cable from home power supply | F. White wire (from home power supply) |
| B. Red wires | G. UL listed wire connector |
| C. Green (or bare) ground wires | H. Black wires |
| D. 3-Wire cable from cooktop | I. UL listed or CSA approved conduit connector with wire bushing |
| E. Junction box | |

1. Connect the 2 red wires (B) together using a UL listed wire connector.
 2. Connect the green (or bare) ground wire (C) from the cooktop cable to the green (or bare) ground wire (in the junction box) using a UL listed wire connector.
 3. Put a UL listed wire connector on the end of the white wire (F).
- NOTE:** Do not connect the green (or bare) ground wire to the neutral (white) wire in the junction box.
4. Connect the 2 black wires (H) together using a UL listed wire connector.
 5. Install junction box cover.

3-Wire Cable from Home Power Supply - U.S.A. Only

IMPORTANT: Use the 3-wire cable from home power supply where local codes permit a 3-wire connection.



- | | |
|---|--|
| A. Cable from home power supply | F. White wire (from home power supply) |
| B. Red wires | G. UL listed wire connector |
| C. Green (or bare) ground wire from cooktop | H. Black wires |
| D. 3-wire cable (from cooktop) | I. UL listed or CSA approved conduit connector with wire bushing |
| E. Junction box | |

1. Connect the 2 red wires (B) together using a UL listed wire connector.
2. Connect the green (or bare) cooktop cable wire (C) to the white (neutral) wire (F) in the junction box using a UL listed wire connector.
3. Connect the 2 black wires (H) together using a UL listed wire connector.
4. Install junction box cover.

Complete Installation

1. Check that all parts are now installed. If there is an extra part, go back through the steps to see which step was skipped.
2. Check that you have all your tools.
3. Dispose of/recycle all packaging materials.
4. Use a mild solution of liquid household cleaner and warm water to clean cooktop before use. Dry thoroughly with a soft cloth. For more information, see the "Cooktop Care" section of the Use and Care Guide.
5. Read "Cooktop Use" in the cooktop Use and Care Guide.
6. Reconnect power.

NOTE: If the cooktop does not work after turning on the power, check that a circuit breaker has not tripped or a household fuse has not blown. See "Troubleshooting" section in the Use and Care Guide for further information.

If you need Assistance or Service:

Please reference the "Assistance or Service" section of the Use and Care Guide or contact the dealer from whom you purchased your cooktop.

Notes

SÉCURITÉ DE LA TABLE DE CUISSON

Votre sécurité et celle des autres est très importante.

Nous donnons de nombreux messages de sécurité importants dans ce manuel et sur votre appareil ménager. Assurez-vous de toujours lire tous les messages de sécurité et de vous y conformer.



Voici le symbole d'alerte de sécurité.

Ce symbole d'alerte de sécurité vous signale les dangers potentiels de décès et de blessures graves à vous et à d'autres.

Tous les messages de sécurité suivront le symbole d'alerte de sécurité et le mot "DANGER" ou "AVERTISSEMENT". Ces mots signifient :

⚠ DANGER

Risque possible de décès ou de blessure grave si vous ne suivez pas immédiatement les instructions.

⚠ AVERTISSEMENT

Risque possible de décès ou de blessure grave si vous ne suivez pas les instructions.

Tous les messages de sécurité vous diront quel est le danger potentiel et vous disent comment réduire le risque de blessure et ce qui peut se produire en cas de non-respect des instructions.

EXIGENCES D'INSTALLATION

Outillage et pièces

Rassembler les outils et pièces nécessaires avant de commencer l'installation. Lire et suivre les instructions fournies avec les outils indiqués ici.

Outils nécessaires

- Mètre ruban
- Tournevis à lame plate
- Tournevis Phillips
- Perceuse manuelle ou électrique
- Niveau
- Marqueur ou crayon
- Pince
- Foret de 1/4"
- Scie sauteuse

Pièces fournies

- Brides (2)
- Vis de fixation de 2 1/2" (6,4 cm) (4)
- Vis de tôlerie n° 8 x 3/8" (9,5 mm) (4)

Pièces nécessaires

- Serre-câble (homologation UL ou CSA)
- Connecteurs de fils (homologation UL)
- Boîtier de connexion ou prise de 240 V homologué(e) UL
- Ensemble adhésif du support de table de cuisson, pièce numéro W10310006 pour installation de la table de cuisson dans un plan de travail en marbre. Voir la section "Assistance ou service" dans le Guide d'utilisation et d'entretien pour des renseignements sur le processus de commande.

Consulter les codes locaux. Vérifier l'alimentation électrique existante. Voir "Spécifications électriques".

On recommande que toutes les connexions électriques soient effectuées par un électricien qualifié et certifié.

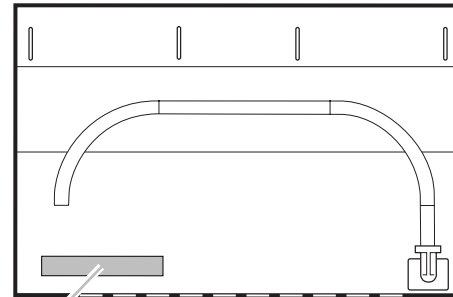
Exigences d'emplacement

S'assurer d'avoir tout le nécessaire pour une installation convenable. C'est à l'installateur qu'incombe la responsabilité de se conformer aux dégagements de séparation spécifiés dans ces instructions.

IMPORTANT : Observer les dispositions de tous les codes et règlements en vigueur. Lors de l'installation de la table de cuisson, utiliser les dimensions minimales indiquées.

- Afin de supprimer le risque de brûlures ou d'incendie en se penchant au-dessus des unités de surface chauffées, le rangement en armoire au-dessus des unités de surface doit être évité. Si des placards de rangement sont envisagés, le risque peut être réduit par l'installation d'une hotte de cuisine dépassant le bas des placards d'au moins 5" (12,7 cm) horizontalement.
- C'est à l'installateur qu'incombe la responsabilité de respecter les distances de séparation exigées, spécifiées sur la plaque signalétique de l'appareil. La plaque signalétique des numéros de modèle et de série est située sur la face inférieure de la boîte de brûleur de la table de cuisson.

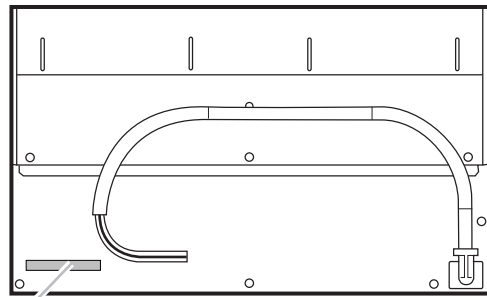
Emplacement de la plaque signalétique de la table de cuisson de 30" (76,2 cm) (modèles JIC4430 et KICU509)



A

A. Emplacement de la plaque signalétique

Emplacement de la plaque signalétique de la table de cuisson de 36" (91,4 cm) (modèles JIC4536 et KICU569)



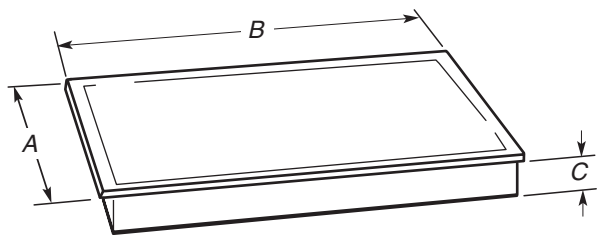
A

A. Emplacement de la plaque signalétique

- Vérifier que la base de la table de cuisson comporte une étiquette d'installation approuvée. Vérifier le numéro de modèle de four approuvé pouvant être installé avec votre numéro de modèle de table de cuisson. Si vous ne trouvez pas cette étiquette, il se peut que votre table de cuisson ne soit pas approuvée pour une utilisation au-dessus d'un four encastré. Contacter votre revendeur pour confirmer que votre table de cuisson est approuvée.
- Les fours approuvés pour ce type d'installation comportent une étiquette d'approbation située sur le dessus du four. Si vous ne trouvez pas cette étiquette, contactez votre marchand pour confirmer que le four est bien approuvé. Consulter les Instructions d'installation du fabricant du four pour déterminer si l'utilisation en encastrement sous un comptoir est approuvée et pour obtenir les dimensions correctes de l'ouverture.
- Lors de l'installation de la table de cuisson sur un four encastré, ne pas fixer la table de cuisson au comptoir avec des brides, ni sceller la table de cuisson au plan de travail. Ceci facilitera la dépose de la table de cuisson plus tard en cas de nécessité de réparation.
- Utiliser les dimensions d'ouverture du plan de travail qui sont indiquées dans ces Instructions d'installation. Les dimensions données sont les espacements minimaux et fournissent un dégagement de 0" (0 cm).
- Une source d'électricité avec liaison à la terre est nécessaire. Voir la section "Spécifications électriques".

Dimensions du produit

Tables de cuisson de 30" (76,2 cm)



Modèle JIC4430

Modèle KICU509

A. 21 5/16" (54,1 cm)

A. 21 5/16" (54,1 cm)

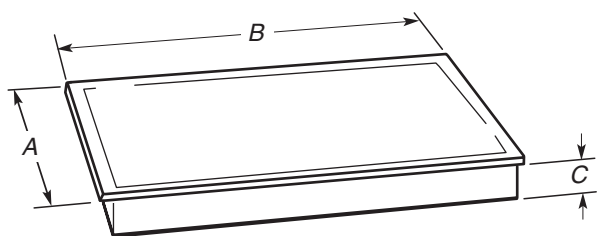
B. 30 5/16" (77 cm)

B. 30 3/4" (78,2 cm)

C. 3 1/8" (8 cm)

C. 3 1/8" (8 cm)

Table de cuisson de 36" (91,4 cm)



Modèles JIC4536 et KICU569

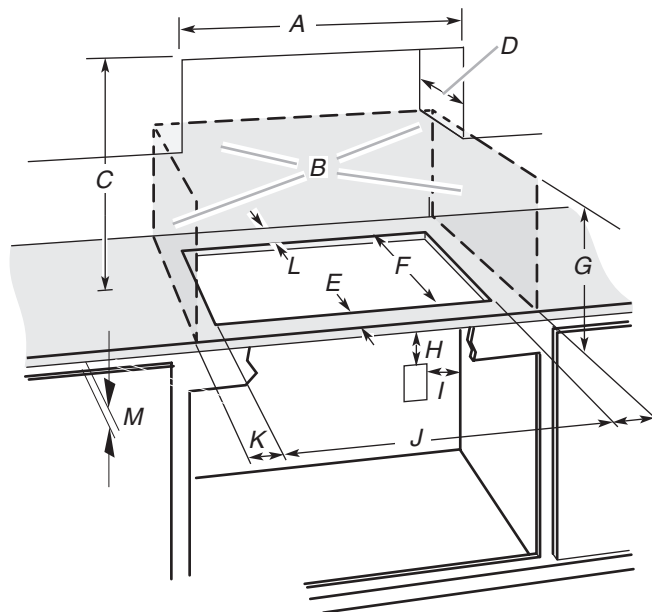
A. 21 5/16" (54,1 cm)

B. 36 5/16" (92,0 cm)

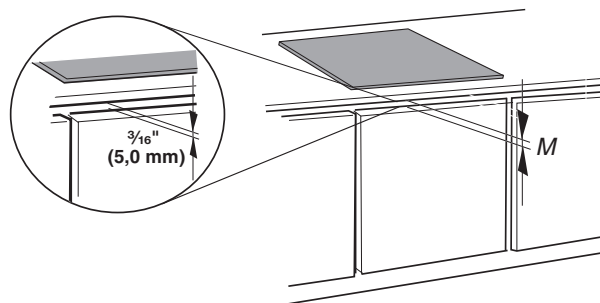
C. 3 1/8" (8 cm)

Dimensions du placard

IMPORTANT : En cas d'installation d'une hotte ou d'un ensemble hotte/micro-ondes au-dessus de la cuisinière, suivre les instructions d'installation fournies avec la hotte ou l'ensemble hotte/micro-ondes concernant les dimensions de dégagement à respecter au-dessus de la surface de la table de cuisson.



- A. 29 1/2" (75 cm) sur les modèles de 30" (76,2 cm)
33 1/16" (84 cm) sur les modèles de 36" (91,4 cm)
- B. Zone de matière combustible au-dessus du plan de travail (espace délimité par des lignes pointillées ci-dessus)
- C. Distance minimale de séparation de 30" (76,2 cm) entre le dessus de la table de cuisson et le fond d'un placard métallique ou de bois non couvert (distance de séparation de 24" [61 cm] ou plus si le fond du placard de métal ou de bois est recouvert d'une plaque d'au moins 1/4" (0,6 cm) de matériau résistant aux flammes, lui-même recouvert d'une feuille métallique d'une épaisseur correspondant à un calibre de 28 au moins pour l'acier, 0,015" [0,04 cm] pour l'acier inoxydable, 0,024" [0,06 cm] pour l'aluminium ou 0,020" [0,05 cm] pour le cuivre)
- D. Profondeur recommandée pour les placards supérieurs : 13" (33 cm)
- E. 2" (5,1 cm)
- F. 19 5/16" (49 cm)
- G. Distance de séparation minimale de 18" (45,7 cm) entre le placard supérieur et le plan de travail avec distance minimale de séparation horizontale pour la table de cuisson
- H. Boîtier de connexion ou prise électrique; 12" (30,5 cm) ou plus depuis le bas du plan de travail
- I. Boîtier de connexion ou prise électrique; 10" (25,4 cm) depuis le côté droit du placard
- J. 29 1/2" (75 cm) sur les modèles de 30" (76,2 cm)
33 1/16" (84 cm) sur les modèles de 36" (91,4 cm)
- K. Distance de séparation minimale de 1" (2,5 cm) par rapport à la surface de matériau combustible la plus proche, à gauche ou à droite au-dessus de la table de cuisson
- L. Distance de séparation minimale de 1" (2,5 cm) ou plus entre la paroi arrière et le plan de travail
- M. **IMPORTANT :** Laisser une ouverture d'aération de 3/16" (5 mm) sous le plan de travail, à l'avant du placard pour une ventilation adéquate. L'ouverture d'aération doit être équivalente à la longueur de l'ouverture d'installation de la table de cuisson. Voir l'illustration ci-dessous.



REMARQUES : Après le découpage de l'ouverture dans le plan de travail, il est possible que pour certaines configurations d'installation, il soit nécessaire d'entailler les parois latérales du placard inférieur pour permettre le passage de la base de la table de cuisson. Pour éviter cette modification, utiliser un placard inférieur dont la largeur des parois latérales est supérieure à celle de l'ouverture découpée.

Si le placard comporte un tiroir, on devra ménager une distance de séparation de 5 $\frac{1}{8}$ " (13 cm) entre le plan de travail et le sommet du tiroir (ou autre obstruction) dans le placard inférieur.

Spécifications électriques

AVERTISSEMENT



Risque de choc électrique

Déconnecter la source de courant électrique avant l'entretien.

Utiliser du fil en cuivre de calibre 8.

Relier la table de cuisson à la terre.

Le non-respect de ces instructions peut causer un décès, un incendie ou un choc électrique.

Si on utilise un conducteur distinct de liaison à la terre lorsque les codes le permettent, il est recommandé qu'un électricien qualifié vérifie que la liaison à la terre et le calibre pour fils sont conformes aux codes locaux.

Vérifier avec un électricien qualifié si vous avez des doutes quant à la qualité de la liaison à la terre de la table de cuisson.

Il n'est pas recommandé d'installer un fusible dans le conducteur neutre ou le conducteur de liaison à la terre.

S'assurer que la connexion électrique et le calibre des fils sont appropriés et conformes à la norme National Electrical Code, aux normes ANSI/NFPA 70 - dernière édition, ou aux normes CSA C22.1-94, au Code canadien de l'électricité, Partie 1 et C22.2 N° O-M91 - dernière édition, et à tous les codes et règlements locaux.

Pour obtenir un exemplaire de la norme des codes ci-dessus, contacter :

National Fire Protection Association
One Batterymarch Park
Quincy, MA 02269

CSA International
8501 East Pleasant Valley Road
Cleveland, OH 44131-5575

Avant d'établir la connexion électrique :

Pour installer la table de cuisson correctement, il faut établir le type de raccords électriques que l'on utilisera et suivre les instructions indiquées ici.

- L'appareil doit être alimenté par un circuit monophasé de 240 V CA seulement, 60 Hz à 4 fils ou 3 fils, sur un circuit séparé de 50 ampères [modèles de 36" (91,4 cm)] ou de 40 ampères [modèles de 30" (76,2 cm)], fusionné aux deux extrémités de la ligne.
- La table de cuisson doit être raccordée directement au boîtier de connexion par l'intermédiaire d'un câble flexible à conducteur de cuivre (avec blindage ou gaine non métallique). Le câble blindé flexible sortant du boîtier de distribution (fusible ou disjoncteur) doit être raccordé directement au boîtier de connexion.
- Repérer le boîtier de connexion pour laisser le plus d'espace possible entre celui-ci et la table de cuisson pour pouvoir déplacer la table de cuisson en cas de besoin de réparation à l'avenir.
- Ne pas couper le conduit. La longueur du conduit fournie est destinée à faciliter le fonctionnement de la table de cuisson.
- Un connecteur de conduit homologué UL ou CSA doit être fourni à chaque extrémité du câble d'alimentation électrique (à la table de cuisson et au boîtier de connexion). Un connecteur de conduit homologué est déjà fourni à la table de cuisson.
- Si le domicile est équipé d'un câblage en aluminium, suivre les instructions suivantes :
 1. Connecter une section de câble en cuivre massif aux conducteurs en queue de cochon.
 2. Connecter le câblage en aluminium à la section ajoutée de câblage en cuivre en utilisant des connecteurs et/ou des outils spécialement conçus et homologués UL pour fixer le cuivre à l'aluminium.

Appliquer la procédure recommandée par le fabricant des connecteurs. La connexion aluminium/cuivre doit être conforme aux codes locaux et aux pratiques de câblage acceptées par l'industrie.

INSTRUCTIONS D'INSTALLATION

Préparation de l'emplacement

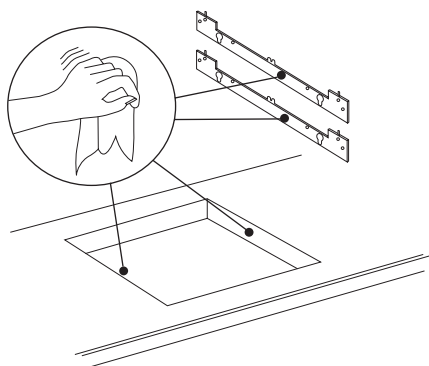
1. Déterminer l'emplacement final de la table de cuisson.
REMARQUE : L'épaisseur du plan de travail doit être comprise entre 1 $\frac{3}{16}$ " (3 cm) et 2" (5,1 cm).
2. Si nécessaire, découper l'ouverture dans le plan de travail avant d'installer la table de cuisson. Voir la section "Exigences d'installation" pour plus de renseignements.
3. Nettoyer l'ouverture pour la dégager de tout résidu ou poussière.

Installation des supports

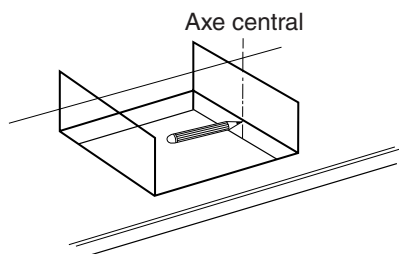
REMARQUE : L'ensemble adhésif du support de table de cuisson, pièce numéro W10310006 est nécessaire pour l'installation de la table de cuisson dans un plan de travail en marbre. Voir la section "Assistance ou service" dans le Guide d'utilisation et d'entretien pour des renseignements sur le processus de commande.

Installation des supports dans le plan de travail en marbre :

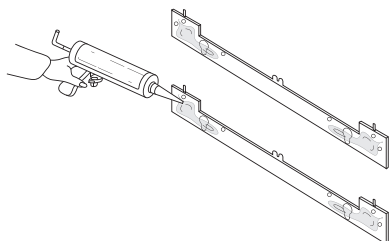
1. Nettoyer les supports et l'ouverture de la table de cuisson pour éliminer résidus et poussière.



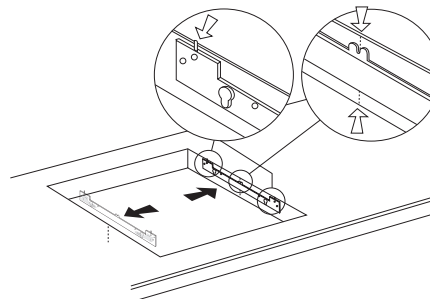
2. Mesurer l'axe central des parois verticales de l'ouverture de la table de cuisson.



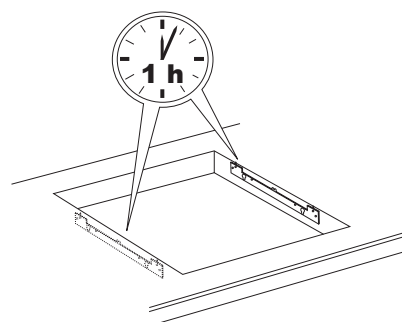
3. Appliquer l'adhésif fourni avec la trousse sur l'arrière des supports.



4. Positionner les supports au centre de l'axe central vertical et aligner la rive supérieure des supports de façon à ce qu'ils soient en affleurement avec le plan de travail.

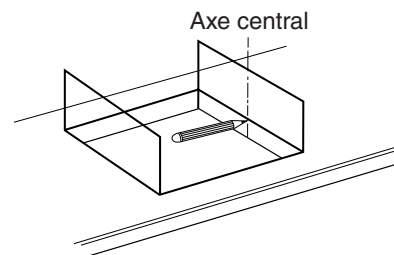


5. Enfoncer fermement les supports sur chaque côté de l'ouverture de la table de cuisson et attendre 1 heure pour que l'adhésif puisse sécher.

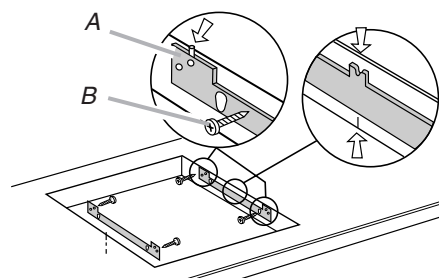


Installation des supports dans le plan de travail en bois :

1. Mesurer l'axe central des parois verticales de l'ouverture de la table de cuisson.



2. Positionner les supports au centre de l'axe central vertical et aligner la rive supérieure des supports de façon à ce qu'ils soient en affleurement avec le plan de travail.
3. Fixer les supports dans l'ouverture avec les vis fournies.



A. Support
B. Vis

Installation de la table de cuisson

⚠ AVERTISSEMENT

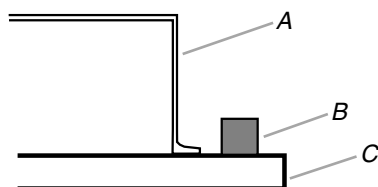
Risque du poids excessif

Utiliser deux ou plus de personnes pour déplacer et installer la table de cuisson.

Le non-respect de cette instruction peut causer une blessure au dos ou d'autre blessure.

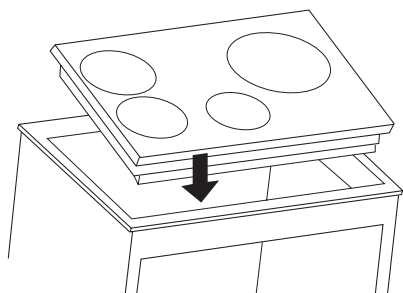
1. À l'aide de deux personnes ou plus, placer la table de cuisson à l'envers sur une surface couverte en utilisant les cornières en polystyrène de l'emballage.
2. Enlever le rouleau de mousse du sachet de documentation. Appliquer le côté adhésif de la bande de mousse autour du fond de la table de cuisson.

REMARQUE : La bande de mousse aide à éviter que la face inférieure du verre de la table de cuisson ne soit endommagée par des débris et aide la table de cuisson à reposer à plat sur des plans de travail irréguliers.

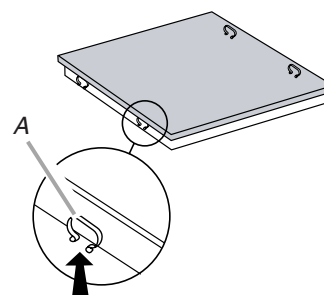


A. Base de la table de cuisson
B. Mousse
C. Ensemble en verre

3. Abaisser la table de cuisson jusque dans l'ouverture découpée en inclinant l'extrémité avant de la table de cuisson vers le bas.

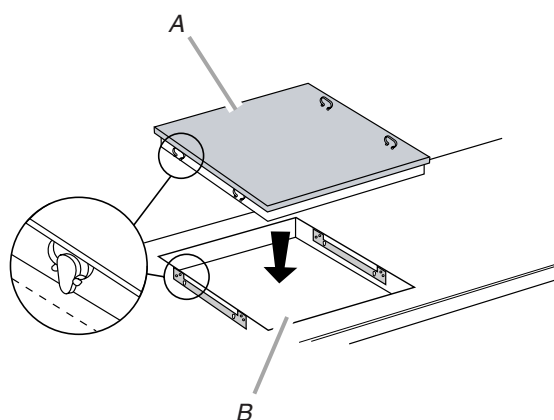


4. S'assurer que les attaches de chaque côté de la table de cuisson sont alignées avec les supports de l'ouverture découpée.



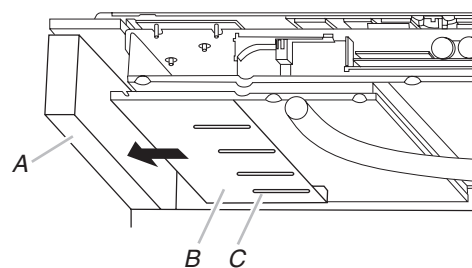
A. Attache

5. Appuyer sur la table de cuisson pour emboîter les attaches de la table de cuisson sur les supports installés dans l'ouverture.



A. Table de cuisson
B. Ouverture de la table de cuisson

6. Sur la face inférieure de la table de cuisson, desserrer les 4 vis de la glissière.



A. Côté du placard
B. Glissière de la table de cuisson
C. Vis

7. Enfoncer la glissière de la table de cuisson vers le côté du placard jusqu'à ce que la glissière et le placard se touchent.
8. Serrer les vis sur la glissière.

Raccordement électrique

⚠ AVERTISSEMENT



Risque de choc électrique

Déconnecter la source de courant électrique avant l'entretien.

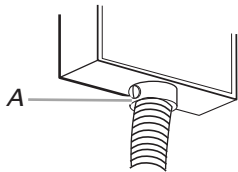
Utiliser du fil en cuivre de calibre 8.

Relier la table de cuisson à la terre.

Le non-respect de ces instructions peut causer un décès, un incendie ou un choc électrique.

Un conducteur vert (ou nu) de liaison à la terre est connecté au châssis de la table de cuisson lors de la fabrication.

1. Déconnecter la source de courant électrique.
2. Le cas échéant, enlever le couvercle du boîtier de connexion.
3. Avec le connecteur de conduit (homologation UL ou CSA), connecter le conduit de câble flexible de la table de cuisson au boîtier de connexion.



A. Connecteur de conduit (homologation UL ou CSA)

4. Serrer les vis du connecteur de conduit, le cas échéant.
5. Voir "Tableau des options de raccordement électrique" pour terminer l'installation correspondant à votre type de raccordement électrique.

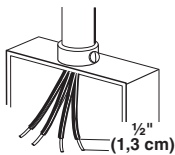
Tableau des options de raccordement électrique

Câblage de la maison :

Voir la section suivante :

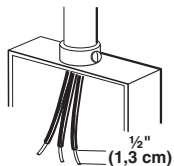
4 conducteurs

Câble à 4 conducteurs depuis le point de distribution du domicile



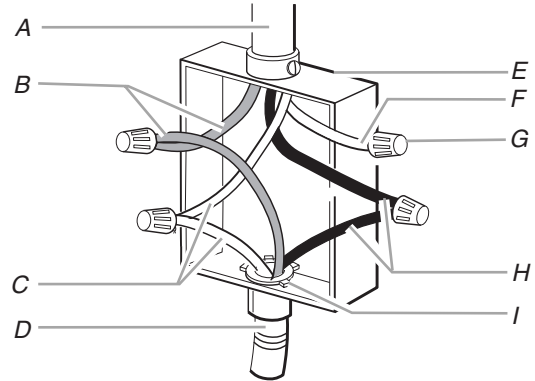
3 conducteurs

Câble à 3 conducteurs depuis le point de distribution du domicile



Câble à 4 conducteurs depuis le point de distribution du domicile

IMPORTANT : Utiliser le câble à 4 conducteurs provenant du point de distribution du domicile aux États-Unis lorsque les codes ne permettent pas la mise à la terre par l'intermédiaire du conducteur neutre, en cas de nouvelle installation avec alimentation par un circuit secondaire (1996 NEC), dans les résidences mobiles et les véhicules récréatifs, dans les nouvelles constructions, et au Canada.



A. Câble depuis le point de distribution du domicile

B. Conducteurs rouges

C. Conducteurs verts (ou nus) de liaison à la terre

D. Câble à 3 conducteurs depuis la table de cuisson

E. Boîtier de connexion

F. Conducteur blanc (depuis le point de distribution du domicile)

G. Connecteur de fils (homologation UL)

H. Conducteurs noirs

I. Connecteur de conduit (homologation UL ou CSA) avec passe-fils

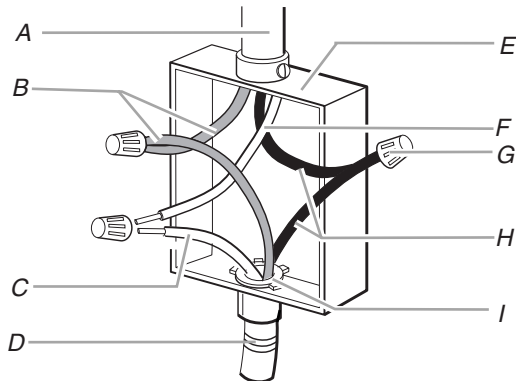
1. Connecter ensemble les 2 conducteurs rouges (B) avec un connecteur de fils (homologation UL).
2. Connecter le conducteur vert (ou nu) de liaison à la terre (C) du câble de la table de cuisson au conducteur vert (ou nu) de liaison à la terre dans le boîtier de connexion - utiliser un connecteur de fils (homologation UL).
3. Placer un connecteur de fils (homologation UL) à l'extrémité du conducteur blanc (F).

REMARQUE : Ne pas connecter le conducteur vert (ou nu) de liaison à la terre au conducteur neutre (blanc) dans le boîtier de connexion.

4. Connecter ensemble les 2 conducteurs noirs (H) avec un connecteur de fils (homologation UL).
5. Installer le couvercle du boîtier de connexion.

Câble à 3 conducteurs depuis le point de distribution du domicile - É.-U. seulement

IMPORTANT : Utiliser le câble à 3 conducteurs depuis le point de distribution du domicile lorsque les codes locaux autorisent un tel raccordement.



- | | |
|---|---|
| A. Câble depuis le point de distribution du domicile | F. Conducteur blanc (depuis le point de distribution du domicile) |
| B. Conducteurs rouges | G. Connecteur de fils (homologation UL) |
| C. Câble vert ou nu depuis la table de cuisson | H. Conducteurs noirs |
| D. Câble à 3 conducteurs (depuis la table de cuisson) | I. Connecteur de conduit (homologation UL ou CSA) avec passe-fils |
| E. Boîtier de connexion | |

1. Connecter ensemble les 2 conducteurs rouges (B) avec un connecteur de fils (homologation UL).
2. Connecter le conducteur vert ou nu de la table de cuisson (C) au conducteur blanc (neutre) (F) dans le boîtier de connexion avec un connecteur de fils (homologation UL).
3. Connecter ensemble les 2 conducteurs noirs (H) avec un connecteur de fils (homologation UL).
4. Installer le couvercle du boîtier de connexion.

Achever l'installation

1. Vérifier que toutes les pièces sont maintenant installées. S'il reste une pièce, passer en revue les différentes étapes pour découvrir laquelle aurait été oubliée.
2. Vérifier la présence de tous les outils.
3. Jeter/recycler tous les matériaux d'emballage.
4. Utiliser une solution d'eau tiède et de nettoyant ménager liquide doux pour nettoyer la table de cuisson avant utilisation. Sécher parfaitement avec un linge doux. Pour plus de renseignements, voir la section "Entretien de la table de cuisson" du Guide d'utilisation et d'entretien.
5. Lire "Utilisation de la table de cuisson" dans le Guide d'utilisation et d'entretien de la table de cuisson.
6. Reconnecter la source de courant électrique.

REMARQUE : Si la table de cuisson ne fonctionne pas une fois que l'appareil a été mis sous tension, vérifier que le disjoncteur n'est pas déclenché ou que les fusibles ne sont pas grillés. Voir la section "Dépannage" dans le Guide d'utilisation et d'entretien pour plus de renseignements.

Si vous avez besoin d'assistance ou de service :

Consulter la section "Assistance ou service" du Guide d'utilisation et d'entretien ou contacter le marchand chez qui vous avez acheté votre table de cuisson.