

Café™ 30" Built-In Touch Control Electric Cooktop

CEP90302NSS / CEP90301NBB

CAFÉ

DISTINCT BY DESIGN™



ALSO AVAILABLE IN



CEP90301NBB
Black

FEATURES & BENEFITS

Cook more food. Entertain more possibilities - Prepare more at the same time with five radiant cooking elements that deliver rapid, consistent heat

More heat for more space - Evenly heat large cookware like griddles or dutch ovens by controlling two 7" synchronized elements with just the touch of a button

The perfect match for pots and pans of all sizes - Tailor your burner size to your cookware with an 9 7/8" element that's powerful enough to boil water quickly

When you're updating your kitchen, attention to detail is a priority. That's why Café cooktops are guaranteed for an exact fit or Café Appliances will pay up to \$100 toward modifications

Flexible burner sizes add more function - Tailor your burner size to your cookware with an 8 5/8" dual element

Keep dishes at ready-to-serve temperatures - Serve every dish at the perfect temperature thanks to a keep warm setting on a fully-functional 6" element

Melting just got more precise - Melt butter without browning it using the melt setting

Safety controls add peace of mind - Prevent unintended burner activation with control lock capability

Know what's hot and what's not - Keep your kitchen accident-free with a hot surface indicator light that shows you with a glance when elements are too hot to touch

APPEARANCE

Color Appearance	Black Ceramic Glass
Frameless	Yes

FEATURES

Cooktop Surface	Black Ceramic Glass with Beveled Edge
Cooktop Burner Type	5 Ribbon, Smoothtop
Element - Left Front	7" 1500W
Element - Left Rear	7" 1500W
Element - Right Front	8 5/8" 2200W Dual
Element - Right Rear	6" 1200W
Element - Center	9 7/8" 3000W Power Boil
Control Location	Front Center
Control Type	Glass Touch
Cooktop Control Features	Control Lock Capability, Keep-Warm Setting, Sync-Burners Capability, Melt Setting
Melt Setting	Yes
Indicator Lights	5 Hot Surface, Surface Element "ON" Red

WEIGHTS & DIMENSIONS

Approximate Shipping Weight	46 lb
Cabinet Width	30 in
Cooktop Size	30 in
Cutout Dimensions (Width x Depth) (In.)	28-1/2 x 19-5/8
Net Weight	40 lb
Overall Depth	21-1/2 in
Overall Height	5-13/16 in
Overall Width	29-7/8 in

POWER/RATINGS

Max. Connected Load (kW) at 208V	71
Max. Connected Load (kW) at 240V	9.4
Max. Current Draw (Amps) at 208V	33.9
Max. Current Draw (Amps) at 240V	39.2
Recommended Circuit Breaker (Amps) at 208V	40
Recommended Circuit Breaker (Amps) at 240V	40

ACCESSORIES

Griddle	Included
Filler trim kit	JXTR32B

Café™ 30" Built-In Touch Control Electric Cooktop

CEP90302NSS / CEP90301NB

CAFÉ

DISTINCT BY DESIGN™

WARRANTY

Parts warranty	Limited 1-year entire appliance
Labor warranty	Limited 1-year entire appliance
Warranty notes	See written warranty for full details

DIMENSIONS AND INSTALLATION

Important: Requires a 5" free area between the bottom of the cooktop to any combustible material, i.e., shelving. Free area not required when installing wall oven underneath cooktop. Refer to installation instructions. Requires a 15" minimum from cooktop to adjacent overhead cabinets. Units are furnished with a 48" flexible armored cable.

Note: 30" Ribbon cooktops are approved for use over select Café 27" and Café 30" Single Wall Ovens and Warming Drawers. Refer to cooktop and wall oven/warming drawer installation instructions packed with product for current dimensional data. If installed with a Telescopic Downdraft System, consult both the cooktop and downdraft installation instructions packed with product before installing. Cooktop gas/electric supply may need to be re-routed to install downdraft. The countertop cutout requires 23-1/2" minimum flat countertop surface and 25" minimum total countertop depth. In addition, other clearances to front edge of the countertop must be considered. Before installing, consult installation instructions packed with product for current dimensional data.

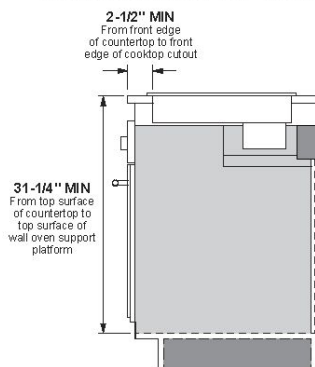
Cutout filler trim kit: A filler trim kit is available for use if your countertop cutout is larger than the dimension shown, up to 29-13/16" x 20-7/16". Order JXTR32B to reduce the cutout opening for installation of this cooktop. These kits may be ordered from your Café Appliances Dealer.

Voltage (60HZ AC)	240V	208V
Connected load (max.)	9.4Kw	7.1Kw
Current draw (max.)	39.2 Amps	33.9 Amps
Recommended circuit breaker†	40 Amps	40 Amps

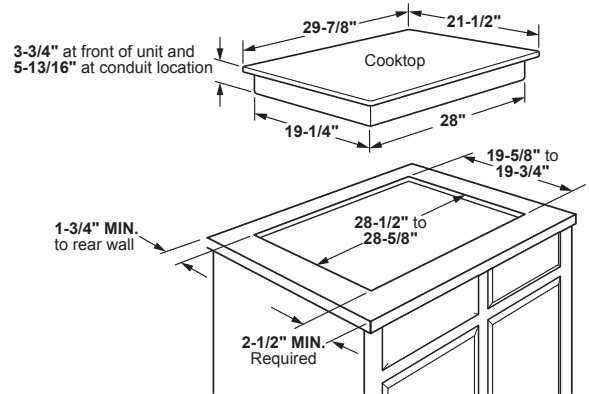
†**Note:** Check local codes for required breaker size.

Installation above a wall oven

INSTALLATION ABOVE A WALL OVEN



Approximate Cooking Dimensions



To insure accuracy, it is best to make a template when cutting the opening in the counter

