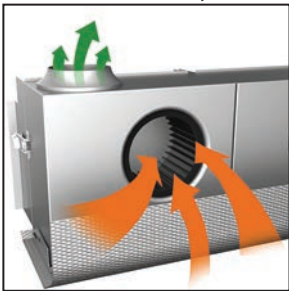


- Unique CircuFlow Ventilation System™ with centrifugal blower design prevents grease and contaminants from collecting in ductwork for safe operation.
- Appropriate CFM specifications to perfectly match any Hestan cooking product for optimized fume and grease extraction.

CircuFlow Ventilation System™

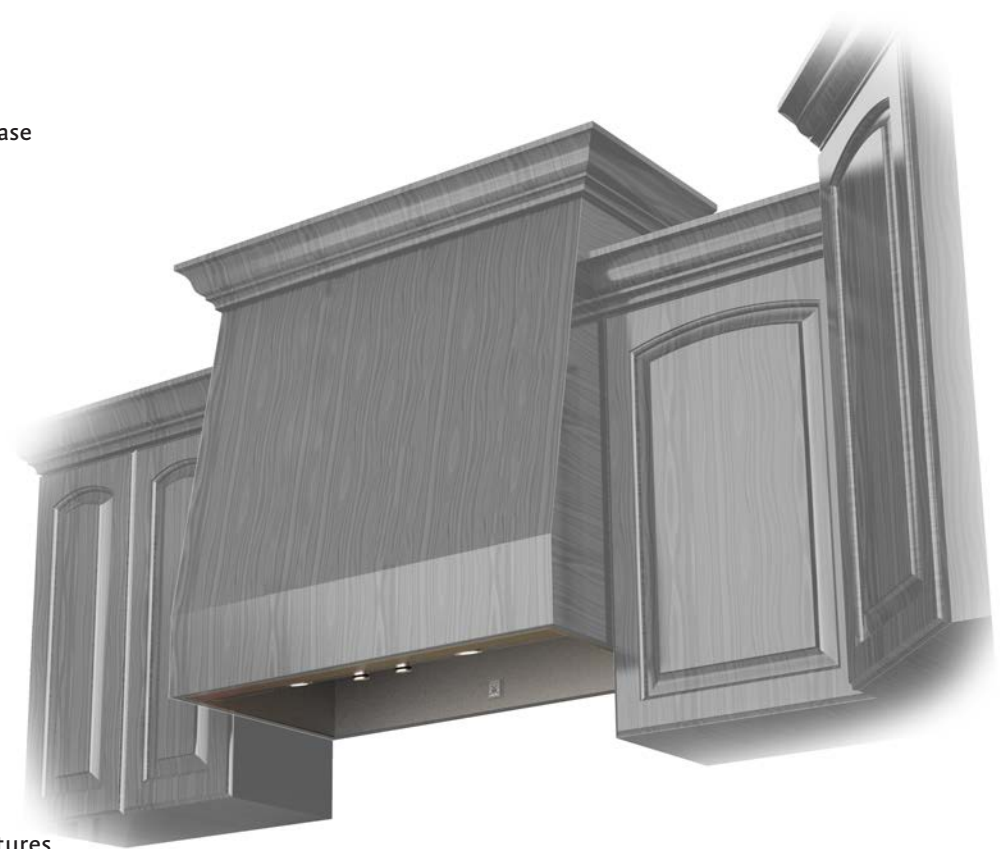


- Baffle-less, variable speed blower CircuFlow Ventilation System™ collects 70% more grease than most competing models.
- Ultra quiet CircuFlow Ventilation System™ provides best-in-class air flow and extraction efficiency.
- Removable blower components are dishwasher-safe for easy cleaning.
- Optimized low-temp LED lighting for optimum illumination.
- Blower speed automatically increases when higher temperatures are detected and when full blower power is not needed the blower speed automatically lowers for even quieter operation.
- Marquise Accented™ control panel profile compliments design integrity.
- Available in 30", 36", 42", 48", and 54" widths.

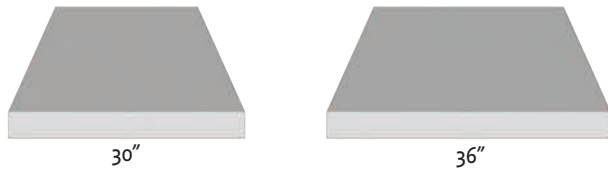
Removable Blower Housing



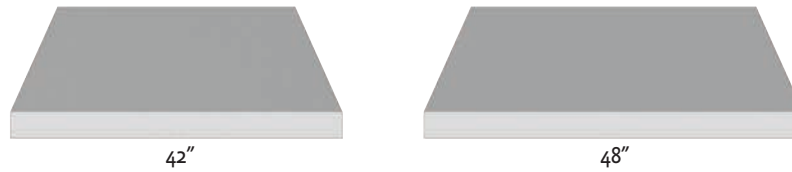
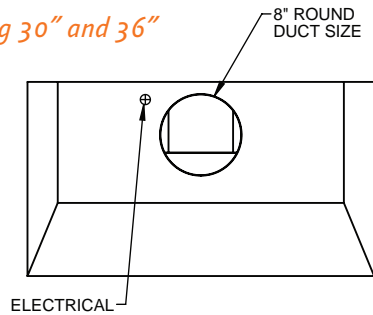
LED lighting



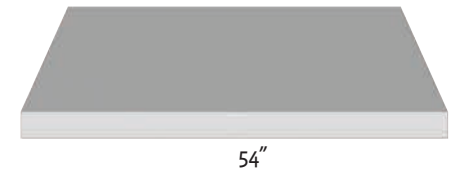
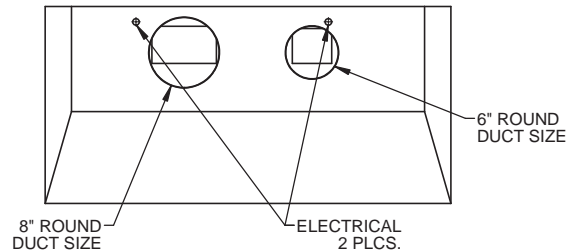
NOTE : SEE INSTALLATION MANUAL FOR MORE DETAILS  
 Liner Hoods require a structural housing for inserting and mounting the liner hood.



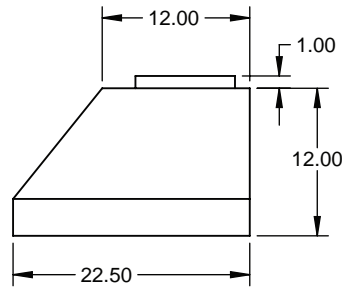
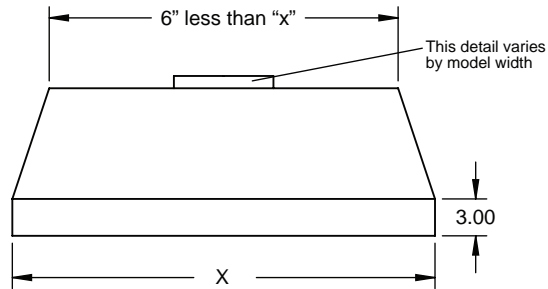
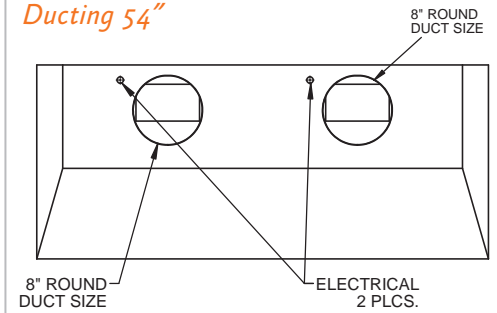
Ducting 30" and 36"



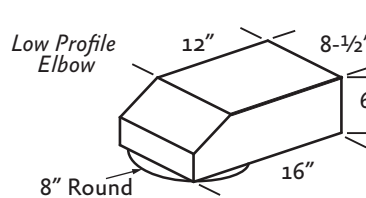
Ducting 42" and 48"



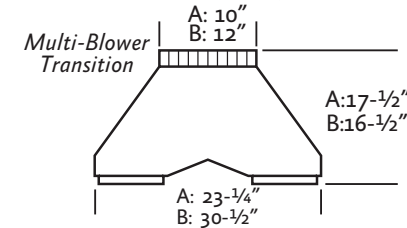
Ducting 54"



Vent Accessories - Refer to manual for vent accessories and options for your particular install



MODEL	DESCRIPTION
AKVBE8	8" Round to 6" x 8-1/2" Rect.



ITEM	MODEL	DESCRIPTION
A	AKVT6810	6" & 8" to 10"
B	AKVT8812	8" & 8" to 12"



ALL Models	Description	Width Dimensions		CFM SP@0.0"	Equivalent CFM**	Duct Sizes Needed	Volts	Amps	Hz	RPM	Sones	# Lights	Approx SHP WT (lbs)
		X (in.)											
KVL30	30" Liner Hood	28.38		600	900	8"	115	4.0	60	1550	6.5	2	41
KVL36	36" Liner Hood	34.38		600	900	8"	115	4.0	60	1550	6.5	2	53
KVL42	42" Liner Hood	40.38		900	1350	10"	115	6.0	60	1550	6.3	3	62
KVL48	48" Liner Hood	46.38		900	1350	10"	115	6.0	60	1550	6.3	3	72
KVL54	54" Liner Hood	52.38		1200	1800	12"	115	7.5	60	1550	6.6	3	83

\*\*When comparing the Hestan system with blower units made by other manufacturers, use the "Equivalent CFM"

Hestan Indoor products are approved for indoor use only. Hestan Commercial Corporation reserves the right to change materials and specifications without notice.



**CONTACT US:** [www.hestanhome.com](http://www.hestanhome.com) phone 888.905.7463 3375 E. La Palma Ave., Anaheim, CA 92806