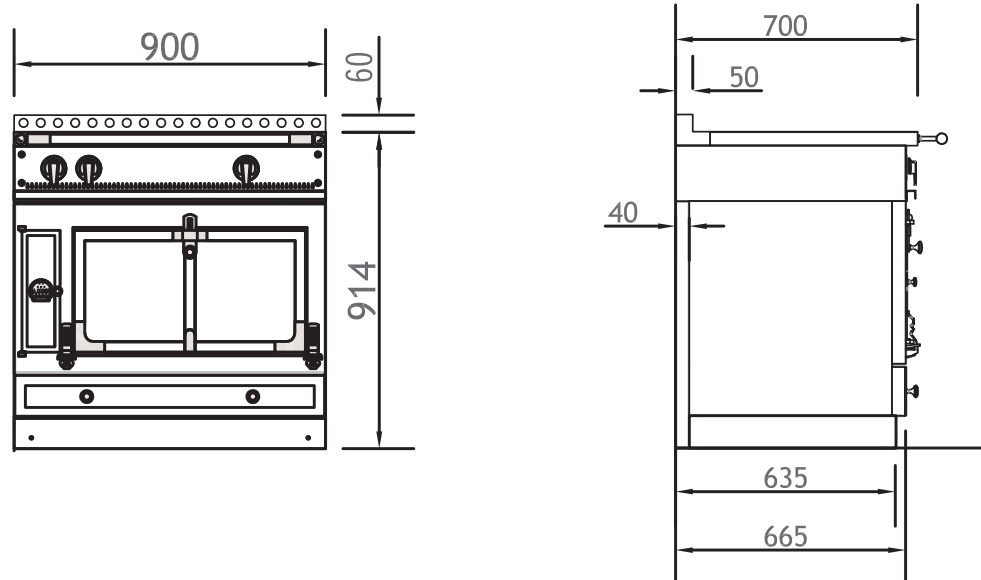


90: G49



The Chateau 90 is small but impressive, perfect for smaller kitchens deserving of a powerful yet compact range. With one grand vaulted oven in either gas or electric, this range measures just under 36" and offers six rangetop options to maximize performance.



SPECIFICATIONS

CHÂTEAU 90: G49

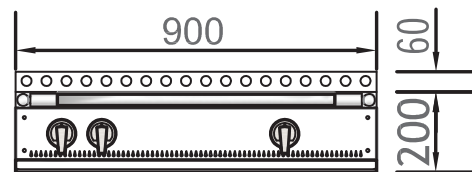
900 W x 700 D x 914 H (mm)
 35.4 W x 27.6 D x 36 H (inches)
 Approx. 330 lb. uncrated, 600 lb. crated
 Choice of 6 top configurations

TRADITIONAL CHÂTEAU COOKTOP CONFIGURATION RANGES INCLUDE:
 1 Grand Vaulted Gas Oven with Electric Broiler 22.6W x 19.8D x 11.8H – 3.1 cubic feet *or*
 1 Grand Vaulted Electric Oven with Electric Broiler 22.6W x 19.8D x 11.8H – 2.7 cubic feet

ALL INDUCTION CHÂTEAU COOKTOP CONFIGURATION RANGE INCLUDES:
 2 Vaulted Electric Ovens with Electric Broilers

CHÂTEAU RANGETOP 90: T49

900 W x 700 D x 200 H (mm)
 35.4 W x 27.6 D x 7.9 H (inches)
 Approx. 150 lb. uncrated, 250 lb. crated
 Choice of 6 top configurations



LE CHÂTEAU OPTIONS

Enamel and Metal Body Options: Chateau ranges are available in a variety of 50 enamel or metal body finishes, and can also be customized in a one-of-a-kind color. Prices may vary depending on colors selected.

Trim Options: Polished Brass, Brushed Brass, Brushed Stainless Steel, Brushed Nickel, Polished Chrome, Polished Copper, Matte Black, Black Shiny Chrome, Matte Bronze, Brushed Copper and Polished Stainless Steel. Prices may vary depending on trims selected.

90 : G49

RANGETOP CONFIGURATIONS



90 US C1

2 gas burners (small burner at the back)
1 maxi burner



90 US C2

2 gas burners (small burner at the back)
1 Plaque "French Top" (small)
2 gas burners (small burner at the back)



90 US C3

2 gas burners (small burner at the back)
1 Plaque "French Top" (small)
1 gas lava-rock grill



90 US C5*

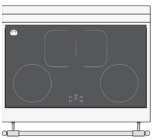
2 gas burners (small burner at the back)
1 Plaque "French Top" (small)
2 induction plates



90 US CC*

2 induction plates
1 large electric Teppan-Yaki

*Induction element incurs an upcharge per element

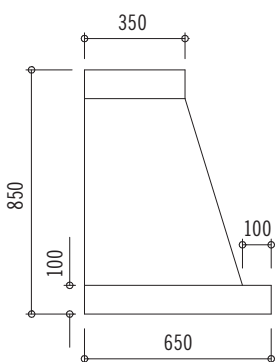


90 US C1

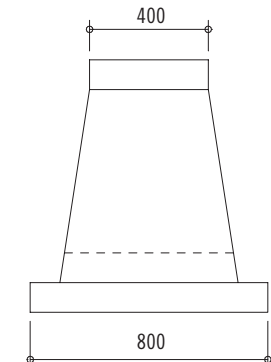
Full Induction 90 Plate includes:
2 rectangular burners - both burners can be bridged together
2 circular burners

CHÂTEAU SERIES HOODS

Since every installation is unique, Hotte Chateau hoods are sold without a blower system, as a shell-only. Motorized hoods are available for standard wall-mounted Hotte Chateau. Please contact your local HVAC contractor to discuss specific installation requirements. La Cornue does offer standard Chateau hood models with blower option, as noted below. For custom inserts, please inquire with Middleby Residential directly.

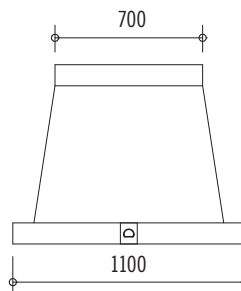


Standard Configuration Wall Hood
Side View



Standard Configuration Island Hood
Side View

Traditional wall mounted hood. Island Hoods are also available. Custom Hoods available by quote. Hood height may be increased up to 1500 mm/ 59 inches by adding height to the upper band (total maximum height would be 2250 mm/88.5 inches).



HOTTE CHATEAU 90: H11T0

1100 W x 850 H x 650 D (mm)
43.3 W x 33.5 H x 25.6 D (inches)

Available in Shell-Only, Motorized Hood,
and Island configurations

*Motorized Factory installed blower and liner are available for the Chateau Hotte wall mounted hoods only. Motorized hoods include a 1200 CFM blower for all two oven cookers and a 600 CFM blower for all one oven cookers. They also include, liner, lights, baffle filters and a remote control.