



6.5 cu. ft. Gas Dryer

NGD4655E



White
NGD4655EW

Capacity

Total 6.5 cu. ft.

General Features & Properties

11 Dryer Cycles

3 Temperature Settings

Reversible Door

Electrical Details

Hz 60

Amps 15 or 20

Volts 120

Technical Details

Drum Material Powder Coat

Fuel Type Gas

Door Style Side Swing

Reversible Door Yes

Number of Dryer Cycles 11

Selection of Drying Cycles
10 min Air Dry
20 min Air Dry
AutoDry - High
AutoDry - Low
Automatic Dry
Energy Preferred
Less Dry
More Dry
Timed Dry 20
Timed Dry 40
Timed Dry 60

Dryer Option Selections
Temp High
Temp Low

Dimensions

Product Dimensions (H x W x D) 42-11/16" x 29" x 28-3/8"

Depth with Door Open 90° 50-11/16"

Maximum Vent Length 64'

Venting Direction Rear Only

Ventless No

Reference Material

[Dimension Guide](#)

[Install Guide](#)

[Use & Care Guide](#)

[Warranty](#)

Key Features & Benefits

Automatic Dryness Control

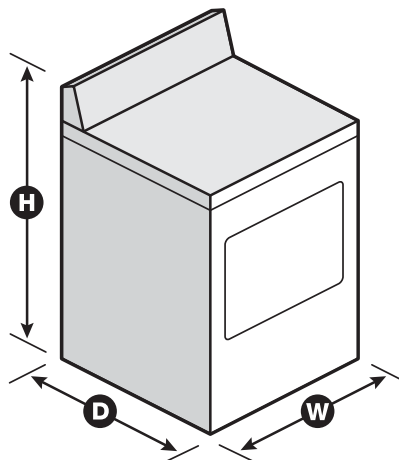
Automatic Dryness Control uses temperature sensors to end the cycle at the right time to help prevent overdrying, so favorite items like comfy sweatpants get just the perfect dry.

Wrinkle Prevent Option

When you can't fold right away, use the Wrinkle Prevent Option. It tumbles clothes intermittently without heat to help prevent creases and crinkles from settling in.

6.5 Cu. Ft. Capacity

6.5 cu. ft. Capacity can help take a load off your mind.



NOTE: Dimensions are for planning purposes only. For complete details, see Installation Instructions packed with product. Specifications subject to change without notice.

®/™ © 2020. All rights reserved. Printed in the U.S.A. D200104XXD. NGD4655ESpecSheetV01.