

KNOWLEDGE TRANSFER:

MHN33 High-Efficiency Front-Load Washer



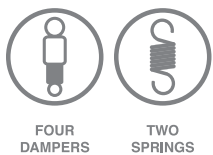
WHAT'S INSIDE MATTERS®

ADVANCED SPIN TECHNOLOGY

The MHN33's Advanced Spin Technology delivers more accurate cycle times and better unbalanced performance for a variety of load types.* The six-point suspension, accelerometer, progressive spin logic and pump routine combine to offer enhanced wash performance.



FEATURES:



FOUR DAMPERS

TWO SPRINGS

1 Six-Point Suspension

Provides better stability for entire wash unit with four dampers and two springs.



ACCELEROMETER

2 Accelerometer

Provides an accurate reading of cabinet vibration and allows washer to expand final spin speed limits.



PROGRESSIVE SPIN LOGIC

3 Progressive Spin Logic

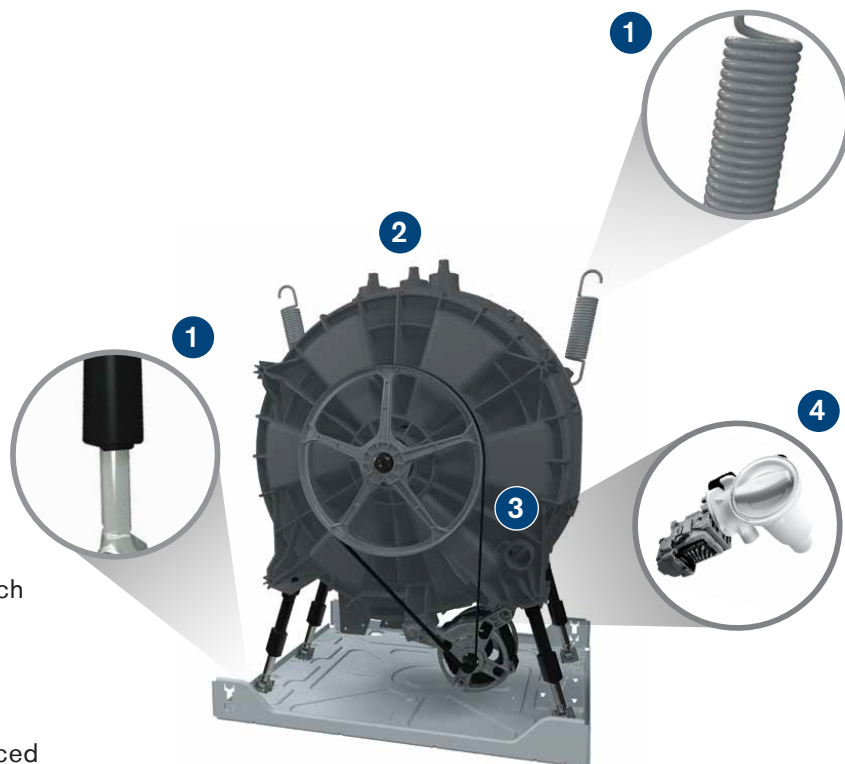
Delivers consistent cycle performance by selecting the optimal final spin speed for each cycle and load type.



PUMP ROUTINE

4 Pump Routine

Helps reduce unbalanced loads through improved pump performance in final spin.



*Compared to previous model MHN30, based on an 18-lb load.

