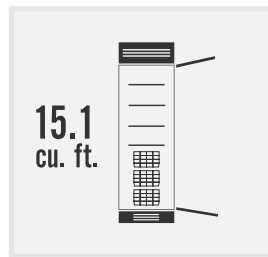
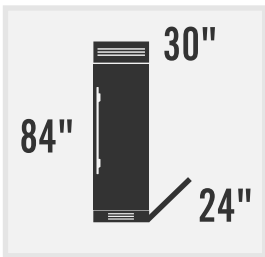




FULL SIZE FREEZER

30" Freezer (Right or Left Hinged) With Solid Stainless Steel Door

Offering 15.1 cu ft of freezer space, the 30" Freezer Column is the most flexible, functional, and unique True freezer to date. Perfect for large families and regular hosts, the Freezer Column is sized to fit into any space and to perfectly preserve all the proteins, produce, and party goods you could possibly need.



TR-30FRZ-R-SS-A & TR-30FRZ-L-SS-A,
30" Freezer (Right or Left Hinged)
With Solid Stainless Steel Door



TR-30FRZ-R-SS-A
Door Closed

EXCEPTIONAL FEATURES

Industry exclusive, 300-series stainless steel interior and exterior. Stainless steel interior is antibacterial, hygienic, easy to clean, and does not retain food odors.

All stainless steel, beautifully crafted proud hinges pass True's rigorous one million door opening test.

Beautifully crafted solid stainless steel door with 120° stay-open feature and ergonomically designed, robust, tubular handles.

Commercially inspired lift-up grill on top of the unit with toe kick that complements the look of True's undercounter units.

Ramp-up, showcase interior LED lighting provides amazing illumination throughout.

Intuitive True Precision® Control and readout provides digital accuracy and easy operation.

Balanced, forced-air refrigeration system enables proper airflow and even temperature throughout to keep frozen food fresh.

Temperature as low as -4°F.

ORGANIZATION

4 electro-polished stainless steel shelves.

3 full-extension, soft-close wire bins.

OPTIONAL ACCESSORIES

Side panels - Required for exposed side installation.

60" joining kit - 60" cohesive grill & toe kick when installing (2) units together

90" joining kit - 90" cohesive grill & toe kick when installing (3) units together

ELECTRICAL SPECIFICATIONS

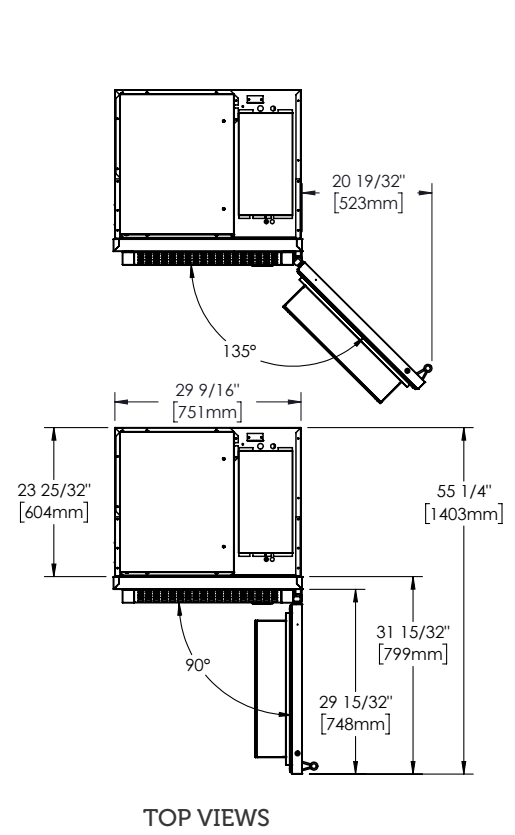
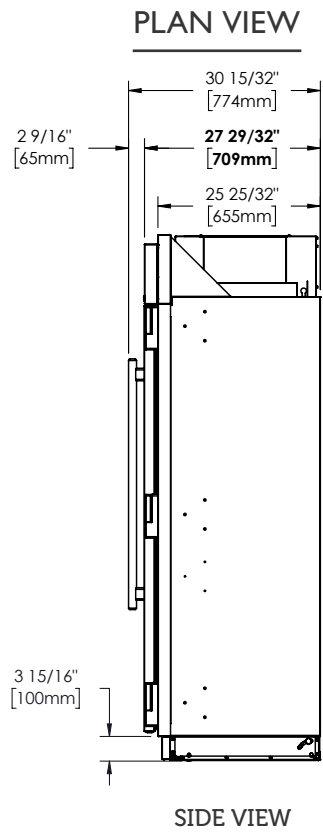
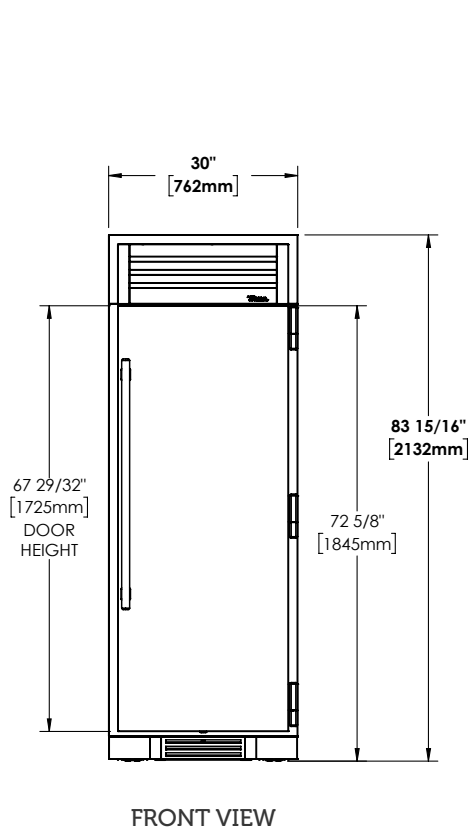
Voltage: 115/60/1

Amps: 3.2

Power Cord Length: 9'

Annual kWh Consumption: 413



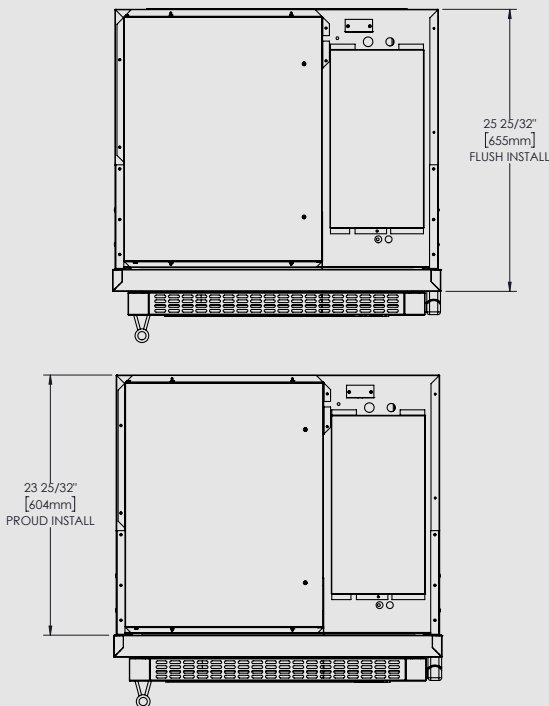


Dimensions may vary by ± 1/8"

FLUSH OPENING DIMENSIONS

Width	Depth†	Height
30 1/4"	26"	84 1/4"

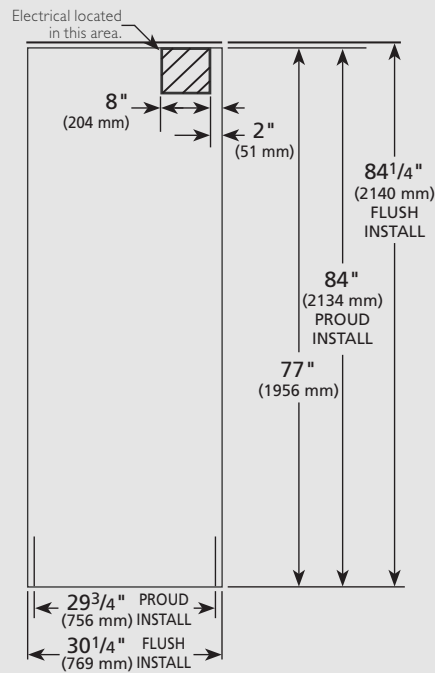
TOP VIEW
FIGURE 1 ROUGH OPENING



PROUD OPENING DIMENSIONS

Width	Depth†	Height
29 3/4"	24"	84"

FRONT VIEW
FIGURE 2 ROUGH OPENING



SPECIFICATIONS

Width	30"
Depth†	28"
Height	84"
Shelving	4 electro-polished stainless steel shelves. 3 full-extension, soft-close wire bins.
Flush Opening Width	30 1/4"
Flush Opening Depth	26"
Flush Opening Height	84 1/4"
Proud Opening Width	29 3/4"
Proud Opening Depth	24"
Proud Opening Height	84"
Weight**	515 lbs

†Depth does not include 2 7/8" for door handle.
**Because of the weight of this unit, it is recommended to consult a flooring expert prior to installation. The flooring beneath the unit should be rated to support at least 150 pounds per square foot.