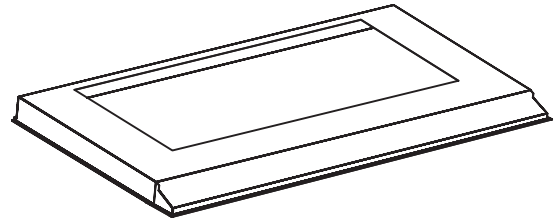


L5230, L7030, L7036 AND L7048 LINERS



Especially designed to protect the exterior base of a custom hood. Fit P1951M and 1952M Series inserts.

FEATURES

- Cabinet mount – custom application
- Stainless Steel Finish
- Adjustable depth to fit into cabinet openings as shown on chart (front to back)
- Fit custom hood nominal widths: 30", 36" or 48"
- Wipes clean easily

TO ORDER

Refer to table below to find the right liner part number for your insert and for width of the custom hood.

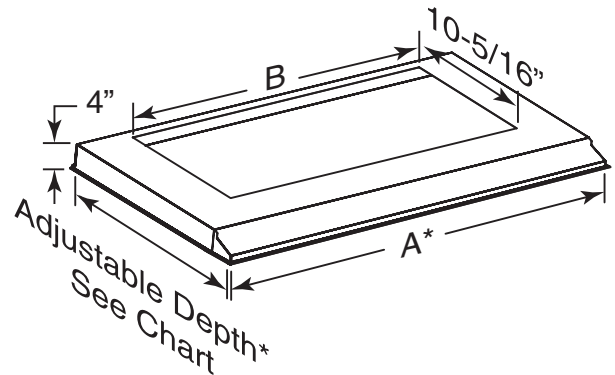
DIMENSIONS

Liner Model	Insert Model	Custom Hood Nominal Width	Adjustable Depth*		Width A*	Cut-out Width B
			Fits into cabinet openings of			
			Without Backboard	With Backboard		
L5230	P1951M52CM	30"	17 1/2" to 20 1/2"	17 1/8" to 20 1/8"	28 3/8"	19 9/16"
L7030	P1951M70CM or P1952M70CM	30"	17 1/2" to 20 1/2"	17 1/8" to 20 1/8"	28 3/8"	26 11/16"
L7036	P1951M70CM or P1952M70CM	36"	17 1/2" to 20 1/2"	17 1/8" to 20 1/8"	34 3/8"	26 11/16"
L7048	P1951M70CM or P1952M70CM	48"	17 1/2" to 20 1/2"	17 1/8" to 20 1/8"	46 3/8"	26 11/16"

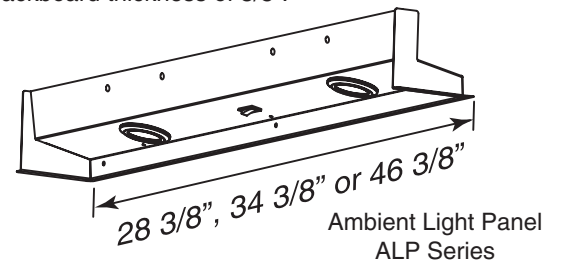
The INSIDE DEPTH shown in the table above assumes a minimum cabinet backboard thickness of 3/8".

OPTION

- Ambient light panel (ALP Series) for L Series custom hood liners (Halogen lighting: 30" and 36" – 2 x 50 watt; 48" – 3 x 50 watt GU10) Lamps included



* Dimension does not include 3/8" wide flange.



BEST BY BROAN P.O. BOX 140 HARTFORD, WISCONSIN 53027

REFERENCE	QTY.	REMARKS	Project	
				Location
				Architect
				Engineer
				Contractor
				Submitted by Date