

# **Electrolux**

## Factory Parts Catalog

Product No.	E36DF76EPS
Series	36" dual fuel
Color	stainless
Market	North America
Wiring Diagram	5995449492
Owner's Guide	5995447074
Installation Instructions	5995447082

# **Electrolux**

Electrolux Major Appliances  
North & Latin America  
P.O. BOX 212378  
AUGUSTA, GA 30917

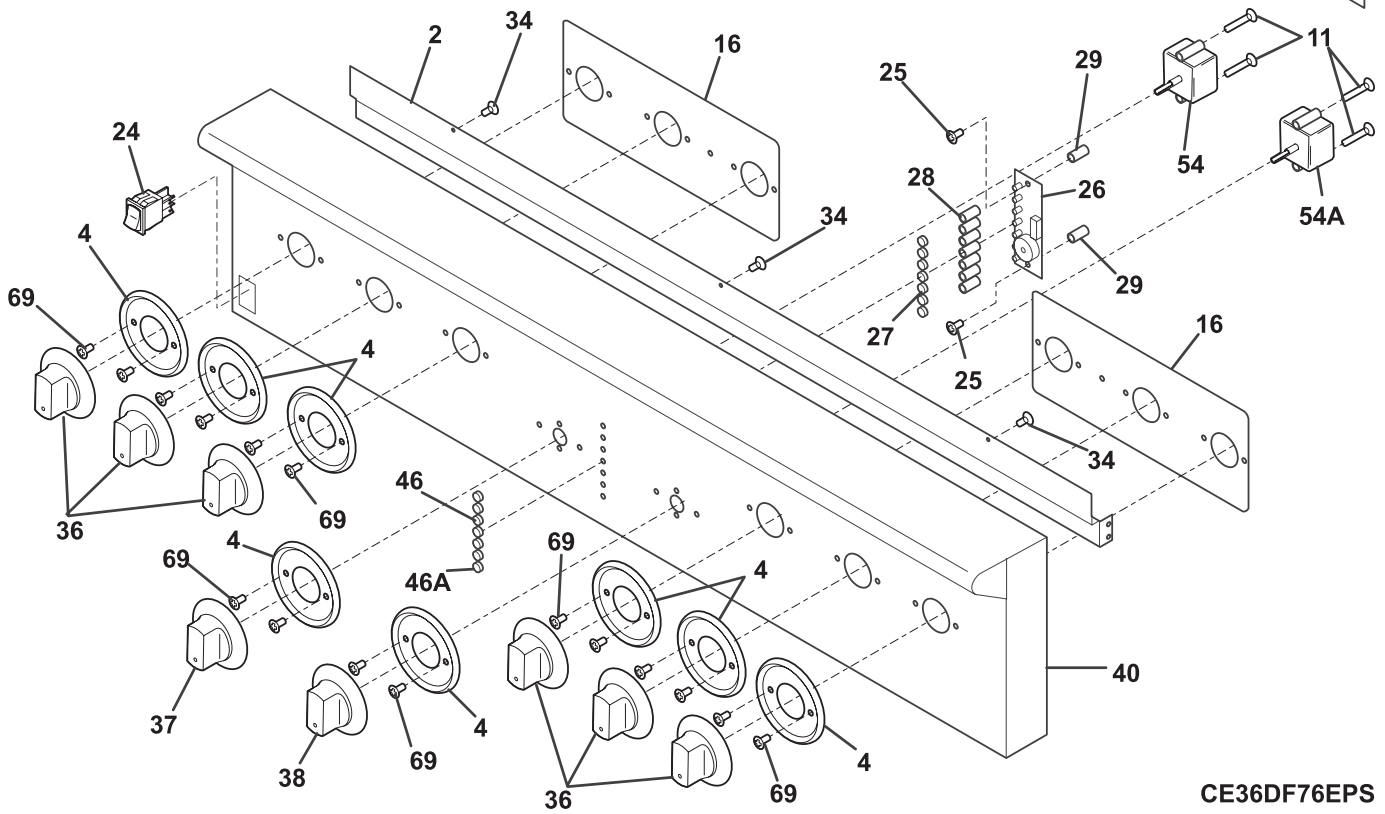
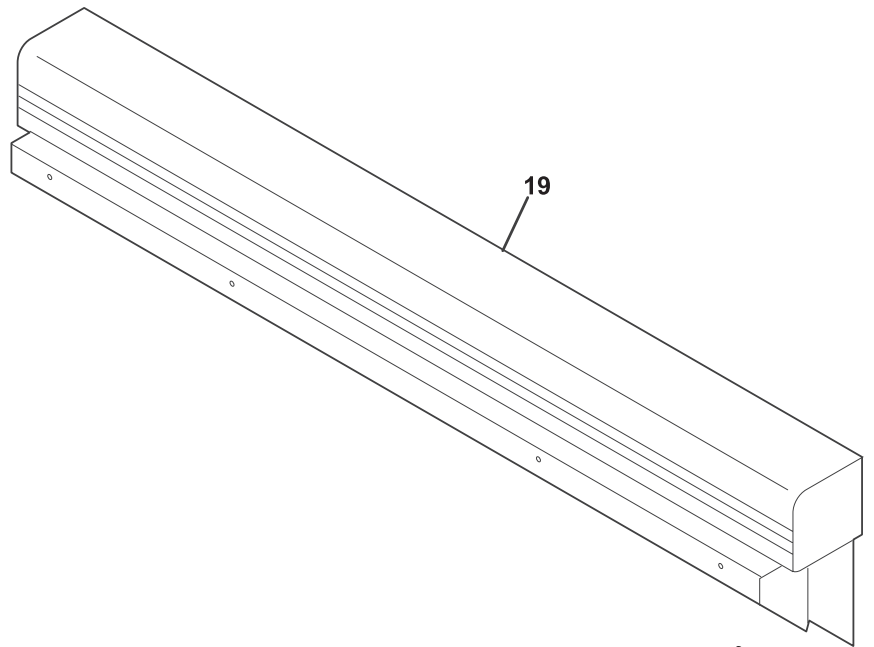
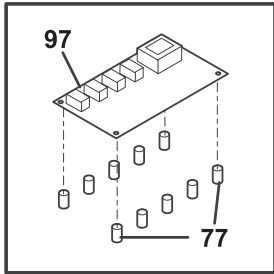
Publication No.  
**5995453577**  
05/11/08  
(EN/SERVICE/ECL)  
369

**36-INCH FREE-  
STANDING  
DUAL FUEL RANGE**

Model No.  
**E36DF76E**

Copyright © 2005 Electrolux Home Products, Inc.  
All rights reserved.

**BACKGUARD**



**CE36DF76EPS**

**BACKGUARD**

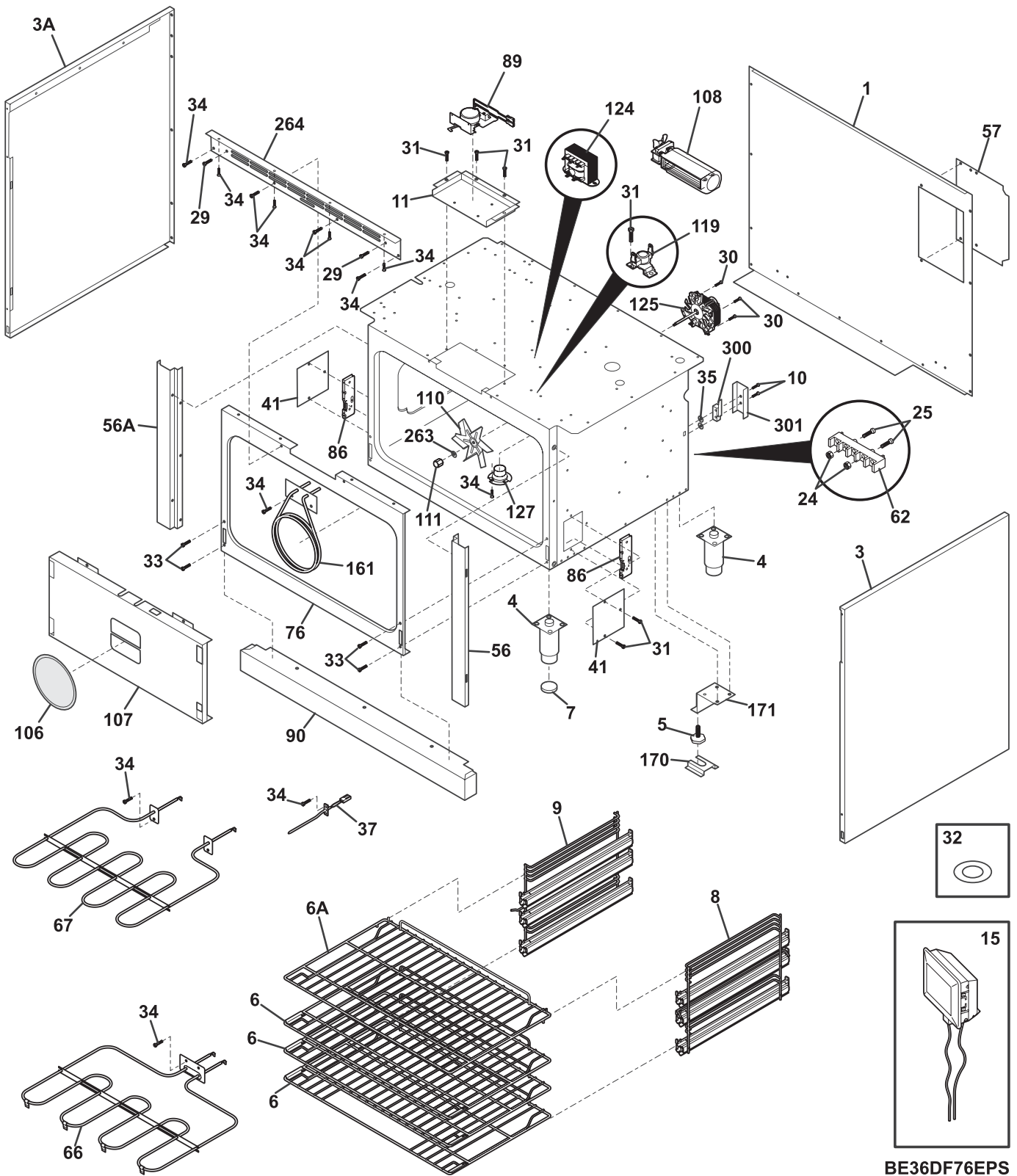
POS. NO	PART NO.	DESCRIPTION
2	5304452785	Support, spill tray, front
4	5304446031	Bezel, burner knob, (8)
11	5304452790	Screw, pan, 6/32 x 1/2, (4)
16	5304452788	Panel, mounting, (2)
19	5304452787	Panel, backguard
24 #	5304452794	Switch, rocker
25	5304446272	Screw, phil hd, #8-32 x 1/4, (4)
26 #	5304452799	Board, indicator light, LED
27	5304452786	Retainer, lens, (7)
28	5304452796	Tubing, indicator light, (7)
29	5304452793	Spacer, light board, (2)
34	5304452454	Screw, #8 x .375", (16)
36	5304452800	Knob, top burner, (6)
37	5304452801	Knob, oven selector
38	5304452802	Knob, oven temp.
40	5304452789	Panel, control, stainless
46	5304452795	Lens, indicator light, blue, (6)
46A	5304452805	Lens, indicator light, red
54 #	5304452797	Control, oven selector
54A#	5304452798	Control, oven temp.
69	5304452792	Screw, mounting, (17)
77	5304452791	Support, control board, (10)
97 #	5304452784	Board, control
* #	5304452804	Harness, wiring, oven controls
* #	5304452803	Harness, wiring, indicator light



**BURNER**

POS. NO	PART NO.	DESCRIPTION
1 #	5304452813	Tubing Assembly, burner, left front
2 #	5304452814	Tubing Assembly, burner, left rear
3 #	5304452817	Tubing Assembly, burner, right front
4 #	5304452818	Tubing Assembly, burner, right rear
5 #	5304452810	Valve Assembly, w/switch, right rear
6 #	5304452811	Valve Assembly, w/switch, (4)
7 #	5304452809	Valve Assembly, w/switch, left front
8	5304446028	Nut, burner head, brass, (6)
9	5304452881	Rings, burner, set of 6
10 #	5304446014	Switch, ignitor, (6)
11 #	5304452824	Ignitor, burner, (6)
11*	5304446002	Jacket, ignitor wire, (6)
12 #	5304452820	Regulator, pressure
13	5304452819	Base, burner, (6)
14 #	5304452806	Manifold Assembly, w/valves
15	5304452825	Burner Head Assy, "B", 8500 BTU, (2), w/ignitor
16	5304452826	Burner Head Assy, "D", 14000 BTU, (4), w/ignitor
17	5304446023	Screw, ignitor switch, (12)
18	5304452807	Tube, manifold
19 #	5304452821	Module, ignitor wire
20 #	5304452808	Harness, wiring, cooktop
21 #	5304452812	Harness, wiring, ignitors
24	5304446015	Nut, hex keps, #8-32, (2)
26	5304452823	Washer, 1/2"
28 #	5304452816	Tubing Assembly, burner, center rear
29 #	5304452815	Tubing Assembly, burner, center front
31	5304452822	Screw, slot hex hd, #10 x 3/8", (12)
69	5304452792	Screw, mounting, (17)

**BODY**



**BE36DF76EPS**

---

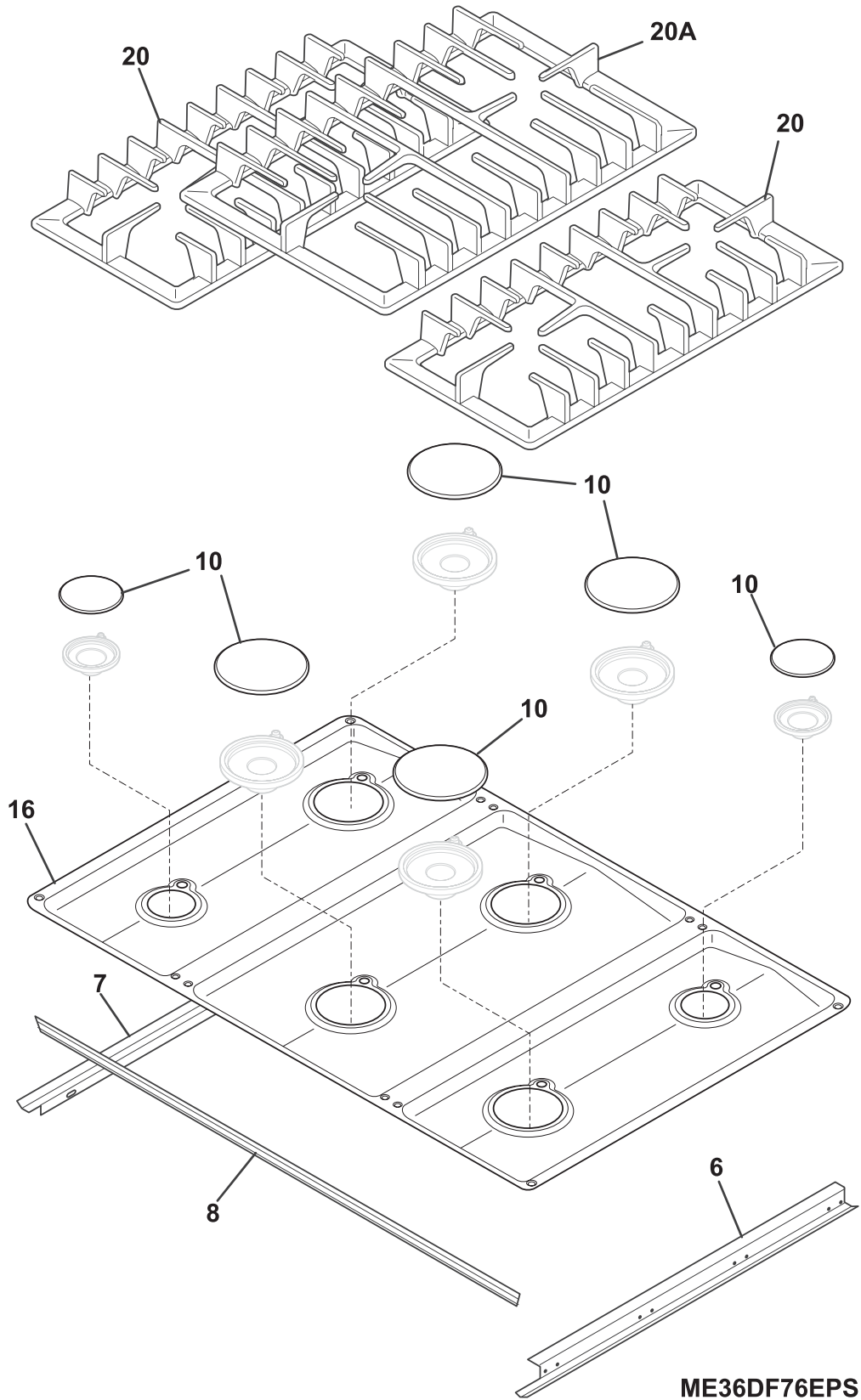
**BODY**


---

POS. NO	PART NO.	DESCRIPTION
1	5304452836	Panel, main back
3	5304452849	Panel, body side, RH
3A	5304452850	Panel, body side, LH
4	5304452840	Leg, adjustable, (4)
5	5304452863	Leveler, adjustable, (2)
6	5304452713	Rack, extendable, (3)
6A	5304452712	Rack, fixed
7	5304452848	Cap, leg, (4)
8	5304452867	Support, rack, RH
9	5304452868	Support, rack, LH
10	5304452830	Screw, #6 - 32 x 1", (2), w/washer
11	5304452834	Plate, latch
15 #	5304452872	Light Assembly, halogen, (2)
15*#	5304452831	BULB, halogen, 20w, (2)
15*#	5304452873	Harness, wiring, oven light
24	5304446015	Nut, hex keps, #8-32, (2)
25	5304446287	Screw, phil pan hd, #8-32 x 3/4, (2)
29	5304452855	Bumper, rubber, (2)
30	5304452862	Screw, slot hex hd, #8 x .370", (3)
31	5304452822	Screw, slot hex hd, #10 x 3/8", (12)
32	5304452864	Washer, flat, 1/2"
33	5304452865	Screw, btn hd, #10 - 32 x 1/2", (4)
34	5304452454	Screw, #8 x .375", (16)
35	5304452866	Washer, fiber, (2)
37 #	5304452846	Probe, temperature
41	5304452838	Cover, hinge opening, (2)
56	5304452853	Trim, body side, RH
56A	5304452852	Trim, body side, LH
57	5304452837	Panel, service, regulator
62 #	5304452828	Harness, main wiring, w/term. block
66 #	5304452870	Element, bake
67 #	5304452869	Element, broil
76	5304452827	Frame, oven front
86	5304452854	Receptacle, hinge, (2)
89 #	5304452859	Latch, door
90	5304452851	Panel, bottom trim
106	5304452860	Filter, convection
107	5304452839	Cover, convection fan
108#	5304452856	Blower, fan
110	5304452843	Blade, convection fan
111	5304452844	Nut, convection fan
119#	5304452861	Thermostat, temp. cutout
124#	5304452847	Transformer
125#	5304452842	Motor, convection fan
127	5304452858	Eliminator, smoke
161#	5304452857	Element, convection
170	5304452833	Bracket, anti-tip, floor, (2)
171	5304452835	Bracket, anti-tip, range, (2)
263	5304452845	Washer, convection fan
264	5304452829	Grill, intake, top
300#	5304452871	Switch, interlock, racks
301	5304452832	Cover, intrlck switch
*	5304452792	Screw, mounting, (17)

**TOP/DRAWER**

---



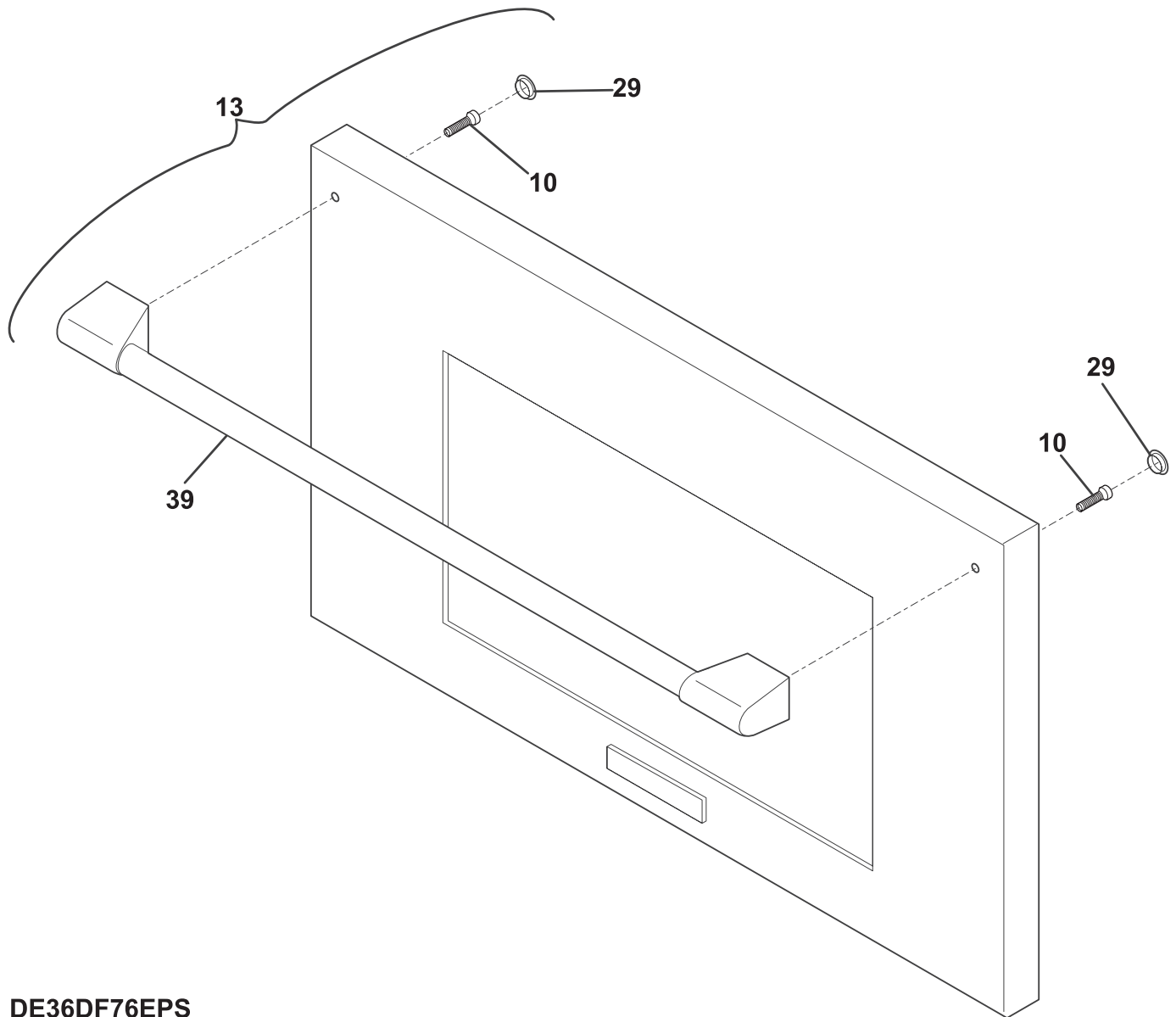
**TOP/DRAWER**

---

POS. NO	PART NO.	DESCRIPTION
6	5304452874	Support, maintop, side
7	5304452875	Angle, maintop support
8	5304452876	Support, maintop, front
10	5304452880	Caps, burner, set of 6
16	5304452877	Maintop, spill tray
20	5304452879	Grate, burner, 10", (2)
20A	5304452878	Grate, burner, 14"

**DOOR**

---



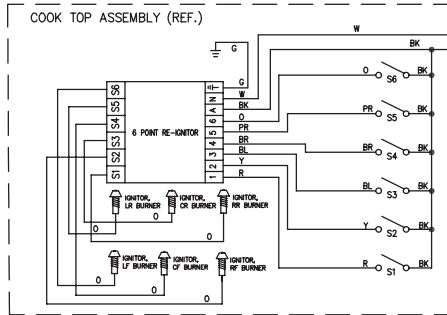
**DE36DF76EPS**

**DOOR**

---

POS. NO	PART NO.	DESCRIPTION
10	5304452883	Screw, handle mtg., (2)
13	5304452885	Door Assembly, complete, w/handle
29	5304452882	Plug, hole, (2)
39	5304452884	Handle Assembly, w/endcaps

WIRING DIAGRAM



MODEL NUMBER	ELECTRICAL CIRCUIT REQUIRED
E36DF76EPS	120/240VAC, 60Hz, 50A

WIRE COLOR CODE

- W - WHITE
- R - RED
- Y - YELLOW
- O - ORANGE
- BK - BLACK
- BR - BROWN
- BL - BLUE
- GR - GREEN
- PR - PURPLE

