

# Installation Instructions

## Dual Fuel Ranges



 **Electrolux**

# 2 Safety

---


## IMPORTANT SAFETY INSTRUCTIONS

---

### Safety Precautions

Do not attempt to install or operate your unit until you have read the safety precautions in this manual. Safety items throughout this manual are labeled with a Warning or Caution based on the risk type.

### Definitions

 This is the safety alert symbol. It is used to alert you to potential personal injury hazards. Obey all safety messages that follow this symbol to avoid possible injury or death.

#### **WARNING**

**WARNING** indicates a potentially hazardous situation which, if not avoided, could result in death or serious injury.

#### **CAUTION**

**CAUTION** indicates a potentially hazardous situation which, if not avoided, may result in minor or moderate injury.

#### **CAUTION**

**CAUTION** used without the safety alert symbol indicates a potentially hazardous situation which, if not avoided, may result in property damage.

#### **IMPORTANT**

Indicates installation, operation or maintenance information which is important but not hazard related.

---

## SAFETY PRECAUTIONS

---

### **WARNING**

- Read all instructions before using the appliance.
- Improper installation, adjustment, alteration, service, or maintenance can cause personal injury or property damage. Refer to these instructions and the accompanying Use & Care Manual. For assistance or additional information, consult a qualified installer, service agency, manufacturer (dealer), or the gas supplier.
- For your safety:
  - Do not store or use gasoline or other flammable vapors and liquids in the vicinity of this or any other appliance.
  - Do not obstruct the flow of combustion and ventilation air to the unit.
  - Keep appliance area clear and free from combustible material, gasoline and other flammable vapors and liquids.
  - Do not use or attempt to use this appliance in the event of a power failure.
- This unit is designed as a cooking appliance. Never use it for warming or heating a room.
- This appliance must not be used in combination with surface (countertop) ventilation systems. The use of an overhead hood or downdraft is recommended for ventilation.
- This appliance must be installed with the gas pressure regulator supplied with it.
- Disconnect the electrical supply before installing or servicing the appliance.
- This appliance must be grounded. Connect only to a properly grounded electrical supply. Refer to “Electrical Requirements”.
- Install or locate this appliance only in accordance with these installation instructions.
- Use this appliance only for its intended use as described in this manual. Do not use corrosive chemicals or vapors in this appliance. This type of appliance is not designed for industrial or laboratory use.
- As with any appliance, close supervision is necessary when used by children.
- Do not operate this appliance if it has a damaged electrical cord, plug, conduit or wires, if it is not working properly, or if it has been damaged or dropped.
- This appliance should be serviced only by qualified service personnel.
- Some products, such as whole eggs, and sealed containers, such as closed glass jars, may explode and should not be heated on this cooktop.

# 4 Safety

---

## **WARNING**

---

- Based on safety considerations, the top burner flame should be adjusted so it does not extend beyond the edge of the cooking utensil.
- If the information in this manual is not followed exactly, a fire or explosion may result causing property damage, personal injury, or death.
- What to do if you smell gas:
  - Do not try to light any appliance.
  - Do not touch any electrical switch, do not use any phone in your building.
  - Immediately call the gas supplier from a neighbor's phone.
  - Follow the gas supplier's instructions.
  - If you cannot reach your gas supplier, call the fire department.
- Installation of this appliance must be performed by a qualified installer, service agency or the gas supplier.

## READ AND SAVE THESE INSTRUCTIONS

---

### NOTE

**Installer:** Leave instructions with owner.

**Owner:** Read your Range Use & Care Manual. It contains important safety information for operating this appliance. It also has many suggestions for getting the best results from your Range.

Attach your sales receipt to this page for future reference.

Read all instructions before installing the Range.

For your safety, please read and observe all safety instructions. This guide will help you anticipate all installation connections.

## QUESTIONS?

---

For toll-free telephone support in the U.S. and Canada:  
**1-877- 4ELECTROLUX (1-877-435-3287)**

For online support and Internet product information:  
**[www.electroluxusa.com](http://www.electroluxusa.com)**

# 6 Finding Information

---

## TABLE OF CONTENTS

---

<b>Safety</b> .....	2
Definitions .....	2
Important Safety Instructions .....	2
Safety Precautions .....	3
<b>Finding Information</b> .....	5
Please Read And Save This Guide .....	5
Questions? .....	5
Table Of Contents .....	6
<b>Preparing for Installation</b> .....	7
Verifying Package Contents .....	7
Gas Supply Requirements .....	7
Gas and Electric Requirements Table .....	7
Electrical Power Supply Requirements .....	8
Gas and Electrical Rough-In .....	9
Cabinet/Counterop Preparation .....	10
Overall Dimensions .....	12
Installing the Anti-Tip Bracket .....	13
Gas Regulator and Electrical Conduit Location .....	16
<b>Installation</b> .....	17
Installing the Range Backguards .....	17
Removing the Door(s) .....	18
Reinstalling the Door(s) .....	18
Making the Electrical Connection .....	19
Making the Gas Connection .....	22
Installing the Range .....	23
Installing the Burner Components .....	23
<b>Operation</b> .....	24
Verifying the Operation .....	24

---

## VERIFY PACKAGE CONTENTS

- Use & Care Manual
- Broiler Pan/Insert
- Anti-tip Bracket
- Grate Pack
- Griddle
- LP Conversion Kit
- Burner Rings
- Wok Ring
- Simmerplate
- Stainless Steel Cleaner
- Roasting Rack
- Burner Cap Pack

## GAS SUPPLY REQUIREMENTS

Check your local building codes for the proper method of installation. In the absence of local codes, this appliance should be installed in accordance with the National Fuel Gas Code ANSI Z223.1. Be certain that the appliance being installed is correct for the gas service being provided. Refer to the rating label located on the kick panel and/or the table below for gas supply requirements.

## GAS AND ELECTRIC REQUIREMENTS TABLE

Refer to the following table for more information on gas and electric requirements.

### NOTE

This range is shipped from the factory pre-set for use with natural gas. For LP conversion see the accompanying LP Conversion Kit. The electrical information in the table is also located on the serial number label on the range. It can be found by opening the oven door and looking through the inlet air cooling grill.

Model No.	Electrical circuit required	Total connected load	Gas type	Manifold pressure	Minimum gas supply pressure
E30DF74EPS	240-4 Wire VAC, 60Hz, 30A	26.4 Amps (6.3 Kw)	Natural	4" Water Column	5" Water Column
			Liquid Propane	10" Water Column	11" Water Column
E36DF76EPS	240-4 Wire VAC, 60Hz, 30A	26.4 Amps (6.3 Kw)	Natural	4" Water Column	5" Water Column
			Liquid Propane	10" Water Column	11" Water Column
E48DF76EPS	240-4 Wire VAC, 60Hz, 50A	44.2 Amps (10.4 Kw)	Natural	4" Water Column	5" Water Column
			Liquid Propane	10" Water Column	11" Water Column

# 8 Preparing for Installation

## ELECTRICAL POWER SUPPLY REQUIREMENTS

It is the owner's responsibility to ensure that the electrical connection of this appliance is performed by a qualified electrician. The electrical installation, including minimum supply wire size and grounding, must be in accordance with the National Electric code ANSI/NFPA 70- 1993\* (or latest revision) and local codes and ordinances.

\*A copy of this standard may be obtained from:

National Fire Protection Association  
1 Batterymarch Park  
Quincy, Massachusetts 02269-9101

The correct voltage, frequency, and amperage must be supplied to the appliance from a separate, grounded, circuit that is protected by a properly sized circuit breaker or time delay fuse.

Refer to the Gas and Electrical Requirements Table on page 7.

### **WARNING**

If the gas or electric service provided does not meet the product specifications, do not proceed with the installation. Call the selling dealer, the gas supplier, or a licensed electrician.

### **NOTES**

The power supply must be properly polarized. Reverse polarity will result in continuous sparking of the electrodes, even after flame ignition.

If there is any doubt as to whether the power supply is properly polarized or grounded, have it checked by a qualified electrician.

## GAS AND ELECTRICAL ROUGH-IN

### Locations

#### **NOTE**

The shaded areas shown in the illustrations, denote the location of the gas stub and the electrical junction box/receptacle. These are suggested locations. For replacement purposes, the location of the existing utilities may be utilized provided that they do not interfere with the sides or rear of the range. If installing the gas valve behind the range, verify that local building codes will permit this.

A manual shut valve must be installed in the gas piping, external to the appliance, for the purpose of turning on or shutting off gas to the appliance. Plan the location of the range and the gas supply to allow access to the valve when the unit is installed. Access to the remote circuit breaker panel/fuse box, with the range in place, must also be allowed for in the installation. Any openings in the wall behind the appliance and in the floor under the appliance must be sealed.

Both the gas supply piping and shut-off valve, and the electrical junction box/receptacle must be located so they do not interfere with the range when it is installed. In addition, the junction box must be located so the range can be removed for service when the conduit supplied with the unit is attached to the junction box. Do not lengthen the conduit or wiring provided with the range.

All dimensions shown are based on standard American cabinets 36 inches (914mm) high at the finished countertop by 24 inches (610mm) deep, with a 25 inch (635mm) overall countertop depth. When installing the range into nonstandard cabinets, minimum clearances shown in the diagrams on page 11 must be maintained.

Carefully check the location where the range is to be installed. For best performance, the range should be placed away from drafts that may be caused by doors, windows and HVAC outlets.

# 10 Preparing for Installation

---

## CABINET AND COUNTERTOP PREPARATION

---

### NOTES

- If cabinet storage space is to be provided directly above the range, the risk of personal injury may be reduced by installing a ventilating hood that projects horizontally a minimum of 5 inches beyond the face of the cabinets.
- The range may be installed flush to the rear wall. We recommend installing a non-combustible material on the rear wall above the range and up to the vent hood. It is not necessary to install non-combustible materials behind the range below the countertop height.
- The minimum distance from the sides of the range above the countertop to combustible side walls must be at least 10 inches.
- The E36DF76EPS and E48DF76EPS ranges are delivered with a 3" backguard from the factory. 9" and 24" backguards are available as options. The E30DF74EPS range is delivered with a 6" backguard from the factory. 9" and 12" backguards are available as options.
- Utilities may be located: In the lower left corner of the adjacent right cabinet. (Recommended)

### IMPORTANT

- Contact your local building department to verify compliance with local code interpretation.
-

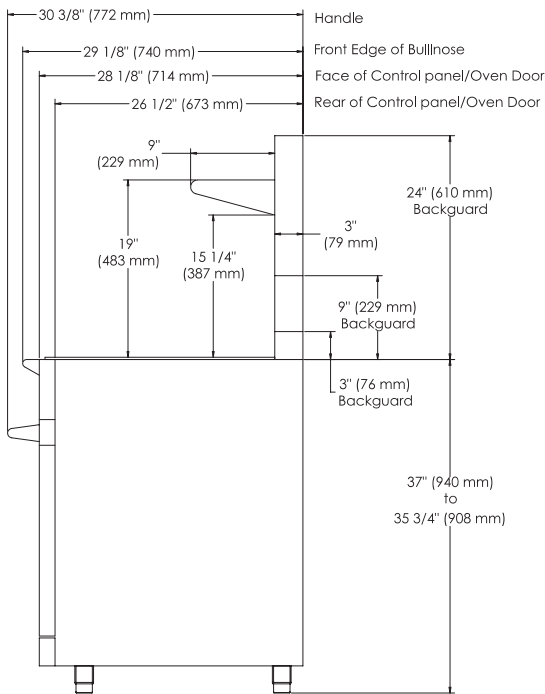


# 12 Preparing for Installation

## OVERALL DIMENSIONS

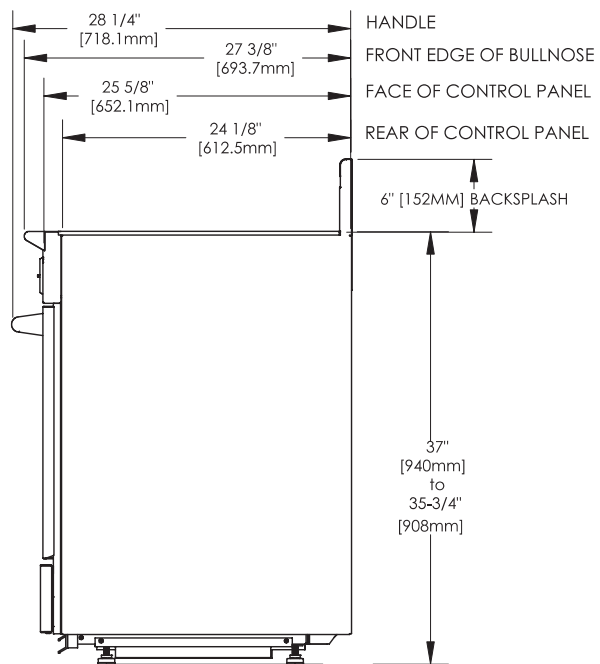
E36DF76EPS and E48DF76EPS Overall Dimensions  
Side View

Figure 2



E30DF74EPS Overall Dimensions  
Side View

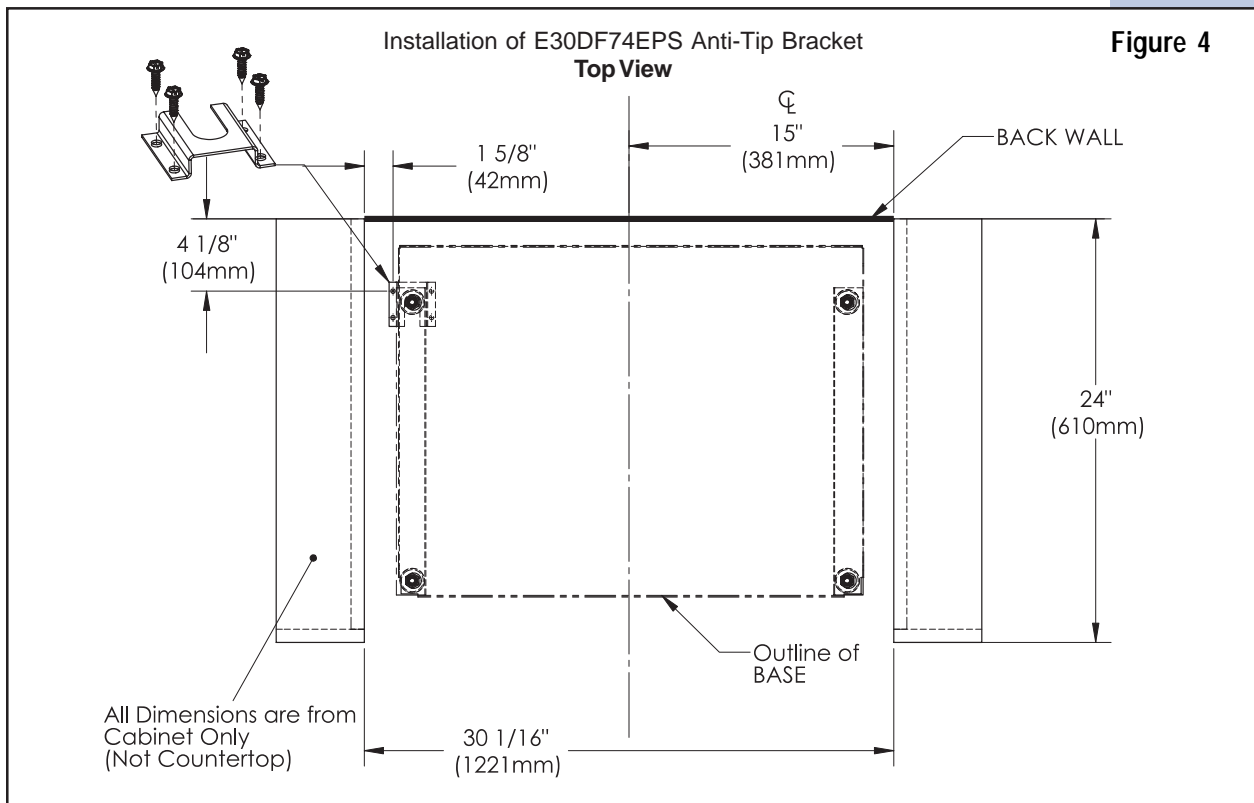
Figure 3



## INSTALLING THE ANTI-TIP BRACKET (FOR 30", 36" & 48" MODELS)

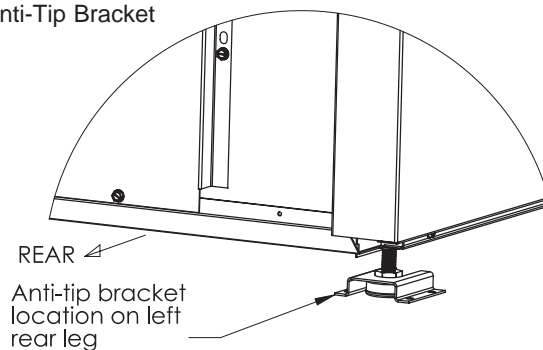
### **WARNING**

The 30", 36" and 48" ranges require an anti-tip device. Before installing the range, you must locate and secure the anti-tip bracket to the floor.



Location of the E30DF74EPS Anti-Tip Bracket

Figure 5



# 14 Preparing for Installation

## INSTALLING THE ANTI-TIP BRACKET (FOR 30", 36" & 48" MODELS)

### **WARNING**

The 30", 36" and 48" ranges require an anti-tip device. Before installing the range, you must locate and secure the anti-tip bracket to the floor.

Installation of E36DF76EPS Anti-Tip Bracket  
Top View

Figure 6

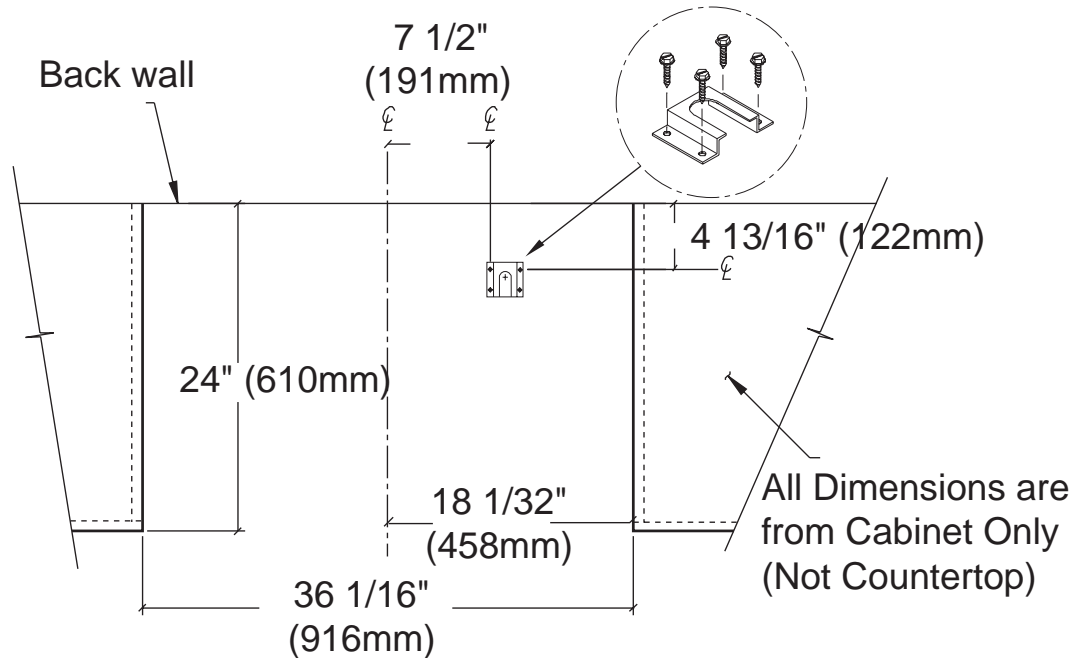
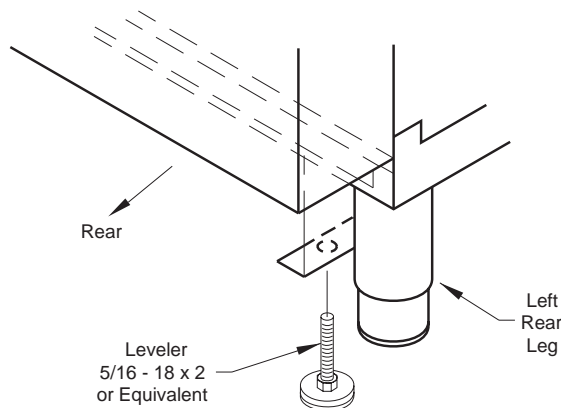


Figure 7

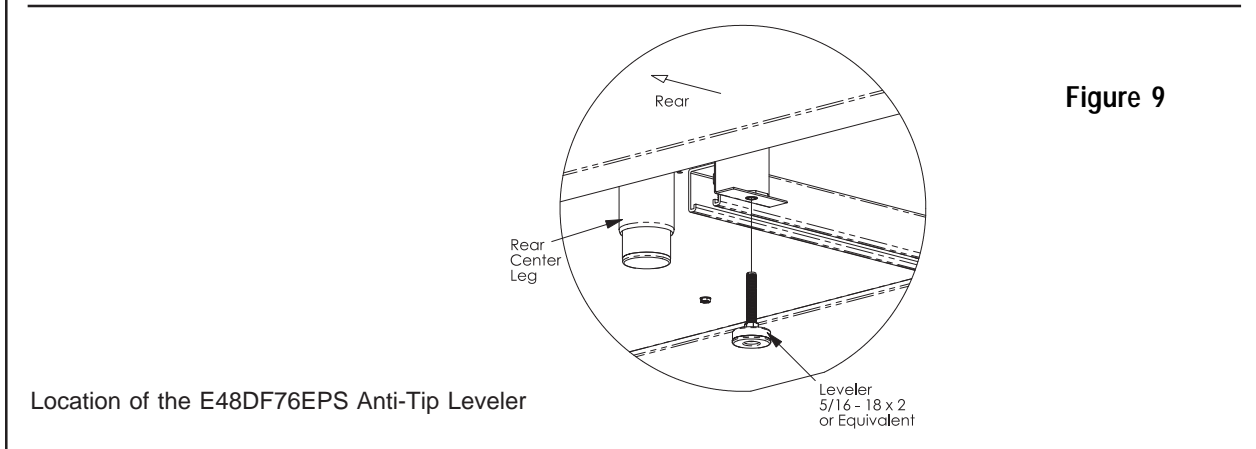
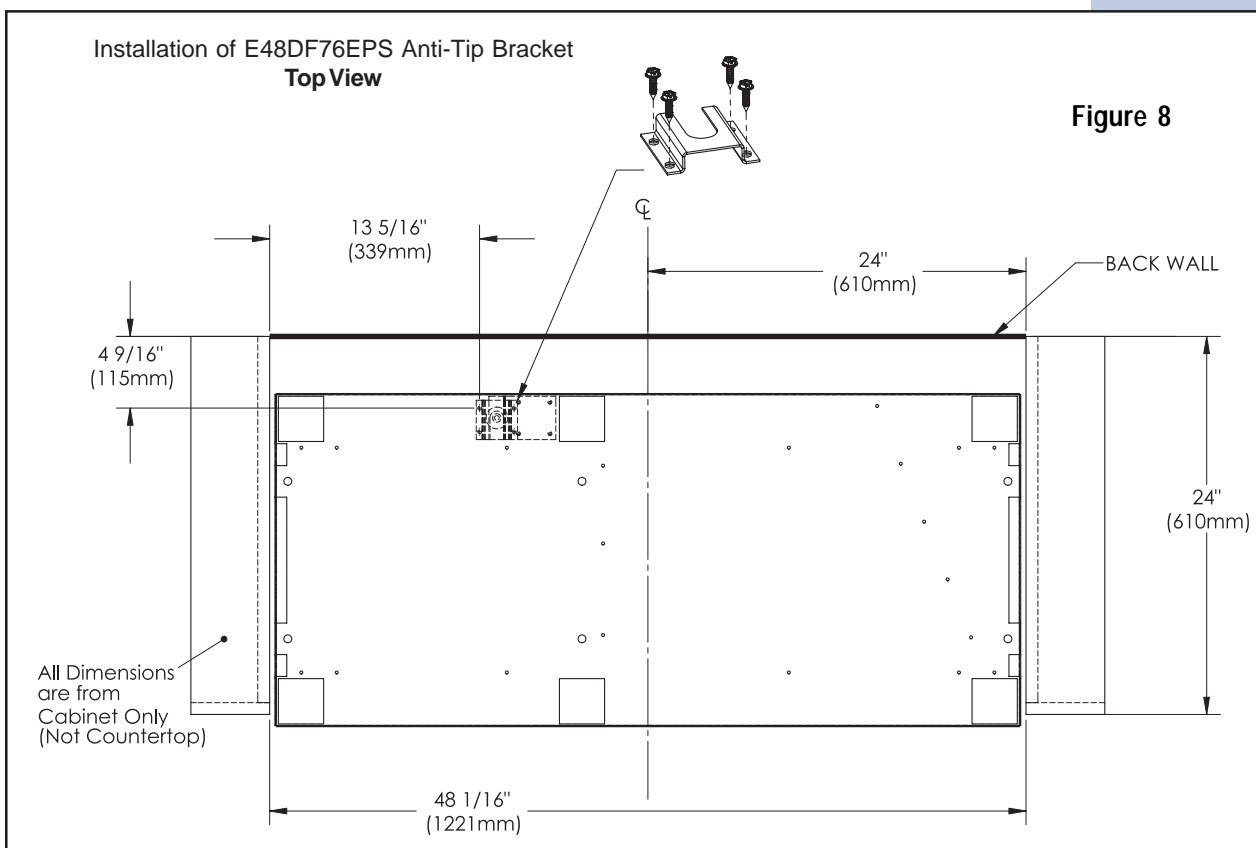


Location of the E36DF76EPS Anti-Tip Leveler

## INSTALLING THE ANTI-TIP BRACKET (FOR 30", 36" & 48" MODELS)

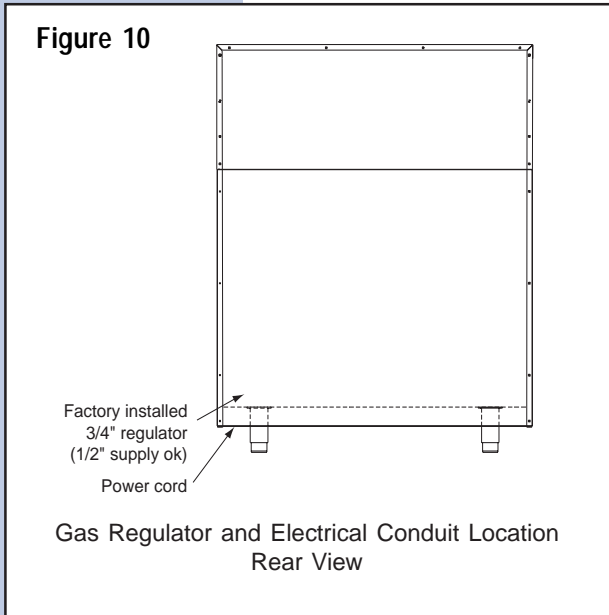
### **WARNING**

The 30", 36" and 48" ranges require an anti-tip device. Before installing the range, you must locate and secure the anti-tip bracket to the floor.



# 16 Preparing for Installation

## GAS REGULATOR AND ELECTRICAL CONDUIT LOCATION



## INSTALLING THE 30", 36" & 48" RANGE OPTIONAL BACKGUARDS

Your Electrolux Icon™ range was shipped with a backguard in place. These instructions cover the installation of one of the optional backguards.

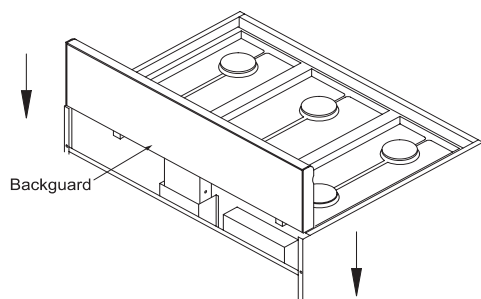
### **WARNING**

Be sure that the range is not connected to gas or power before proceeding.

#### Installing the Range Optional Backguard:

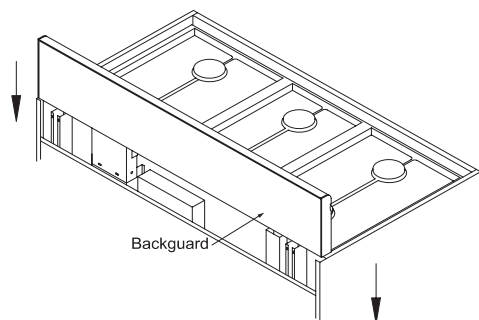
1. Remove the backguard from its box.
2. To avoid scratches, place small scraps of thin cardboard on the rear of the side panels where the backguard will make contact. With the assistance of at least one other person, carefully lift the backguard and place down on to the range top. Special attention should be given to the lower flange in front of the backguard, which must fit between the stainless steel side panels.
3. Fasten the provided screws through the rear flange.
4. Connect the gas line to the regulator. Reposition and attach the access panel or the back cover if the entire back cover was removed.
5. You are now ready to continue with the range installation.

Figure 11



Backguard Installation  
(36" range shown)

Figure 12



Backguard Installation  
(48" range shown)

### **NOTE**

For 24" Backguards, fasten the provided screws through the holes in the back panel of the Backguard.

# 18 Installation

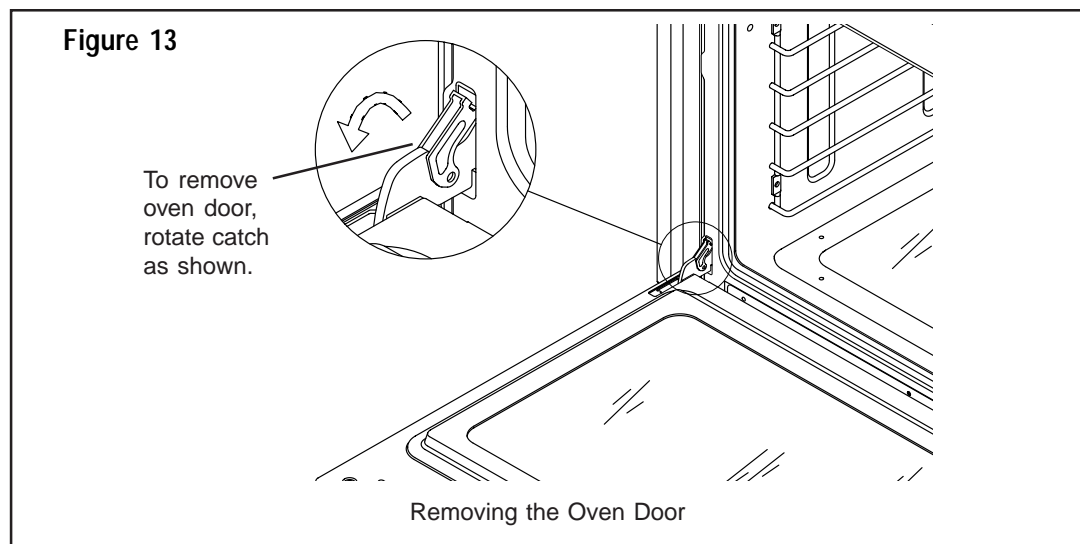
## REMOVING THE OVEN DOOR(S)

### **WARNING**

Do not attempt to disengage the hinge catches with the door removed from the oven. The hinge springs could release causing personal injury.

Do not lift or carry the oven door by the door handle.

Open the door to its fully opened position. Rotate the catch over the retaining arm on each hinge. Lift the oven door to about a 30 degree angle from the horizontal position. Pull the door away from the oven while continuing to lift.



## RE-INSTALLING THE OVEN DOOR(S)

Grasp the oven door on opposite sides and lift it until the door hinges are aligned with the openings in the oven frame. Holding the door at about a 30° angle from the horizontal, slide the hinges into the openings until the bottom hinge arms drop fully into the hinge receptacles. Lower the door to the fully opened position, and then rotate the two hinge catches toward the oven.

Open and close the door completely to ensure that it is properly installed.

Peel off the protective layer of plastic that covers the door panel.

## MAKING THE ELECTRICAL CONNECTION

### WARNING

- Models E30DF74EPS, E36DF76EPS and E48DF76EPS must be connected to a grounded, metallic, permanent wiring system. Alternatively, a grounding conductor should be connected to the grounding terminal or lead on the appliance. Failure to do so may result in an electric shock hazard.
- Do not use an extension cord with this appliance. Such use may result in fire, electrical shock, or other personal injury.
- Do not install a fuse in the neutral or ground circuit. A fuse in the neutral or ground circuit may result in an electrical shock hazard.

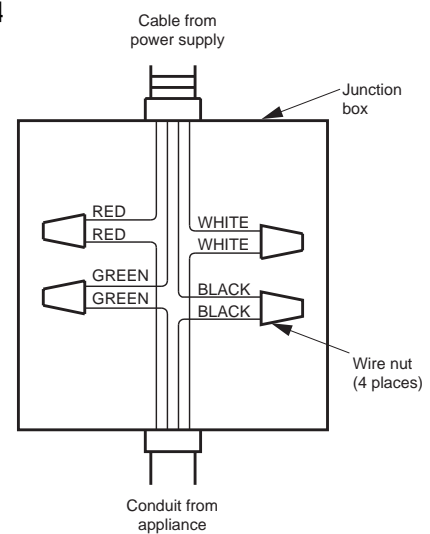
### Grounding Instructions

**This appliance must be electrically grounded.** With the range positioned directly in front of the cabinet cutout, feed the appliance conduit to the electrical junction box. Then, depending upon local codes, utilize one of the following techniques to connect the appliance to the electrical power supply:

#### Connecting to a Four-Wire Electrical System

1. Separate the green and white appliance wires.
2. Connect the white appliance wire to the neutral (white) supply wire in the junction box.
3. Connect the black appliance wire to the black (L1) power supply wire in the junction box.
4. Connect the red appliance wire to the red (L2) power supply wire in the junction box.
5. Connect the green appliance wire to the green house grounding wire in the junction box.

Figure 14



Connecting the appliance to a four-wire power supply

# 20 Installation

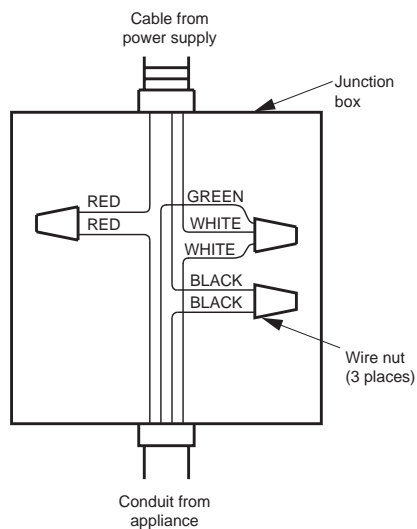
## **WARNING**

Do not connect the green appliance wire to the neutral (white) supply wire unless local building codes permit.

### Connecting the Green Appliance Wire to the Neutral (White) Supply Wire – Where Local Codes Permit

- 1 Connect the green and white appliance wires to the neutral (white) supply wire in the junction box.
- 2 Connect the black appliance wire to the black (L1) power supply wire in the junction box.
- 3 Connect the red appliance wire to the red (L2) power supply wire in the junction box.

Figure 15



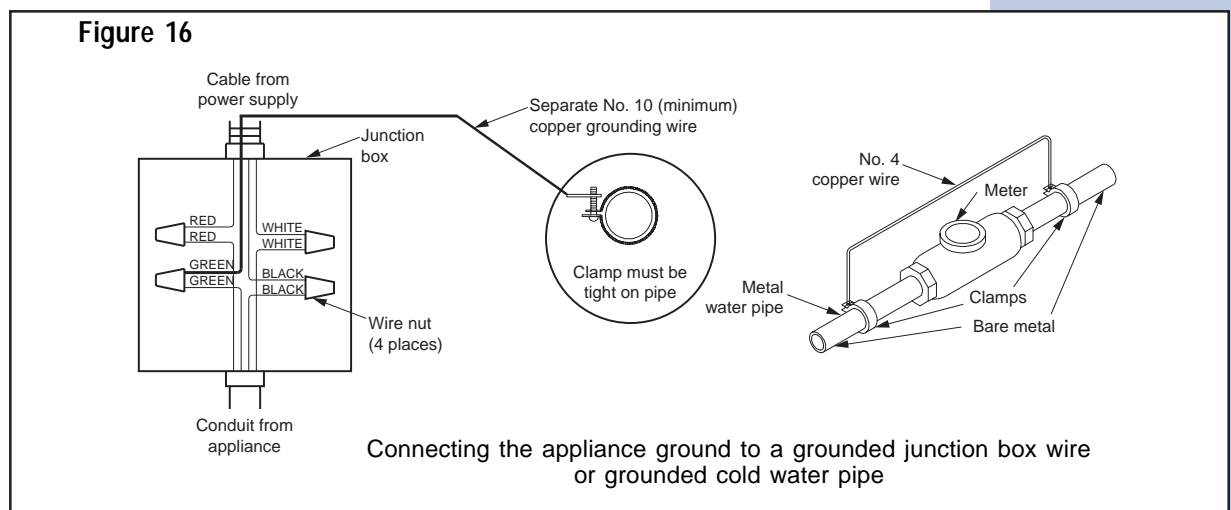
Connecting the appliance to a three-wire power supply

## Connecting the Green Appliance Wire to a Grounded Supply Wire or a Grounded Cold Water Pipe – Where Local Codes Permit.

- 1 Separate the green and white appliance wires.
- 2 Connect the white appliance wire to the neutral (white) supply wire in the junction box.
- 3 Connect the black appliance wire to the black (L1) power supply wire in the junction box.
- 4 Connect the red appliance wire to the red (L2) power supply wire in the junction box.
- 5 Connect the green appliance wire to a grounded supply wire in the junction box or to a grounded cold water pipe.
- 6 If connecting to a grounded cold water pipe, a separate copper grounding wire (No. 10 minimum) must be connected to a grounded cold water pipe by means of a clamp and then to an external grounding connector screw.

### WARNING

- Do not ground the appliance to a gas supply pipe or hot water pipe.
- Do not turn on power to the appliance until the range is permanently grounded.
- A grounded cold water pipe must have metal continuity to electrical ground and must not be interrupted by insulating materials. Any insulating materials must be jumped with a length of No. 4 copper wire securely clamped to bare metal at both ends.



# 22 Installation

## MAKING THE GAS CONNECTION

Before sliding the range into the cabinet, connect a flexible gas connector to the gas shut-off valve previously installed on the stub out. The gas valve must be turned off during installation. Connect the flex connector to the pipe fitting at the right rear of the range.

### **WARNING**

- Do not apply excessive pressure when tightening gas connections and fittings.
- Do not use teflon tape or plumber's putty on gas flex line connections.
- Turn all cooktop control valves to the "OFF" position. Turn on gas supply and check all lines and connections for leaks using a soap and water solution. Do not use a flame to check for leaks. After verifying that there are no gas leaks, turn off the gas supply to the range by turning the gas shut-off valve to the "OFF" position.
- For LP installations, the LP gas tank must have its own high pressure regulator. This is in addition to the pressure regulator provided with the range.
- The maximum gas supply pressure to the regulator must never exceed 1/2 pound per square inch.

### **NOTE**

The gas pressure regulator is pre-set at the factory for natural gas to use with the appliance. To convert the range for LP gas, see the instructions supplied in the LP conversion package.

## INSTALLING THE RANGE

Measure from the floor to the countertop and adjust the leveling legs as required to position the top frame at the desired height, based on the cabinet and countertop installation. Carefully slide the range into position in the cutout. The rear anti-tip leg should engage the anti-tip bracket.

## INSTALLING THE BURNER COMPONENTS

Remove the brass burner rings, porcelain burner caps, and porcelain grates from their shipping packages. Place each burner ring onto its corresponding burner base, being certain that the four alignment tabs slide into the matching notches in the base. Set each porcelain burner cap on top of its corresponding burner ring. Place each grate onto the top frame, being certain that the rubber feet are positioned in the locating dimples.

### **WARNING**

Never attempt to operate the cooktop section of the range with any of the burner rings, burner caps or grates removed.

### **NOTE**

Prior to operating the cooktop or oven sections of the range, please read the accompanying Use and Care Manual carefully. Important safety, service and warranty information is contained within this manual.

# 24 Operation

## VERIFYING THE OPERATION

### NOTE

REFER TO THE USE AND CARE MANUAL FOR DETAILED INSTRUCTIONS.

Before beginning the test procedure, ensure that all cooktop control valves are in the “OFF” position, and all burner rings, burner caps, and grates are properly positioned on the top frame. Turn on the gas supply at the shut-off valve.

Turn on the power supply to the range. Select a temperature of 350°F by rotating the temperature control knob to “350” and selecting “BAKE” with the oven selector knob. Rotate each knob to the “Off” position to stop the heating process. For model E48DF76EPS, repeat this test procedure with the companion oven. Test each top burner separately by pressing and turning one control knob at a time counterclockwise to the “HIGH” position. All ignitors will spark continuously, but only the burner with gas flowing to it will ignite. (It will take approximately 4 seconds for ignition to occur, at which time the ignitors will stop sparking. If ignition does not occur within 4 seconds, turn off the knob, wait for at least 2 minutes to allow any gas to dissipate, then repeat this ignition test.) The control knob can then be rotated counterclockwise from “HIGH” to “LOW” to adjust the flame height progressively. Repeat the ignition test for all burners. When installed properly, the flame will be steady and quiet. It will also have a sharp, blue inner cone that will vary in length proportional to the burner size.

### WARNING

- The range and shut-off valve must be disconnected from the gas supply piping during any pressure testing exceeding 1/2 psi (3.5kPa).
- The range must be isolated from the gas supply piping by closing the shut-off valve during any pressure testing at or below 1/2 psi (3.5 kPa).

### NOTES

If either the oven or cooktop does not operate properly, follow these troubleshooting steps:

- Verify that power and gas are supplied to the range.
- Check the electrical connections and gas supply to ensure that the installation has been completed correctly.
- If the appliance still does not work, contact an authorized service company. Do not attempt to repair the appliance yourself. Electrolux is not responsible for service required to correct a faulty installation.

# Liquid Petroleum Gas (LPG) Conversion Kit Instructions

Freestanding Range Models:  
E30DF74EPS, E36DF76EPS, E48DF76EPS



Model E30DF74EPS shown



**WARNING:** This conversion kit shall be installed by a qualified service agency in accordance with the manufacturer's instructions and all applicable codes and requirements of the authority having jurisdiction. If the information in these instructions is not followed exactly, a fire, explosion, or production of carbon monoxide may result causing property damage, personal injury, or loss of life. The qualified service agency is responsible for the proper installation of this kit. The installation is not proper and complete until the operation of the converted appliance is checked as specified in the manufacturer's instructions supplied with the kit.



## CAUTION:

- ▶ Before proceeding with the conversion, shut off the gas supply to the appliance prior to disconnecting the electrical power.
- ▶ Do not reconnect electrical power until all leak tests have been performed.
- ▶ Only a qualified service technician should convert or service this appliance.
- ▶ Be sure the unit is unplugged and cool before proceeding with the conversion.



## IMPORTANT:

- ▶ Read and save these instructions for future use and for use by the building inspector.
- ▶ The range will not operate properly unless the correct sized orifices and air shutters are installed for each burner and valve and the air shutters for each burner are properly adjusted.
- ▶ The range will not operate properly unless the regulator is converted according to these instructions.
- ▶ After installing the LPG orifices, be sure to keep the original factory installed orifices for future conversion back to natural gas. See page 12 for instructions on how to convert this appliance to nature gas from LPG.

**STEP 1 Prepare Required Tools**

- ◆ 1/8" flat blade screwdriver
- ◆ Needle-nose pliers
- ◆ 10 mm open end wrench
- ◆ 6" and 8" long adjustable wrenches
- ◆ 6" (or 150 mm) pocket rule
- ◆ Thread-locker (Loctite 242 or equivalent)
- ◆ Burner ring removal tool (provided with conversion kit)
- ◆ U-tube manometer (calibrated)
- ◆ Leak detector: Gas or bubble forming fluid

**STEP 2 Identify Model**

**2-1** Identify the model number from Table 2-1. How the oven is equipped determines the model number.

**2-2** Use the model number to identify the correct orifice sizes, shutter part number, and shutter gap settings throughout the rest of this procedure.

Model Number	Number of Burners	Oven Type
E30DF74EPS	4	Single
E36DF76EPS	6	Single
E48DF76EPS	6	Double

**Table 2-1 Model Identification**



**E48DF76EPS  
(48-Inch)**



**E36DF76EPS  
36-Inch**



**E30DF76EPS  
30-Inch**

Note: Styling and size of backsplash may vary.

**Figure 2-1 Model Identification**

**LPG Kit Parts Lists****LPG Conversion Kit for Models E36DF76EPS and E48DF76EPS (36 and 48-Inch)**

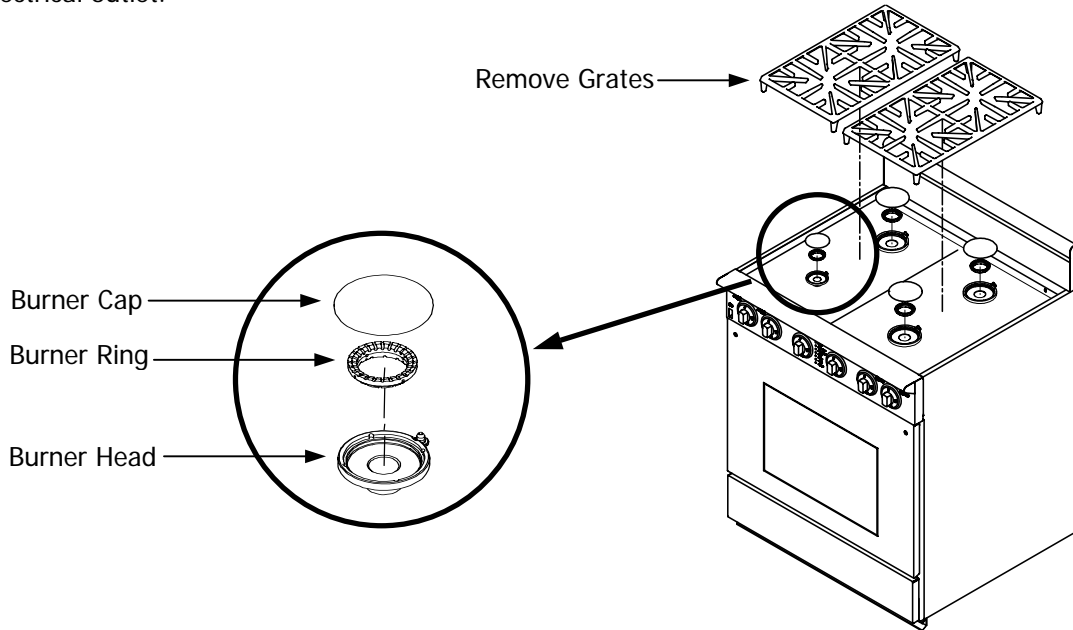
<b>Kit Part Number: 700147-1</b>		
<b>Part Number</b>	<b>Description</b>	<b>Quantity</b>
65481	BAG, PLASTIC	1
65480	LABEL, CONVERSION INFORMATION	2
86007	TOOL, REMOVAL, BUNRER RING	1
65558	INSTALLATION INSTRCTIONS, LPG CONVERSION KIT	1
76125*	O-RING, BYPASS	6
92125-48	ORIFICE, BYPASS, .0048MM	2
92125-61	ORIFICE, BYPASS, .0061MM	4
72427-86	ORIFICE, MAIN, .0086MM	2
72427-112	ORIFICE, MAIN, .0112MM	2
72427-118	ORIFICE, MAIN, .0118MM	2
* Provided assembled to the bypass orifices		

**LPG Conversion Kit for Model E30DF74EPS (30-Inch)**

<b>Kit Part Number: 700147-2</b>		
<b>Part Number</b>	<b>Description</b>	<b>Quantity</b>
65481	BAG, PLASTIC	1
65480	LABEL, CONVERSION INFORMATION	2
86007	TOOL, REMOVAL, BUNRER RING	1
65558	INSTALLATION INSTRCTIONS, LPG CONVERSION KIT	1
76125*	O-RING, BYPASS	4
92125-48	ORIFICE, BYPASS, .0048MM	1
92125-61	ORIFICE, BYPASS, .0061MM	3
72427-84	ORIFICE, MAIN, .0084MM	1
72427-111	ORIFICE, MAIN, .0111MM	2
72427-118	ORIFICE, MAIN, .0118MM	1
* Provided assembled to the bypass orifices		

**STEP 3 Prepare Range for Conversion**

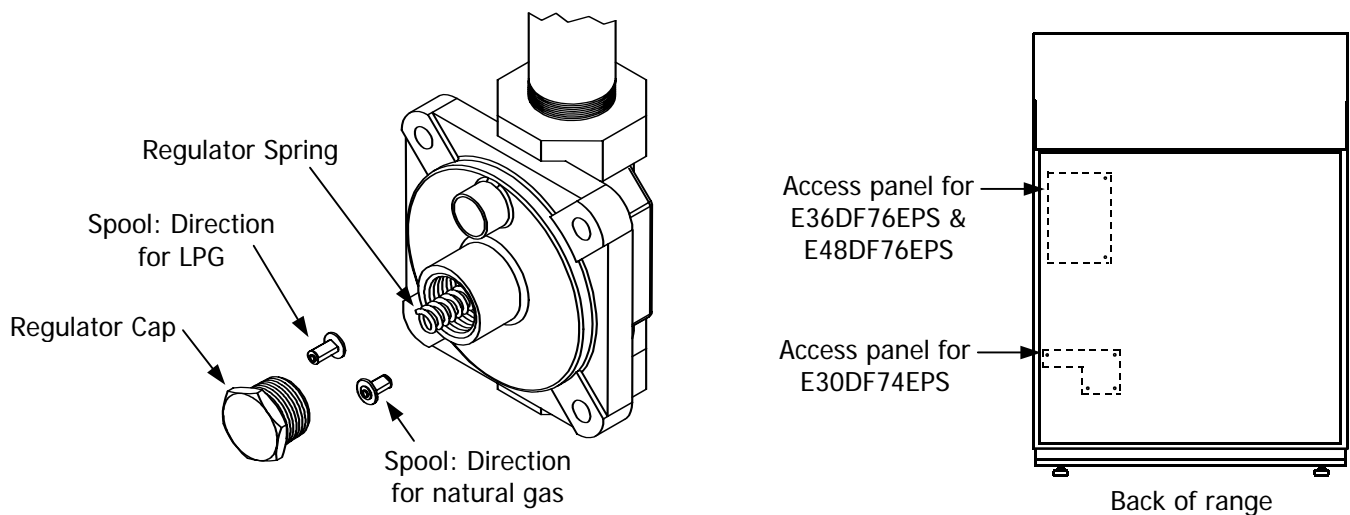
- 3-1** Move the range out from the wall, if necessary.
- 3-2** If the range is connected to a natural gas supply line, close the gas supply valve.
- 3-3** Disconnect the range power connector from the electrical outlet.
- 3-4** Remove the grates from the cooktop.
- 3-5** Remove all of the burner caps and burner rings from top of the burner heads.



**Figure 3-1 Grate, Burner Cap and Burner Ring Removal**

**STEP 4 Convert Regulator to LPG**

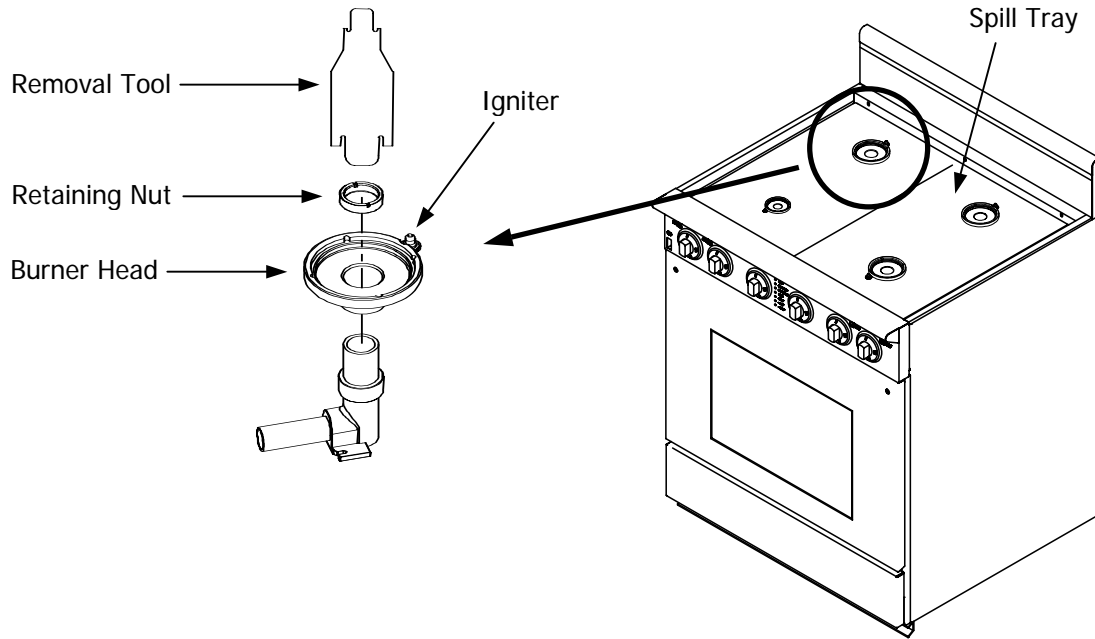
- 4-1** Locate and remove the regulator access panel on the back of the range.
- 4-2** Locate the regulator and remove the regulator cap. Make sure that the regulator spring remains in place.
- 4-3** Remove the spool from the cap and insert the opposite side. The large end of the spool must insert into the regulator first for LPG operation.
- 4-4** Replace the cap. The access panel will be re-installed later.



**Figure 4-1 Regulator Conversion**

**STEP 5 Disassemble Cooktop**

- 5-1 Insert the large end of the burner ring removal tool into the top of the left rear burner head. Unscrew and remove the nut.
- 5-2 Remove the burner head. Slip the igniter wire off of the burner as you remove it.
- 5-3 Repeat steps 5-1 and 5-2 for the remaining burners.
- 5-4 Lift out the spill tray.



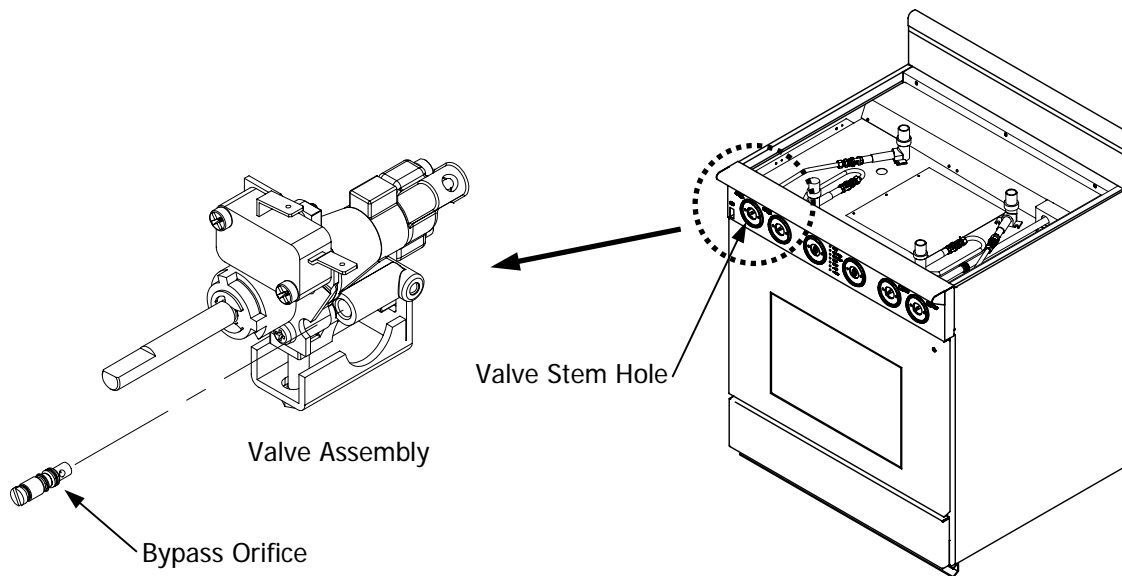
**Figure 5-1 Burner Head Removal**

**STEP 6 Replace Bypass Orifices**

- 6-1** Make sure all knobs are in the off position.
- 6-2** Remove all of the burner knobs from the front of the range.
- 6-3** Insert the 1/8" screwdriver into the valve stem hole for the left rear burner. Unscrew the bypass orifice from the right side of the valve assembly.
- 6-4** Identify the appropriate bypass orifice from Table 6-1. Match both the model number and the burner location. The bypass orifice size is stamped on its head.
- 6-5** Insert the bypass orifice and the attached o-ring into the right side of the valve with the needle nose pliers. Tighten into place with the 1/8" screwdriver.
- 6-6** Repeat steps 6-1 through 6-5 for the remaining burner valves.
- 6-7** Replace the knobs.

Burner Location	E30DF74EPS (30-Inch)	E36DF76EPS (36-Inch)	E48DF76EPS (48-Inch)
Left Rear	61	61	61
Left Front	48	48	48
Right Rear	61	48	48
Right Front	61	61	61
Center Rear	-	61	61
Center Front	-	61	61

**Table 6-1 Bypass Orifice Sizes (x 100 mm)**



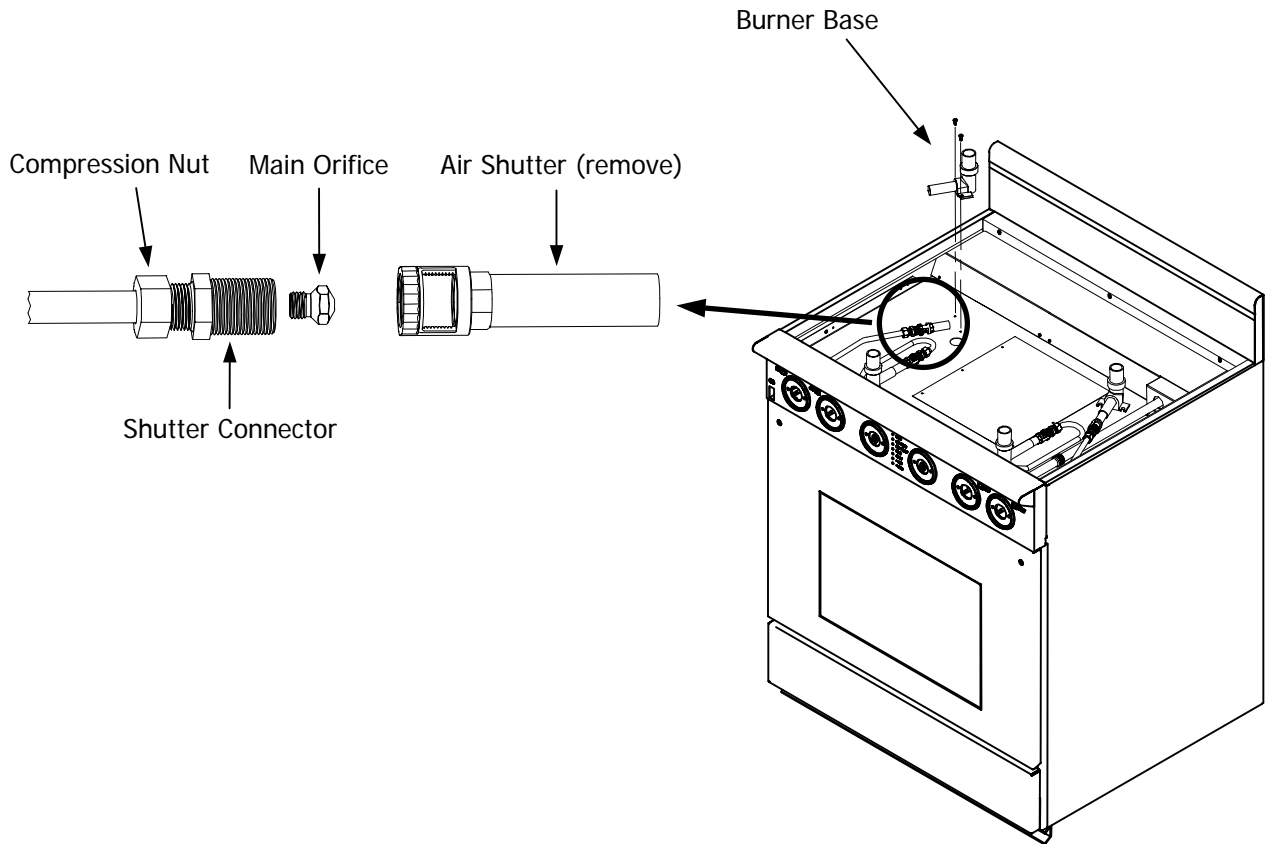
**Figure 6-1 Bypass Orifice Conversion**

**STEP 7 Replace Main Orifices**

- 7-1** Remove the two screws that hold the left rear burner base to the stove chassis.
- 7-2** Hold the shutter connector with the 8" adjustable wrench. Remove the air shutter using the 6" adjustable wrench.
- 7-3** Hold the shutter connector with the 8" adjustable wrench. Remove the main orifice from the shutter connector using the 10 mm open-end wrench.
- 7-4** Replace the main orifice with the appropriate size from Table 7-1. Match both the model number and the burner location. The main orifice size is stamped on its side. The shutter and the burner base will be re-assembled after pressure testing.
- 7-5** Check to make sure that the compression nut is tightened into the back of the shutter connector.
- 7-6** Repeat steps 7-1 through 7-5 for the remaining burners.

Burner Location	E30DF74EPS (30-Inch)	E36DF76EPS (36-Inch)	E48DF76EPS (48-Inch)
Left Rear	84	112	112
Left Front	111	86	86
Right Rear	111	86	86
Right Front	118	112	112
Center Rear	-	118	118
Center Front	-	118	118

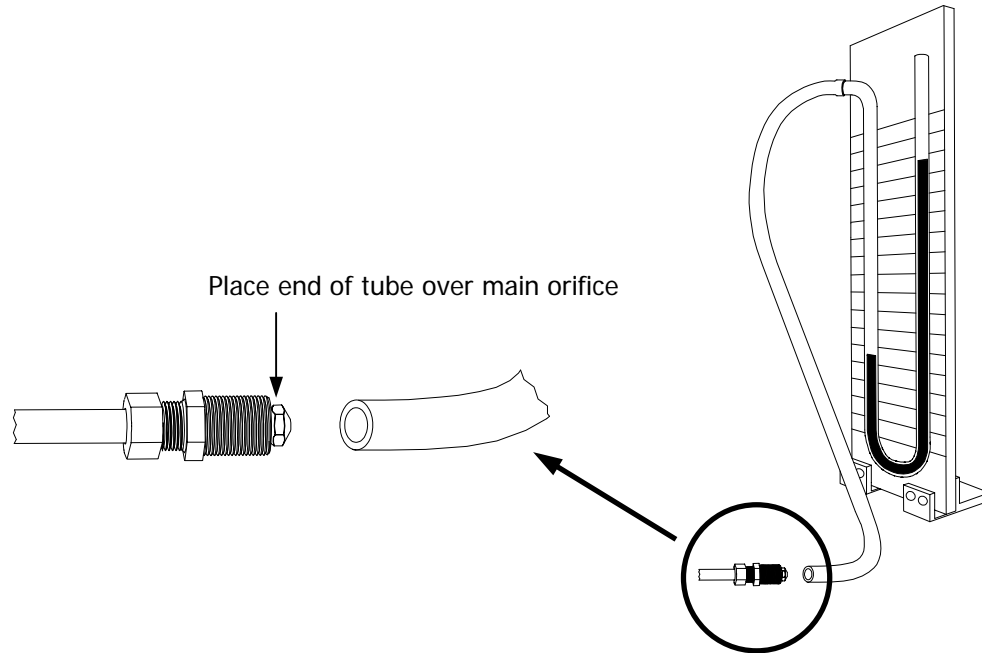
**Table 7-1 Main Orifice Sizes (X 100 mm)**



**Figure 7-1 Main Orifice Conversion**

**STEP 8 Perform Pressure Tests**

- 8-1** Connect the U-tube manometer to the LPG supply line.
- 8-2** With electrical power to the range disconnected, open the LPG supply valve.
- 8-3** Verify that the pressure is above 11 inches water column (WC) and below ½ PSI. Consult the factory if the pressure is not within the above limits.
- 8-4** Close the LPG supply valve. Connect the range to the LPG supply line.
- 8-5** Make sure all knobs on the front of the range are in the off position.
- 8-6** Connect the U-tube manometer to the left rear burner's main orifice with 3/8" surgical tubing.
- 8-7** Open the LPG supply valve. Turn on the left rear burner. The manometer should read 10 inches WC +/- ½ inch. Contact the factory if the pressure does not meet specifications.
- 8-8** Turn off the burner and the gas supply valve.



**Figure 8-1 Pressure Test Set-up**

**STEP 9 Adjust Air Shutter Gaps**

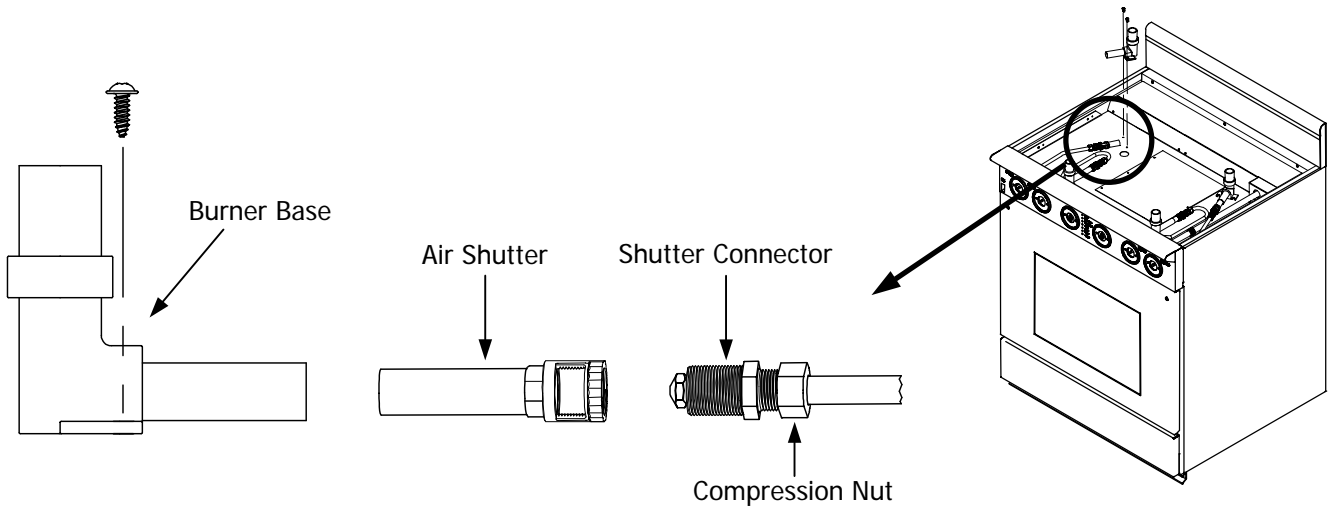
- 9-1** Determine the appropriate air shutter part number for the left rear burner from Table 9-1 on page 9. Be sure to match the model number and burner location. The shutter part number appears on its side.
- 9-2** Thread the air shutter onto the left rear shutter connector about 6 turns (see Figure 9-1).
- 9-3** Reinstall the burner base (see Figure 9-1).
- 9-4** Measure the gap between the end of the shutter connector and the opposite end of the shutter opening with the pocket rule (see Figure 9-2).
- 9-5** Compare the measured gap to the gap listed in Table 9-2 for the appropriate model number and the burner location.
- 9-6** Hold the shutter connector with the 8" adjustable wrench. Adjust the air shutter using the 6" adjustable wrench until the gap is to within 1/16" (1.6 mm) of the gap indicated in the table.
- 9-7** Secure the shutter with thread-locker.
- 9-8** Repeat steps 9-1 through 9-7 for the remaining burners.
- 9-9** Check to make sure that the compression nut is tightened into the back of each shutter connector.

Burner Location	E30DF74EPS (30-Inch)	E36DF76EPS (36-Inch)	E48DF76EPS (48-Inch)
Left Rear	HN A-0053-E	HN A-0053-E	HN A-0053-E
Left Front	HN A-0052-E	HN A-0052-E	HN A-0052-E
Right Rear	HN A-0053-E	HN A-0052-E	HN A-0052-E
Right Front	HN A-0053-E	HN A-0053-E	HN A-0053-E
Center Rear	-	HN A-0053-E	HN A-0053-E
Center Front	-	HN A-0053-E	HN A-0053-E

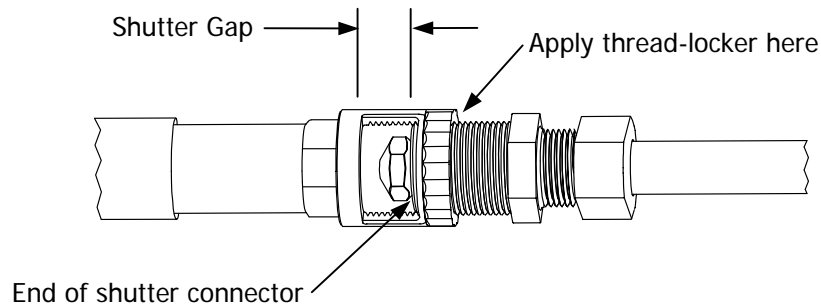
**Table 9-1 Air Shutter Part Numbers**

Burner Location	E30DF74EPS (30-Inch)	E36DF76EPS (36-Inch)	E48DF76EPS (48-Inch)
Left Rear	.36/9.2	.38/9.7	.39/9.8
Left Front	.34/8.6	.27/6.9	.12/3.1
Right Rear	.35/8.9	.29/7.4	.18/4.7
Right Front	.37/9.4	.39/9.9	.38/9.6
Center Rear	-	.40/10.0	.38/9.7
Center Front	-	.39/9.8	.40/10.1

**Table 9-2 Air Shutter Gaps Settings (in/mm)**



**Figure 9-1 Air Shutter Assembly**



**Figure 9-2 Air Shutter Reassembly and Gap Adjustment**

**STEP 10 Perform Leak Tests**

**10-1** Make sure that all knobs on the front of the range are in the off position.

**10-2** With electrical power to the range disconnected, open the LPG supply valve.

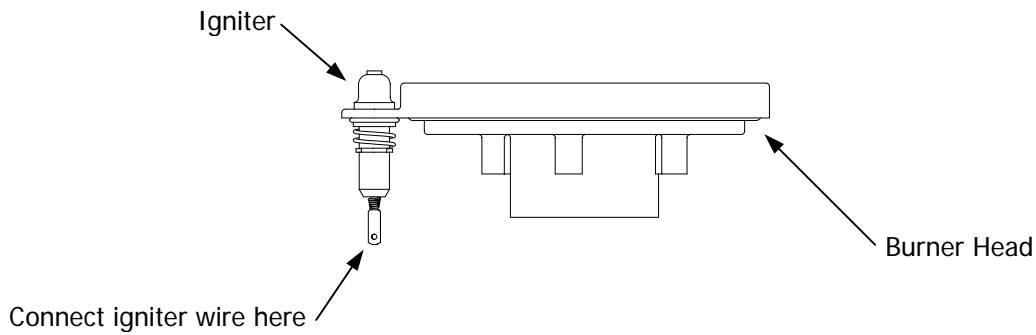
**10-3** Using a gas leak detector or bubble forming leak detection fluid, check the following for leaks:

- LPG gas supply connection
- All manifold connections
- All valve connections
- Bypass orifices

**10-4** Re-assemble the burner heads, burner head nuts, burner rings, and burner caps without the spill tray in place. Be sure the igniter wire is connected to each burner head.

**10-5** Connect the range to the electrical outlet.

**10-6** Turn each burner on **HIGH**, one at a time. Check for leaks around the valves (including the bypass orifice) and the burner lines.



**Figure 10-1 Igniter Connection**

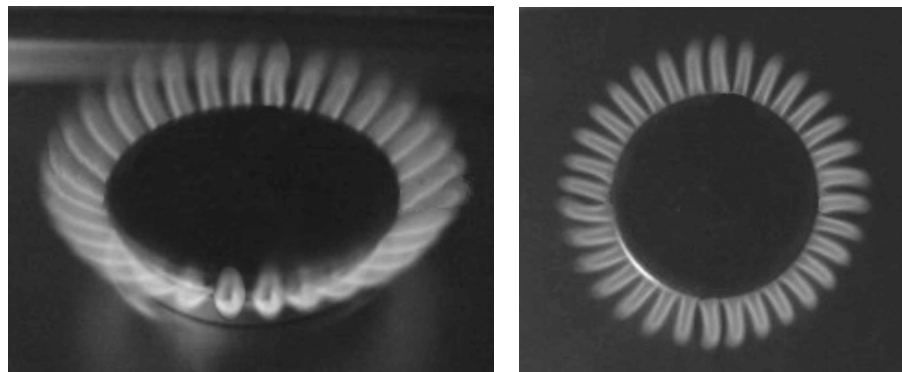
**STEP 11 Perform Flame Tests**

**11-1** Turn each burner on **HIGH** and then off again, several times. If the flame does not light repeatedly and rapidly, check for obstructions between the igniter and the burner head (see Figure 10-1).

**11-2** Make sure that the flame:

- Is stable.
- Does not waver or lift up from the burner.
- Is predominately blue in color.
- Is not predominately yellow at the tips.

If the flame does not have the correct appearance, check the shutter gap settings (see STEP 9). If adjusting the air shutters will not correct the problem, contact the factory.



**Figure 11-1 Examples of a Normal Flame**

**STEP 12 Apply labels and reassemble**

- 12-1 Wait for all the burners to cool.
- 12-2 Fill out and apply the conversion labels:
  - Apply one where it can be easily read on the floor of the chassis.
  - Apply the other next to the rating label on the back of the range.
- 12-3 Remove all of the burner heads.
- 12-4 Install the spill tray.
- 12-5 Replace the burner heads, burner head nuts, burner rings, and burner caps. Be sure the igniter wire is connected to the igniter for each burner head.
- 12-6 Install the cooktop grates.
- 12-7 Re-install the regulator access panel on the back of the range.

**CONVERSION INFORMATION**

AFFIX THIS LABEL AS CLOSE AS POSSIBLE TO THE EXISTING RATING PLATE  
FOR MODEL NO., RATINGS AND MANIFOLD PRESSURE INFORMATION: SEE ORIGINAL NAME PLATE.

GAS SUPPLY TYPE:  
NATURAL GAS   
LP

CONVERSION KIT P/N \_\_\_\_\_  
THIS APPLIANCE WAS CONVERTED ON \_\_\_\_\_ DAY/MONTH/YEAR

TO \_\_\_\_\_ GAS WITH KIT NO. \_\_\_\_\_

\_\_\_\_\_ OF \_\_\_\_\_  
(INSTALLER) (COMPANY NAME)  
WHICH ACCEPTS THE RESPONSIBILITY THAT THIS CONVERSION HAS BEEN PROPERLY MADE.

**Figure 12-1 Conversion Label**

**Altitude Considerations**

- The Electrolux Professional Series range is equipped with two types of burners:
- ♦ Sealed power burners – up to 17,000 BTU per hour
  - ♦ Sealed precision burner(s) – up to 8500 BTU per hour (smaller in size than the power burner)
- For elevations above 2000 feet, the burners ratings will be reduced at the rate of 4% for each 1000 feet above sea level.

## Conversion Back to Natural Gas

If it is necessary to return the range to natural gas service, repeat all of the steps in this procedure using the parts that have been removed. Use the chart below to determine the orifice sizes, shutter gaps, and the air shutter part numbers.

### Natural Gas Conversion Specifications

Burner Location	Bypass Orifice	Main Orifice	Air Shutter Part No.	Air Shutter Gap (IN/MM)
Left Rear	81	184	HN A-0053-E	.37/9.5
Left Front	72	140	HN A-0052-E	.34/8.6
Right Rear	81	184	HN A-0053-E	.35/8.9
Right Front	81	188	HN A-0053-E	.37/9.4

**Model E30DF74EPS (30-Inch)**

Burner Location	Bypass Orifice	Main Orifice	Air Shutter Part No.	Air Shutter Gap
Left Rear	81	184	HN A-0053-E	.37/9.5
Left Front	72	133	HN A-0052-E	.30/7.6
Right Rear	72	133	HN A-0052-E	.33/8.4
Right Front	81	184	HN A-0053-E	.37/9.4
Center Rear	81	196	HN A-0053-E	.38/9.6
Center Front	81	196	HN A-0053-E	.37/9.5

**Model E36DF76EPS (36-Inch)**

Burner Location	Bypass Orifice	Main Orifice	Air Shutter Part No.	Air Shutter Gap
Left Rear	81	184	HN A-0053-E	.38/9.6
Left Front	72	133	HN A-0052-E	.35/8.8
Right Rear	72	133	HN A-0052-E	.30/7.7
Right Front	81	184	HN A-0053-E	.39/9.9
Center Rear	81	196	HN A-0053-E	.38/9.7
Center Front	81	196	HN A-0053-E	.37/9.5

**Model E48DF76EPS (48-Inch)**



USA • 250 Bobby Jones Expressway • Augusta, GA 30907  
1-877-4electrolux (1-877-453-3287) • [www.electroluxusa.com](http://www.electroluxusa.com)

CANADA • 5855 Terry Fox Way • Mississauga, ON L5V 3E4  
1-800-688-4606 • [www.electroluxca.com](http://www.electroluxca.com)