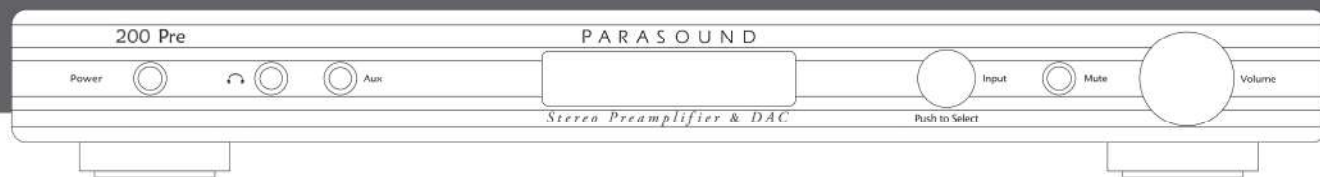


PARASOUND®



200 Pre

Stereo Preamplifier & DAC

Owner's Manual



RoHS
COMPLIANT



Important Safety Instructions

The lightning flash with the arrowhead symbol within an equilateral triangle is intended to alert the user to the presence of “dangerous voltage” inside the product that may constitute a risk of electric shock.

The exclamation point within an equilateral triangle is intended to alert the user to the presence of important operating and maintenance instructions in the literature accompanying the product.

TO REDUCE THE RISK OF ELECTRIC SHOCK, DO NOT REMOVE COVER. NO USER-SERVICEABLE PARTS INSIDE. REFER SERVICING TO QUALIFIED SERVICE PERSONNEL

1. **Read Instructions** — Read all the safety and operating instructions before operating this product.
2. **Retain Instructions** — Retain safety and operating instructions for future reference.
3. **Heed Warnings** — Adhere to all warnings on the product and in the operating instructions.
4. **Follow Instructions** — Follow all operating and use instructions.
5. **Cleaning** — Unplug this product from the wall outlet before cleaning. Use a damp cloth for cleaning. Clean the outside of the product only.
6. **Attachments** — Do not use attachments that are not recommended by the product manufacturer; they may be hazardous.
7. **Water and Moisture** — Do not use this product near water.
8. **Accessories** — Do not place this product on an unstable cart or stand. The product may fall, causing bodily injury and damage to the product. A product and cart combination should be moved with care. Quick stops, excessive force, and uneven surfaces may cause the product and cart to overturn.
9. **Ventilation** — Slots and openings in the cabinet are provided for ventilation to ensure reliable operation of the product and to protect it from overheating. These openings must not be blocked or covered. This product should not be placed in a built-in installation such as a bookcase or rack unless proper ventilation is provided.
10. **Power Sources** — Operate this product only from the type of power source indicated on the label. If you are not sure of the type of power supply to your home, consult your dealer or local power company. This product is equipped with a three-prong grounding plug. This plug will only fit into a grounding power outlet. If you are unable to insert the plug into the outlet, contact your electrician to replace your obsolete outlet. Do not defeat the safety purpose of the grounding plug.
11. **Power Cord Protection** — Power supply cords should be routed so that they are not likely to be walked on or pinched by items placed upon or against them.
12. **Lightning** — Unplug the unit from the wall outlet for added protection during a lightning storm and when it is left unattended and unused for long periods of time. This will prevent damage to the product due to lightning and power line surges.
13. **Overloading** — Do not overload wall outlets or extension cords. This can result in a fire or electric shock.
14. **Inserting Objects into Unit** — Never push objects of any kind into this product through any openings; they may touch dangerous voltage points or short out parts that could result in fire or electric shock.
15. **Servicing** — Do not attempt to repair or service this product yourself. Opening or removing covers may expose you to dangerous voltage and other hazards. Refer all servicing to qualified service personnel.
16. **Damage Requiring Service** — Unplug this product from the wall outlet and refer servicing to qualified service personnel under the following conditions: **a)** If the power-supply cord or plug is damaged. **b)** If liquid has been spilled into the product. **c)** If the product has been exposed to rain or water. **d)** If the product does not operate normally by following the operating instructions. **e)** If the product has been dropped or damaged in any way. **f)** If the product exhibits a distinct change in performance.
17. **Replacement Parts** — When replacement parts are required, be sure the service technician has used replacement parts specified by the manufacturer. Unauthorized substitutions may result in fire, electric shock, and other hazards.
18. **Safety Check** — Upon completion of any service or repairs to this product, ask the service technician to perform safety checks to determine that the product is in proper operating condition.
19. **Wall or Ceiling Mounting** — Mount the product to a wall or ceiling only as recommended.
20. **Heat** — The product should be situated away from heat sources such as radiators, heat registers, stoves, and other products (including amplifiers) that produce heat.

INTRODUCTION

Congratulations on your purchase of this precision audio product and thank you for selecting Parasound. We are proud to offer you this versatile preamplifier, knowing that it will bring you many years of enjoyment and dependable operation. Please take a few moments to read the following instructions so you can enjoy all the benefits of your new 200 Pre's advanced performance capabilities.

You can find details of the 200 Pre's specifications and advanced technology at www.parasound.com.

Enjoy.

The Parasound Staff
www.parasound.com

- ***Keep your Purchase Receipt/Dealer Invoice for future reference***
- ***Keep the carton in the event it is needed in the future***

Record the 5 digit serial number located on the bottom side of your 200 Pre in the space below. Also note your Parasound dealer's name and telephone number. Your purchase receipt-dealer invoice is required to determine if your 200 Pre is eligible for Parasound warranty service. We recommend that you make an extra copy of your original purchase receipt-dealer invoice and store it inside the 200 Pre's carton. If the 200 Pre should require warranty repair you will need its original carton and foam packing inserts to ship it.

Please do not throw away the carton or foam packing inserts.

Parasound 200 Pre Serial # _____

Parasound Dealer: _____

Parasound Dealer Phone Number: _____

Date of Purchase: _____

Important Warranty information

There is no Parasound warranty for this unit if it was not purchased from an Authorized Parasound Dealer. Investigate warranty coverage statements made by *unauthorized* dealers very carefully, as Parasound will not provide service under our warranty and you will need to depend entirely upon the unauthorized dealer for warranty service. A list of Authorized Parasound Dealers and detailed warranty information is available at **www.parasound.com** or you can call Parasound at **(415) 397-7100** between 8:30 am and 4 pm Pacific time.

A missing or altered serial number could indicate that this unit was re-sold by an unauthorized dealer or is stolen merchandise. If this unit is missing its serial number or the serial number has been altered, you should return it to your dealer immediately for a full refund.

Table of Contents

Introduction	3
Placement and Ventilation Guidelines	5
Front and Rear Panel Illustrations	6
Audio Input Connections	
<i>Inputs 1-3</i>	7
<i>Front Panel Aux Input</i>	7
<i>Bypass Input</i>	8
<i>Digital Inputs (OPT, Coax, USB)</i>	9
Audio Output Connections	
<i>L & R Main Outputs</i>	10
<i>Subwoofer Outputs</i>	10
<i>Fixed / Rec Outputs</i>	10
<i>Headphone Jack</i>	10
12 Volt, IR and RS-232 Connections	10
High Pass Crossover	11
Subwoofer Setup	11
Front Panel Display and Controls	12
<i>Volume & Multifunction Select Knob</i>	12
<i>Selecting Inputs</i>	12
<i>Bass, Treble and Balance Adjustments</i>	12
Remote Control	13
Turn On Volume and Favorite Volume	14
Factory Reset	14
Renaming Inputs	15
Input Level Offset	15
Troubleshooting	16
If You Require Assistance or Warranty Repair	17
Specifications and Details	18

Unpacking your 200 Pre & Placement Guidelines

Unpacking Your 200 Pre

Carefully remove your 200 Pre from its shipping carton and locate its AC power cord and these included accessories:

- A 12V trigger cable with mono 3.5mm mini plugs at both ends.
- Remote control and two AA batteries.
- 18 AWG power cord

While you are unpacking your 200 Pre, inspect it thoroughly for evidence of possible shipping damage and tell your Parasound dealer immediately if you find any. If possible, save and store both the inner and outer cartons and—most especially—the foam packing inserts, to protect the 200 Pre if you move it or have to ship it. This would be a good time to make a copy of your sales receipt for storage with the 200 Pre's original packing.

Placement Guidelines

Install your 200 Pre away from heat sources such as heat-producing audio components, heating ducts, radiators. Observe the following ventilation guidelines when installing the 200 Pre in an equipment rack or any other enclosed space:

It is better to position your 200 Pre under, rather than above, power amplifiers or other heat-producing components. Pockets of intense heat can still develop above and around any heat-producing equipment. You should also avoid installing the 200 Pre in an unventilated equipment cabinet or small compartment because hot air created by the other components will not exhaust adequately and result in overheating. A cabinet or enclosure whose front and back are open doesn't guarantee that air will circulate adequately. Allow a few inches of empty space on each side of the unit and try to avoid crowding or stacking the 200 Pre tightly between other components.

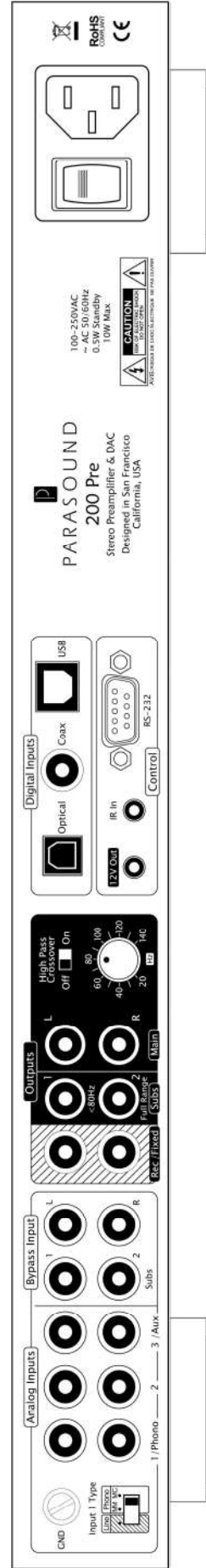
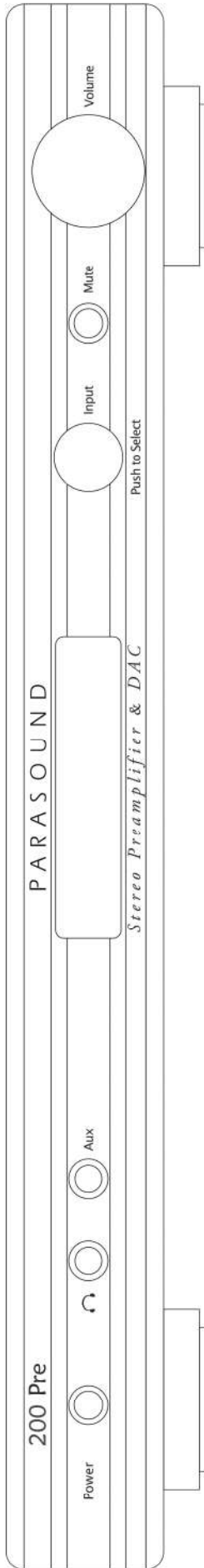
If you are installing the 200 Pre yourself, use input and output cables that are long enough to leave at least two feet of slack; that will enable you to pull the 200 Pre out of a cabinet to check or to change connections without inadvertently disconnecting cables.

Rack Mounting Your 200 Pre

A rack mount adapter model "RMK-11" is available for purchase separately.

AC Line Power Cord

Connect your sources and preamplifier before you plug in the AC cord. The power cord supplied with your 200 Pre is an IEC type 18AWG AC cord. The AC ground potential can vary between your AC outlets and the result can be an audible 60Hz (or 50Hz) hum heard in your speakers. To help avoid this problem plug your 200 Pre into the same AC wall outlet, power strip or line conditioner as you have plugged in your power amplifier and other audio components. The power cord might be different for units sold in other regions of the world.



Rear Panel Layout and Connections

Always disconnect your 200 Pre's AC cord (or turn off the master AC switch) before connecting or disconnecting cables. Inserting or removing an interconnect cable's plug while this unit and your power amp are turned on can result in a burst of sound that can damage your loudspeakers. Make sure there is no strain or tension on any input cables, speaker wires, DC trigger wires or the AC cord that could cause them to pull loose.

Analog Audio Input Connections

Input 1/Phono

Input 1 can be connected to either a turntable or a standard line level source. If you wish to connect a turntable, set the Input 1 Type switch to MM (moving magnet) or MC (moving coil), depending on your cartridge. Select MM if you are not sure which type of phono cartridge you have. MM cartridges are more common than MC cartridges. If anything other than a turntable is connected to Input 1 you must set the adjacent Input Type selector switch to "Line".

Connect the ground wire from your turntable to the Phono Gnd (ground) terminal on the 200 Pre.

Note: If your turntable can't reach adequate volume, or if it plays too loud, you have selected the incorrect cartridge type.

Input 2

Input 2 is compatible with any typical analog line level source.

Input 3/Aux

Input 3 is compatible with any typical analog line level source but is shared with the Aux input on the front panel. The front panel Aux Input has priority over Input 3 on the rear panel. When a plug is inserted into the front panel Aux jack the rear panel Input 3 is automatically disconnected and you will not hear the source connected to the rear panel Input 3 jacks. Input 3 on the rear panel will be reconnected when the interconnect plug is removed from the front Aux jack.

Front Panel Aux Input

For your convenience, the 200 Pre includes this input jack on the front panel for a mobile phone or portable music player. Use any standard 3.5 mm stereo aux cable to connect your portable player or phone's headphone jack to the 200 Pre. The front panel Aux Input circuit includes an additional gain stage that boosts the input signal by 12 dB so that the volume level remains consistent with your other audio sources. For the best result, set your portable player or phone's volume to at least 75% of its maximum level. If you connect a component other than a portable music player or phone to the Aux Input jack, the volume level will probably be too high and likely distorted.

Note: Whenever a plug is connected to the front panel Aux jack you will not be able to hear the source that is connected to Input 3 on the rear panel.

Bypass Input

The Bypass input jacks are used to integrate the 200 Pre with an additional audio source that has its own volume control. The most common example is a music streaming device such as a Sonos® Connect®. Other sources with their own volume control include a separate AV surround sound receiver or pre-amp, an additional house audio controller or a bluetooth adapter. A source connected to the Bypass input will be audible when the 200 Pre is turned off or by selecting the Bypass input when the unit is turned on.

The Bypass input works by passing the incoming L, R and Sub channels directly through to the L, R and Sub output jacks. None of the 200 Pre circuits or controls has any effect on the bypassed signals. The 200 Pre is thus transparent to the Left, Right and Subwoofer(s) outputs from your surround sound processor or receiver and passes them on to your amplifier(s) and Subwoofer(s). **In order to use the 200 Pre Bypass function your AV/surround sound receiver must have line level preamp output jacks. You can't use Zone 2 preamp output jacks.**

The 200 Pre's Bypass function is a direct connection between its L, R and Sub Bypass Input jacks and its Main and Sub output jacks. All controls are excluded from the bypass signal path.

- ***Adjusting the 200 Pre Volume will not change the volume level of the Bypass input.***
- ***The Bass and Treble Tone controls do not function; frequency response is flat, regardless of how these controls are adjusted.***
- ***The Left/Right Balance control does not function; channel balance is equal, regardless of how this control is adjusted.***
- ***The Subwoofer Level and on/off control does not function.***
- ***The Main Outputs are full range, regardless of the crossover settings.***
- ***Both Subwoofer Outputs are full range.***

The exclusions above are intentional so your surround sound receiver bass management menu settings and volume control function normally when you are listening to surround sound with the Left, Right and Sub channels routed through the 200 Pre. Please see the owner's manual for your surround sound receiver or processor to set the proper speaker levels, distance and bass management. If you have already calibrated your surround sound system, there is no need to recalibrate your system after adding the 200 Pre. Don't forget that the volume control on the 200 Pre does not work when the Bypass Input is selected. Use the volume control on your surround sound AVR or processor.

Connecting an AVR to the Bypass Input

Connect your surround sound receiver's Left, Right & Sub(s) Preamp output jacks to the 200 Pre's Left, Right & Sub(s) Bypass Input jacks. Two Bypass Subwoofer Input jacks are included in case you have two Subwoofers and your surround receiver includes two Subwoofer out jacks. With a single Subwoofer you can use either the Sub 1 or Sub 2 Input jacks.

Selecting the Bypass Input

The Bypass Input can be selected by two different methods:

200 Pre is Already Turned On:

When the 200 Pre is turned on you can select the Bypass input with the remote control or the front panel Input selector knob.

200 Pre is Turned Off:

The Bypass input is automatically selected whenever the 200 Pre is turned off. This makes it easy to use your surround sound equipment even without turning the 200 Pre on. The 200 Pre must be turned on for the Balanced XLR outputs to function.

The 200 Pre Bypass Inputs should not be connected directly to any source component with a fixed output level. Examples are CD players, most Blu-ray/DVD players, tape decks or tuners. Since there is no volume control with the Bypass input the full voltage output from the source will go directly to the power amplifier. The sound level could be extremely high and could damage your speakers.

Digital Inputs (OPT, COAX, USB)

The 200 Pre's built in DAC (Digital to Analog Converter) uses a high resolution 192kHz Burr-Brown DAC IC. Since the 200 Pre's DAC is superior to the DAC in most source components, they will sound better if you connect them via their digital output rather than their conventional analog line output.

Using the Digital Output on a TV, Blu-ray/DVD Player or Gaming Console

If you connect a TV, Blu-ray player, DVD player, cable TV box, satellite receiver, video streaming device or gaming console to your 200 Pre you must go to that device's audio setup menu and select stereo PCM (2.0) output. The 200 Pre's DAC accepts only two-channel stereo PCM. It does not accept Dolby Digital or DTS formats.

Opt (Optical)

The optical input is a high speed Toslink receiver with a 25MHz bandwidth. It accepts standard sampling rates up to 192kHz-24 bits:

Optical Cable Note: 192 kHz sampling rates will only play reliably with a short optical cable. Be careful when handling the optical cable. It has limited flexibility and if you bend it at a sharp angle you'll impair its ability to transfer the optical signal from your source to the 200 Pre.

Coax (Coaxial)

The Coax (also called S/PDIF) input connector is an RCA jack. The Coaxial input accepts standard sampling rates up to 192kHz-24 bit.

Coaxial Cable Note: The 200 Pre's Coax input works best with a true 75 ohm cable which typically has "75 ohm", "RG6" or "RG59" printed on the cable. Using an ordinary audio cable can make the signal unstable, resulting in high levels of jitter and even audio dropouts. Most digital coaxial cables with RCA plugs look like typical analog audio cables, but their electrical characteristics are not always the same.

USB

The USB input is used to connect your 200 Pre to your PC or Mac computer. This allows high quality playback of any music that is stored on your computer and streaming music services accessed via the internet. The USB input accepts sampling rates up to 96kHz-24 bit. The 200 Pre uses the USB 1.1 Audio standard which allows use of 12' (4 m) USB cables without any performance penalty. The USB connection is plug and play with Windows and Mac computers and therefore doesn't require the installation of any drivers.

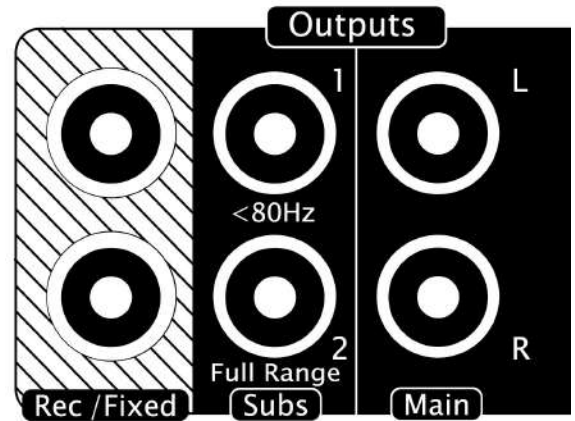
Audio Output Connections

L & R Main Outputs

These outputs connect directly to a power amplifier. They are variable because their output level is determined by the volume control setting.

Sub <80Hz Output (Subwoofer #1)

This is a subwoofer output with 80Hz low pass crossover. When you use this output you must turn off your subwoofer's built in crossover in order to avoid inadequate output level caused by "double filtering." If your subwoofer's crossover cannot be switched off, then you should use the 200 Pre's Full Range Sub output (Sub #2).



Sub Full Range Output (Subwoofer #2)

This is a summed L+R full range signal. The most common use of this jack is for a subwoofer. Since this output is full range, you will need to use the low pass crossover built into your subwoofer. This mono output can also be useful for bathrooms, hallways or outdoors where a single full-range mono speaker is often preferable to stereo speakers.

L & R Rec / Fixed Outputs

These outputs are not affected by the setting of the volume control. The bass, treble and balance controls also do not affect this output. These could be used in rooms with passive (in-wall) volume controls or for making analog recordings.

Headphone Jack

The headphone jack on the front panel accepts a 1/8" (3.5 mm) stereo plug. The main and Subwoofer outputs are automatically muted when you plug in headphones. The Rec/Fixed outputs are not muted when headphones are plugged in.

12 Volt, IR and RS-232 Connections

12 Volt Output Jack

The 12V Out is used to turn a power amp or other accessories on and off automatically. If your power amplifier is equipped with a 12 volt trigger input, connect the included trigger cable between the 200 Pre's 12V Out jack and the power amplifier's 12 volt trigger input. When the 200 Pre is powered on, 12 volts will be present at the 12V output jack and your amp will turn on automatically. When the 200 Pre is powered off your amp will automatically turn off.

IR Input Jack

Your 200 Pre is compatible with most infrared repeater systems for operation from another room or when the 200 Pre is installed in a cabinet where its remote handset commands cannot reach its front panel IR receiver. The IR Input connector is a standard 1/8" (3.5 mm) mono "mini" jack. The center conductor (plug tip) is for the signal and the outer conductor (plug sleeve) is for ground. Your Authorized Parasound dealer or custom installer can recommend a compatible IR repeater system.

RS-232 Control Port

This DB9 serial port permits the 200 Pre to be controlled by home automation and control systems such as Crestron®, AMX®, Control4®, Savant® and Elan®. When the 200 Pre is connected to such a device, it can be controlled from keypads or touch-screen panels throughout your house. The RS-232 port is a 2-way signal for both control and status feedback. The capabilities of such connections, and the programming and interfacing needed will depend on the automation system you select. Consult your Parasound dealer or custom installer for more information regarding interfacing an external control system to your 200 Pre. The complete 200 Pre RS-232 protocol can be found at: www.parasound.com.

High Pass Crossover

The 200 Pre High Pass Crossover for the Main Outputs allows you to block low frequencies from going to your main L and R speakers. This can be particularly useful if you are using small speakers (typically with woofers that are 6.5"/165mm or smaller) and you have a subwoofer. The most common settings are between 50 Hz and 80Hz. If you are not using a subwoofer you will get better results by turning the 200 Pre High Pass Crossover off or setting it at 40 Hz or lower. If you want your L and R speakers to operate full range with no frequencies blocked set the High Pass crossover switch to the Off position.

Subwoofer Setup

For proper subwoofer operation you must first pick the subwoofer output most appropriate for your system and adjust your subwoofers built in crossover as needed. After picking the correct crossover you must setup the subwoofer level.

>80Hz Subwoofer #1 Output (Low Pass)

If you are connecting your subwoofer to the 200 Pre's ">80Hz" Sub output then you should turn off the crossover built into your subwoofer. Using both the sub's and 200 Pre's crossovers will result in low output caused by "double-filtering." Most powered subwoofers have a switch that's typically labelled "Bypass", "LFE" or simply "Crossover Off." If your subwoofer's crossover cannot be switched off, set it to its highest frequency.

Full Range Subwoofer #2 Output

If you are connecting your subwoofer to the 200 Pre's "Full Range" Sub output then you must leave your subwoofer's crossover engaged.

Subwoofer Level Setup

To set the proper subwoofer level, start with the 200 Pre's subwoofer level control set to its flat (0 dB) position and play a variety of music. Adjust the level control on your subwoofer until the bass level sounds balanced in your system. Now, whenever you want to fine tune your subwoofer level you can simply use the 200 Pre's front panel or remote-control Sub level control instead of walking over to your sub, bending down and reaching behind it to adjust its level control.

Using Stereo Subwoofers

If you have two subwoofers and want them to operate in stereo you can connect them to the Left and Right Main Output jacks instead of to the Sub Output jacks which are mono. In this case you need to set the High Pass crossover switch to Off. With this configuration the 200 Pre Sub Level control and on/off by remote do not function.

Front Panel Controls

Volume Knob

Rotate the Volume knob right or left to increase or decrease the volume level. The range is from 0 to 100. A setting of 100 corresponds to a preamp gain of 12dB. A setting of 76 is “unity gain” where the output voltage is the same as the input voltage.

Input / Multifunction Select Knob

The Input knob on the front panel controls several different functions. The default function of the knob is input selection. Each time the knob is pressed inward the function that the knob controls will change. The knob functions rotate through in this order with each press:



Input

The default function (no press) of this knob is input selection. Rotating it cycles through all of the inputs. Stop at the input you wish to hear.

Bass/Treble

After pressing the knob once, rotate it to increase or decrease the bass. Press the knob again and rotate it to control the treble. Bass and Treble are adjusted in 1dB increments over a +/- 8dB range.

Balance

Press the knob again and rotate it to shift the balance to the left or right. This can be helpful to compensate for speaker placement or room acoustics. The maximum adjustment is 15dB to the Left or Right.

Sub Level

Press the knob again and rotate it to adjust the level of the Subwoofer outputs. The maximum adjustment is +/- 15dB.

Remote Control

Off & On

These buttons turn the power on and off.

Set

The Set button is used in conjunction with other buttons for setting up some features. These features include setting the turn on volume, Mem (favorite) volume, renaming the inputs and adjusting the input level offsets. See page 14 and 15 for instructions on how to use these features.

Remote Backlight Button

Pressing this button backlights the buttons with a soft blue glow. The backlight will time-out after approximately 8 seconds or you can press the button a second time to turn back lighting off immediately.

Dim

Press this button to select one of the volume display's two brightness levels.

Sub On/Off

Press this button to turn both subwoofer outputs on or off.

Balance Left & Right

Use these buttons to shift the balance to the left or right. This can be helpful to compensate for speaker placement or room acoustics. The maximum adjustment is 15dB.

Volume ▲ and ▼

The + and – buttons increase and decrease the volume level.

Mute

Press to mute the audio. Pressing a second time will unmute the audio. The mute is also turned off automatically if you increase or decrease the volume or if you power the unit off and back on again.

Vol Mem (Volume Memory)

This button recalls the volume setting you have memorized. This is a convenient way to jump to your favorite volume setting. This Volume memory is different than the turn on volume setting. See page 14.

Tone Flat

This button resets the Treble and Bass settings to zero (flat). The subwoofer level will not be changed.

Inputs Buttons

These buttons select the input you wish to hear.

Bypass

This button selects the Bypass input. The Bypass input is also automatically selected when the unit is turned off. See page 8.

Input Name ◀ and ▶

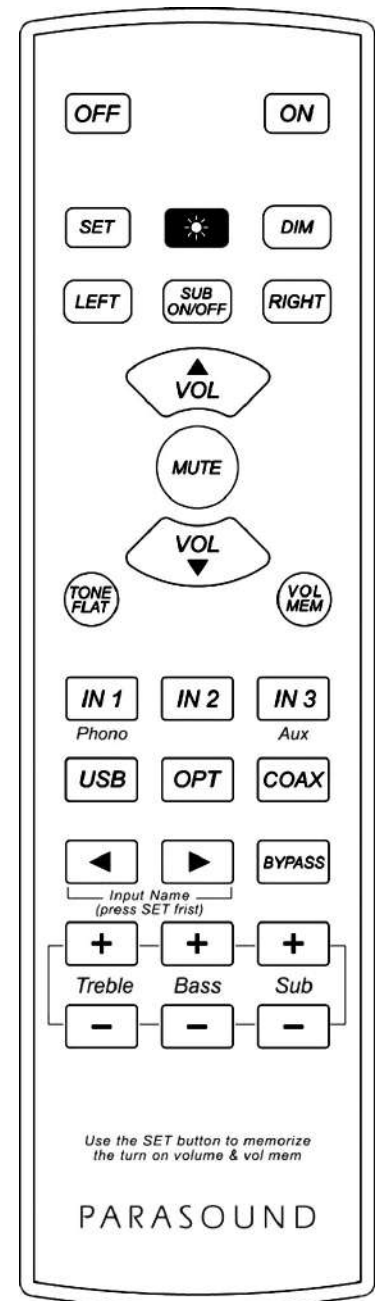
Press the "Set" button and then these buttons to change the name of the current input. See page 15.

Bass & Treble +/-

Raise or lower the amount of bass and treble with these buttons.

Subwoofer +/-

Raise or lower both subwoofer #1 and #2 output levels simultaneously with these buttons.



Turn On Volume & Favorite Volume

Turn On Volume

You may wish your 200 Pre to come on to the same volume setting every time it is turned on. This can be particularly useful if you sometimes listen at high volume levels and you want to avoid a blast of sound the next time you turn it on. Or you may have a preferred listening level. To set the Turn On volume setting follow these steps:

Setting the Turn On Volume:

- 1) Adjust the volume to the level you wish to program
- 2) Press the "Set" button
- 3) Press the Power "On" button

Now every time the 200 Pre is turned on the volume will automatically be set to the level you have programmed.

Cancel the Turn On Volume Feature (Use Last Volume)

You may wish to cancel the "Turn On Volume" feature. In this case, when the 200 Pre turns on the volume will be at the same level as when it was turned off. Follow these steps to have the 200 Pre turn on to the level it was last used at:

Cancel the Turn On Volume feature:

- 1) Press the "Set" button
- 2) Press the Power "Off" button

Now when the 200 Pre turns on the volume will be set to where it was last used.

Memorizing a Favorite Volume Level (Mem button)

For your convenience, you can memorize your favorite listening level. Once memorized you can easily jump to this listening level by pressing the "Vol Mem" button on the remote control.

Memorizing a favorite volume level:

- 1) Adjust the volume to the level you wish to be memorized
- 2) Press the "Set" button
- 3) Press the "Vol Mem" button

You can now jump to your favorite listening level by pressing the Vol Mem button at any time. This is different than the "Turn On Volume" you may have already set.

Factory Reset

Performing a factory reset will erase all user settings. This includes input names, turn on volume memory, favorite volume memory and input level offsets.

Factory Reset procedure:

- 1) Unplug the AC power cord
- 2) Press and hold the front panel Power button
- 3) Plug back in the AC power cord [display will indicate user memory has been reset]
- 4) Release the front panel Power button

Renaming Inputs

The factory default input names are “Input 1”, “Input 2”, “Input 3/Aux”, USB, Optical, Coax and Bypass. To make it easier to remember which source is connected to what input number you may wish to rename the inputs. Any of the inputs can be renamed to be one of the names in the following list.

BLUESOUND
BLUETOOTH
BLU-RAY
CD PLAYER
CABLE
DVD
DAC
DISC
GAME
INTERNET

LAPTOP
MAC
MP3 PLAYER
NETWORK
PC
PHONO
PHONE
SACD
SAT
SERVER

SONOS
TUNER
TV
TABLET
TAPE
VIDEO
VINYL
WIRELESS

Renaming Procedure:

- 1) Select the input you wish to change.
- 2) Press the “Set” button.
- 3) Press the “Input Name ◀ and ▶” buttons to cycle through the available names.
- 4) When you have found the name you want press “Set” again to memorize.

Repeat steps 1 through 4 for the other inputs.

Input Level Offset

This feature allows you to increase or decrease each input’s volume level individually to compensate for varying output levels among different sources. If you notice a sound level change when switching from one input to another, you can raise or lower the corresponding input level offset over a range of +/-8 dB. After each input level offset is adjusted, your sources should all play at about the same volume level.

Offset Setting Procedure:

- 1) Select the input you wish to adjust.
- 2) Press the “Set” button.
- 3) Press the volume up or volume down buttons. [the display will show current setting]
- 4) After selecting the desired offset press “Set” again to memorize.

Repeat steps 1 through 4 for the other inputs as needed.



Troubleshooting

When the unit turns on the volume always jumps to the same setting

- The "Turn On Volume" feature has been activated. See page 14 on instructions on how to turn off this feature. This can only be done using the remote control or by doing a factory reset.

There is no sound from input 3

- Input 3 is shared with the front panel Aux Input. When a plug is inserted into the front panel Aux jack the rear panel Input 3 is disconnected. To use both the Input 3 and the Aux Input you must unplug the front panel Aux cable when not using it.

When I use the Bypass Input the sound is very loud and cannot be turned down

- The Bypass input should never be connected directly to a source component (CD, DVD, Tape deck, etc.). The source connected must have its own volume control and that will be used to adjust the volume level. See page 8 for more information.

The sound is distorted and weak

- Make sure the gain of the power amp is not set too low.
- Are you trying to use a turntable? Make sure you have set the phono selector switch to the correct cartridge type. Is the turntable's tracking force adjusted correctly for its cartridge?
- Make sure the stereo power amp's stereo/mono switch is set to stereo.

The USB input is not playing audio from my Computer

- Look in the sounds options of your computer and select "PARASOUND" as the output
- Ensure the USB cable is connected between the 200 Pre and your computer.
- Ensure the 200 Pre is turned on.
- Turn off the 200 Pre and restart your computer and try again.

I can hear a hum or buzzing noise from my speakers

- Cable TV is the most common source of hum or buzzing noise in a system. If you have a cable TV box connected to your audio system temporarily remove the incoming cable signal from the Cable TV box. If the hum goes away the problem is with the cable TV ground. You will need a cable TV ground Loop Isolator which is an inexpensive device that attaches between your incoming cable and the Cable TV box.
- Light dimmers can cause noise in your audio system. Try turning lights that are controlled by dimmers all the way off. If the hum goes away the problem is electrical noise the dimmers introduce into your home's AC power.
- Ground loops are also a common cause of hum and buzzing noise. Finding a ground loop is a process of elimination. Unplug your source components one at a time. When the hum goes away you've identified the source of the ground loop. You might be able to stop the hum by attaching a wire from the chassis of the offending component to the chassis or ground screw of your preamplifier.

Maintaining Your 200 Pre

Your 200 Pre requires no periodic maintenance and has no user serviceable parts inside. To avoid risk of electric shock do not remove the top cover. To keep it clean use only a soft cloth moistened with a few drops of clear water or window cleaner. Never use any solvents or abrasives.

Are You Having Difficulty?

Warranty Repair

Call your Parasound dealer first. If the dealer can't help you with your problem we encourage you to call Parasound's Technical Service Department at **415-397-7100**, Monday - Friday, 8am - 4pm Pacific time. We can suggest other diagnostic tests you can easily perform. If we determine that your 200 Pre should be returned to Parasound or an Authorized Parasound Warranty Center for inspection and possible servicing, we will provide the location of a warranty center near you or shipping instructions for the unit's return to Parasound. Read your accompanying Parasound Limited Warranty carefully to understand the applicable rights and limitations. This section provides instructions for obtaining repairs, both for units covered under the Parasound Limited Warranty and for units or situations which are outside the Warranty.

Unit is not eligible for repair under the terms of the Parasound warranty if:

1. Unit was not purchased from a Parasound Authorized Dealer.
2. You do not have the original bill of sale or sales receipt from a Parasound Authorized Dealer.
3. You are not the original owner. The Parasound warranty is not transferable.
4. Unit's serial number was removed, modified, or defaced.
5. Unit shows evidence of abuse and/or misuse.
6. Unit was modified in any way.
7. A prior repair was attempted by an unauthorized repair station.

Before You Return Any Unit to Parasound for Service

Before you send your unit to Parasound, you will need to obtain a specific Return Authorization (RA) number and shipping instructions from Parasound's Technical Department. The RA number must be clearly marked on the outer carton. Use the original factory packing materials and arrange adequate insurance to cover its replacement value. You must include a copy of your purchase receipt, since this document establishes the validity of this unit's warranty. Warranty repairs are only performed by Parasound or Parasound Authorized warranty centers when your purchase receipt is from a Parasound Authorized Dealer or Parasound Authorized Reseller.

Do not ship to Parasound by the USPS (US Postal Service) - we will not accept delivery. We will also refuse delivery of units whose cartons show evidence of damage caused by inadequate packing.

Specifications and Details

Frequency Response:

20Hz - 20 kHz, +0 / -0.05dB

10Hz - 80 kHz, +0 / -3dB

Total Harmonic Distortion (20Hz - 20kHz):

< 0.03%

Interchannel Crosstalk: 75dB at 20kHz

Input Sensitivity:

250mv = 1V output

Total gain = 12dB (volume set to 100)

Unity Gain = Volume set to 76

Maximum output = 3.5V

Phono Stage Sensitivity / Input Impedance:

MM: 40dB / 47 k Ω

MC: 50dB / 100 Ω

Phono Stage Input Capacitance: 150pF

Line Level Input Impedance: 24k Ohms

Output Impedance: 470 Ohms

S/N Ratio – Line Inputs:

> 100dB, input shorted, IHF A-weighted

> 90dB, input shorted, unweighted

S/N Ratio – Digital Inputs:

> 100dB, input shorted, IHF A-weighted

> 90dB, input shorted, unweighted

DAC IC: Burr-Brown PCM1798

DAC Maximum Sampling Rates (PCM only):

USB: 96kHz - 24 bit

Optical: 192kHz - 24 bit

Coax: 192kHz - 24 bit

DC Trigger Output: 12Vdc, 50mA

AC Power Requirement:

10 Watts maximum

< 0.5 Watts in standby

100-250 VAC 50/60 Hz (automatic)

Dimensions:

Width: 17.25" (438 mm)

Depth: 14.75" (375 mm)

Depth: 16.75" (425 mm) with cables connected

Height, with feet: 2.5" (63.5 mm)

Height, without feet: 1.75" (44.5 mm), 1U

Rack mounting requires the RMK-11 rack mount kit (sold separately)

Weight:

Net: 11 lbs (5 kg)

Shipping: 17 lbs (7.7 kg)

We invite you to visit www.parasound.com for the most up-to-date information on your unit and to find out about other Parasound products. Learn why Parasound has been a quality and value favorite of magazine reviewers, sound professionals and listeners like you since we were founded in 1981.

PARASOUND
NEW CLASSIC

HALO
PARASOUND

Z CUSTOM
PARASOUND



PARASOUND®

Parasound Products, Inc. 2250 McKinnon Ave, San Francisco, CA 94124
Customer Service & Tech Support: 415-397-7100
www.parasound.com