

# ZV900SL

## GE Monogram® 36" Glass Canopy Wall-Mounted Hood

### Dimensions and Installation Information (in inches)

This vent hood may be installed onto a wall and vented to the outdoors, or it can be installed for recirculating operation. All necessary parts for recirculating operation are supplied with the hood. No kits required. Must use an 8" round duct.

A decorative duct cover is provided to cover the duct from the top of the hood to a 7'11" to 9'5" ceiling.

#### Accessories:

An optional stainless steel duct cover is available for 9'5" to 10'5" ceiling heights. Order ZX90010 optional duct cover at the same time as the vent hood and have on site before installation.

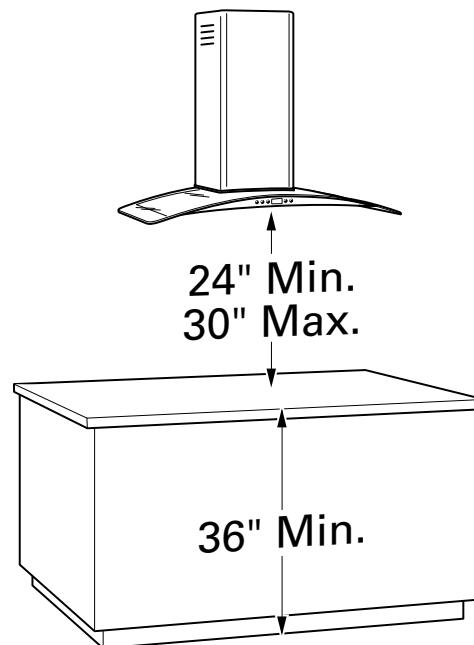
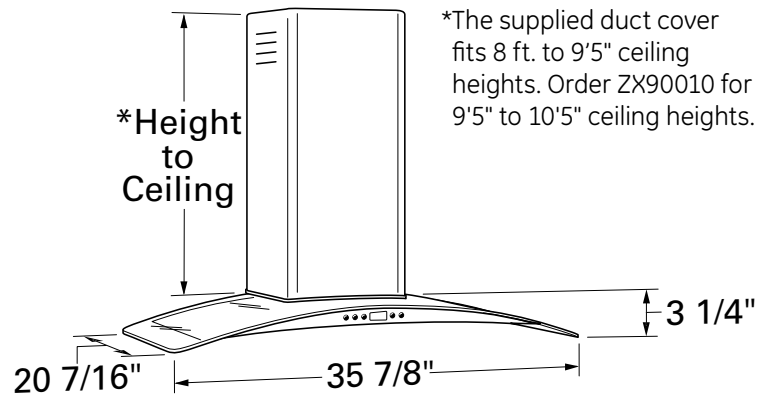
#### Dimensions and Clearances:

The vent hood should be installed 24" min. and 30" max. above the cooking surface. The cooking surface should be at least 36" above the floor. Installation will be easier if the vent hood is installed before the range or cooktop/countertop is installed.

This hood can be installed over a Monogram electric or gas cooktop. It cannot be installed over a Monogram professional cooktop or range.

**Installation Information:** Before installing, consult installation instructions packed with product or available on [monogram.com](http://monogram.com) for current dimensional data.

**Note:** Installation height should be measured from the cooking surface to the outer glass sides.



The vent hood must be installed 24" min. and 30" max. above the cooking surface depending on the ceiling height.

For answers to your Monogram,® GE Profile™ or GE® appliance questions, visit our website at [ge.com](http://ge.com) or call GE Answer Center® service, 800.626.2000.

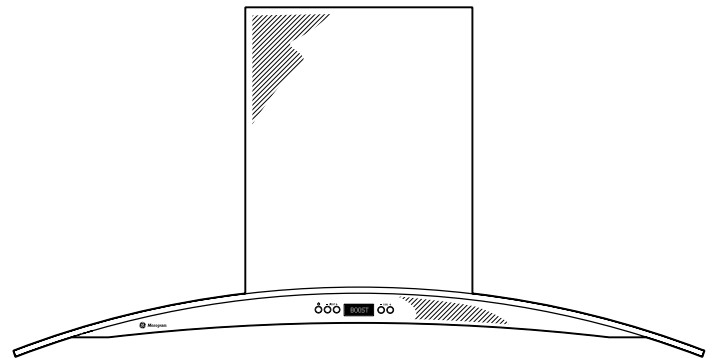


# ZV900SL

## GE Monogram® 36" Glass Canopy Wall-Mounted Hood

### Features and Benefits

- Sleek, Understated Appearance - Combines the durability of professional-grade stainless steel with the elegant simplicity of bowed, tempered glass
- Backlit Touch Controls and Digital Readout - Allow you to easily select and view hood functions
- Powerful Ventilation - Offers three speeds plus a 570-cfm boost to capture cooking fumes and odors
- Recirculating-Ready Design - Includes a reversible duct cover and charcoal filter for non-vented installations, eliminating the need for an optional kit
- Halogen Lighting - Provides four levels of clean, brilliant illumination to suit any cooking task
- Removable Stainless Steel Filter - Detaches easily for safe cleaning in your dishwasher
- Model ZV900SLSS - Glass Canopy/Stainless steel



imagination at work