



Stainless Solid



Integrated Solid



Black Solid



White Solid

### Key Features

- Daily ice production of up to 60 lbs of ice
- Up to 30 lbs in ice storage capacity
- Clear ice cube dimensions: 7/8" W x 7/8" H x 7/8" L
- Clear ice cube fullness can be adjusted
- Silent setting temporarily suspends ice making for 3 hours
- Digital Touch Pad Control
- Indicator alert notifies user when cleaning is needed
- Easy clean process only lasts 45 minutes
- White interior is illuminated with LED lighting
- Clear heavy duty ice scoop included
- Drain required
- Factory installed drain
- Stainless steel handle (7/8" diameter)
- Field reversible door is shipped right-hand hinged
- Built-in or freestanding
- Four adjustable leveling legs

### Model Details

Model	Voltage/Hz	Door Swing	Pump	Finish	Shipping Weight
U-CLR1215S-00B	115 / 60	Field Reversible	-	Stainless Solid	95 lb
U-CLR1215S-40B	115 / 60	Field Reversible	Pump Included	Stainless Solid	101 lb
U-CLR1215INT-00B	115 / 60	Field Reversible	-	Integrated Solid	92 lb
U-CLR1215INT-40B	115 / 60	Field Reversible	Pump Included	Integrated Solid	98 lb
U-CLR1215B-00B	115 / 60	Field Reversible	-	Black Solid	95 lb
U-CLR1215B-40B	115 / 60	Field Reversible	Pump Included	Black Solid	101 lb
U-CLR1215W-00B	115 / 60	Field Reversible	-	White Solid	92 lb
U-CLR1215W-40B	115 / 60	Field Reversible	Pump Included	White Solid	101 lb

### Accessories

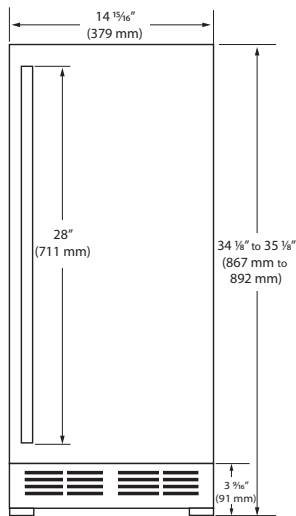
Model	Description	Finish	Shipping Weight
ULACLRCLEAN	Clear Ice Machine Cleaner (1 box of 6 packets)	N/A	1 lb
ULAWATERHOOKUP	Braided Water Supply Line Kit	N/A	2 lb



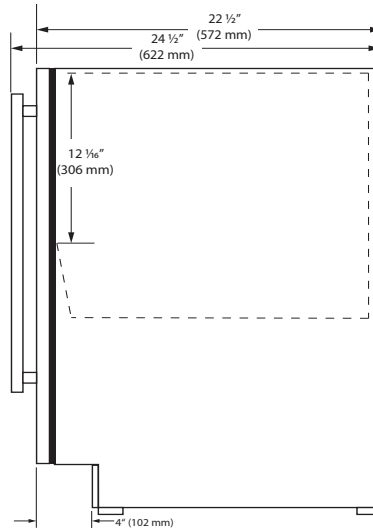
# CLR1215 • 15" Clear Ice Machine

## Front

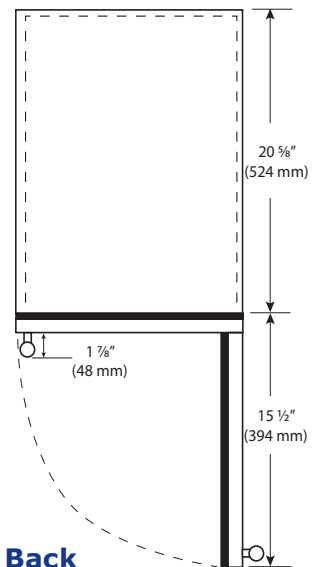
Dimensions shown apply to all finishes, including Integrated (INT) models with 3/4" integrated panel/frame installed.



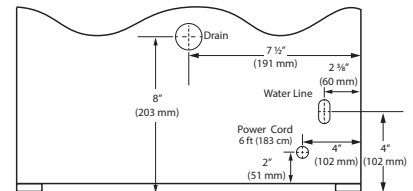
## Side



## Top



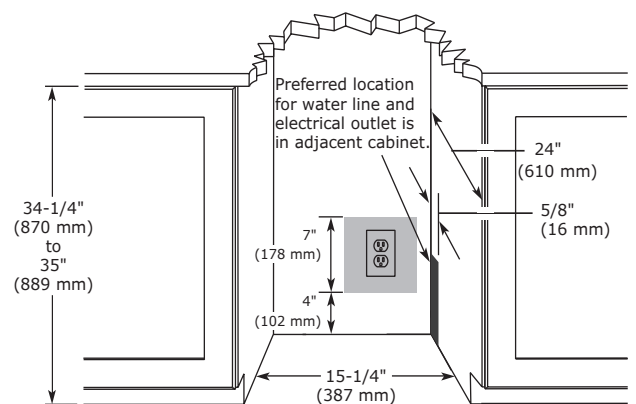
## Back



## Specifications

Model	CLR1215
Amps: Running	4
Amps: Ice Harvest	5.5
Control Type	Digital Touch Pad
Defrost Type	N/A
Dimensions: Product Depth	22 1/2" / 572 mm
Dimensions: Product Height	34 1/8" / 867 mm
Dimensions: Product Width	14 15/16" / 379 mm
ENERGY STAR	N/A
Ice Production Per Day	60 lb
Ice Storage	30 lb
Panel Height	30 1/4" / 768 mm
Panel Thickness	3/4" / 20 mm
Panel Type	Solid Panel
Panel Width	14 3/4" / 375 mm
Product Weight: Max	91 lb
Refrigerant Type	R134a
Sabbath (Star K Certified)	Yes

## Cabinet Cut-Out



## Warranty

- 1 Year (parts & labor) / 5 year sealed system (parts)
- + **Additional 1 Year (parts & labor) warranty at no cost with product registration**

See complete warranty for details

Please visit [u-line.com](http://u-line.com) to view this model's User Guide & Service Manual. All Specifications are subject to change without notice.

8900 North 55th Street • Milwaukee, Wisconsin 53223 USA • +1.414.354.0300 • [sales@u-line.com](mailto:sales@u-line.com) • [u-line.com](http://u-line.com)

