



# BREEZE I

AK1124 AK1100 AK1136

Zephyr's high performance hoods provide maximum ventilation for today's kitchens. All of Zephyr's ventilation products deliver two to three times the power of a conventional range hood. The Breeze models are designed with convenience and efficiency in mind. Manufactured with the highest quality, Zephyr's innovative product line is ISO-9001 certified and carries a remarkable reputation in function, design, and warranty.

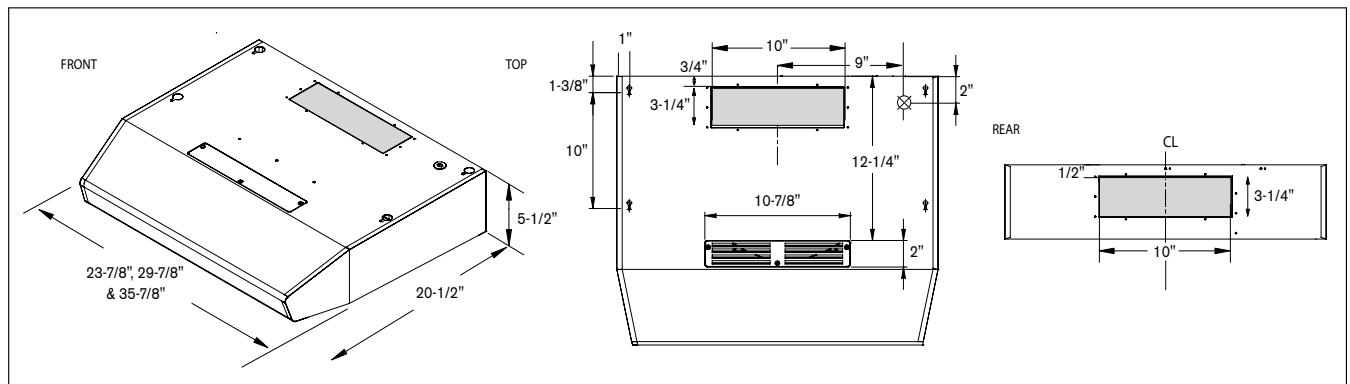


**ZEPHYR**  
www.zephyronline.com

**p o w e r   s e r i e s**

# BREEZE I

<b>MODEL:</b>	<b>AK1124</b>	<b>AK1100</b>	<b>AK1136</b>
Size	24"	30"	36"
Net Width	23-7/8"	29-7/8"	35-7/8"
<b>PERFORMANCE</b>			
CFM	250	250	250
Sones (Min-Max)	1.5 - 3.5	1.5 - 3.5	1.5 - 3.5
<b>COLOR/ FINISH</b>			
Black/B	no	•	•
White/W	•	•	•
Stainless Steel/S	•	•	•
Bisque/Q	no	•	•
<b>FEATURES &amp; ACCESSORIES</b>			
Aluminum Filters	2	2	3
Controls	slider	slider	slider
Speed Levels	3	3	3
Lighting (standard incandescent)	40R16	40R16	40R16
Lighting (optional halogen)	PAR20	PAR20	PAR20
Dual Level Lighting	•	•	•
Delay Off	no	no	no
<b>DUCT SPECIFICATIONS</b>			
Option 1 (vertical)	3-1/4" x 10"	3-1/4" x 10"	3-1/4" x 10"
Option 2 (rear horizontal)	3-1/4" x 10"	3-1/4" x 10"	3-1/4" x 10"
Option 3	recirculating*	recirculating*	recirculating*
*requires recirculating kit part # OAK11-21001			
<b>ACCESSORIES</b>			
Recirculating Kit	OAK11-21001	OAK11-21001	OAK11-21001
Aluminum Replacement Filters	OAK11-22002	OAK11-22001	OAK11-22001
Carbon Filter	OAK11-20001	OAK11-20001	OAK11-20001



Please call 1.888.880.VENT or check our website at [www.zephyronline.com](http://www.zephyronline.com) for the potential specifications updates before making cut-outs or ordering custom work/modifications.

