

# FRIGIDAIRE GALLERY

GCRE3060AD

GCRE3060AF

Available Colors : Black Stainless Steel, Stainless Steel

Version : 04/20

Electric Ranges

30" Rear Control Electric Range with Air Fry



## Product Specifications

### Electrical Specifications

Minimum Circuit Required (Amps)	40A
Voltage Rating	240V / 208V 60Hz

### Certifications & Approvals

Agency Approval	UL
Sabbath Mode	Yes

### Exterior

Cooktop Finish	Color-Coordinated Porcelain
Exterior Finish	Painted

### Dimensions: Exterior

Depth (with Door 90° Open)	49"
Depth Including Handle	29-1/4"
Height	48"
Width	30"

### Cooktop

Center Rear	100 Watts (Keep Warm)
Cooking Surface	Black Ceramic Glass
Cooktop Surface Type	smooth surface
Element On Indicator Light	1 Clear
Hot-Surface Indicator Light	1 Clear
Knob Color	Color-Coordinated
Knob Type	Weight Cast
Left Front	6/9" - 1400/3000 Watts
Left Rear	6" - 1200 Watts
Right Front	6/9/12" - 1200/2000/3000 Watts
Right Rear	6" - 1200 Watts

### Capacities

Total Capacity	5.7 Cu. Ft.
----------------	-------------

### Cooking Controls

Air Fry	Yes
Bake	Yes
Broil	Yes
Cancel	Yes
Convection Bake	Yes
Convection Conversion	Yes
Convection Roast	Yes
Cooktop Lock-out	Yes
Delay Clean	Yes
Door Lock	Yes
Keep Warm	Yes
Keypad Entry Time & Temp	Yes
Lockout	Yes
Self-Clean	Yes
Steam Clean	Yes
Set Clock	Yes
Start Button	Yes
Probe	Effortless Probe
Timer	Yes
Timer Shut-off	6 hours

### Oven

Bake	3500 Watts
Baking System	Even Baking Technology
Broil	3900 Watts
Broil System	Variable (400°F to 550°F)
Convection	900 Watts
Oven 1 Convection System	900 Watt True Convection
Hidden Bake Element	Yes
Interior Lighting	1 Incandescent
Oven 1 Interior Color	Slate Blue
Oven 1 Interior Depth	19-1/8"
Oven 1 Interior Height	21"
Oven 1 Interior Width	24-3/8"
Oven 1 Rack Configuration	2 Heavy Duty Handle + 1 Offset
Oven 1 Rack Positions	7 positions
Oven 1 Type	Main
Oven 1 Window	Extra-Large Visualite®

### Drawer

Drawer Functionality	Storage
Handle	Integrated

### General Specifications

Adjustable Leveling Legs	4 Adjustable
Made In USA	Yes
PROP 65 Label	Yes

Note: For planning purposes only. Always consult local and national electric, gas and plumbing codes. Refer to Product Installation Guide for detailed installation instructions on the web at [frigidaire.com / frigidaire.ca](http://frigidaire.com/frigidaire.ca). Specifications subject to change. Accessories information available on the web at [frigidaire.com / frigidaire.ca](http://frigidaire.com / frigidaire.ca).

# FRIGIDAIRE GALLERY

GCRE3060AD  
GCRE3060AF

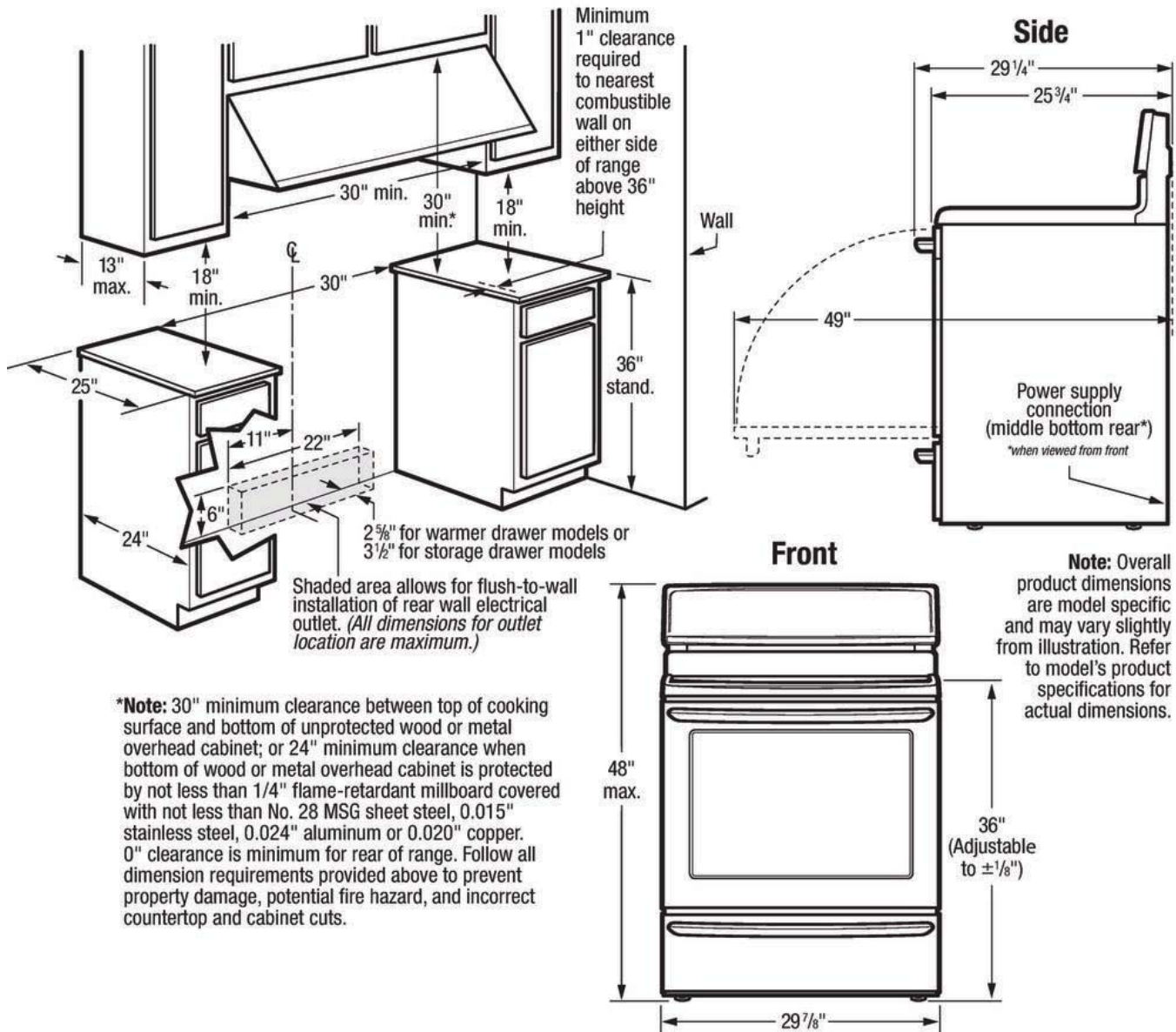
Available Colors : Black Stainless Steel, Stainless Steel

Version : 04/20

Electric Ranges

30" Rear Control Electric Range with Air Fry

## Installation Drawing



**\*Note:** 30" minimum clearance between top of cooking surface and bottom of unprotected wood or metal overhead cabinet; or 24" minimum clearance when bottom of wood or metal overhead cabinet is protected by not less than 1/4" flame-retardant millboard covered with not less than No. 28 MSG sheet steel, 0.015" stainless steel, 0.024" aluminum or 0.020" copper. 0" clearance is minimum for rear of range. Follow all dimension requirements provided above to prevent property damage, potential fire hazard, and incorrect countertop and cabinet cuts.

Note: For planning purposes only. Always consult local and national electric, gas and plumbing codes. Refer to Product Installation Guide for detailed installation instructions on the web at [frigidaire.com](http://frigidaire.com) / [frigidaire.ca](http://frigidaire.ca). Specifications subject to change. Accessories information available on the web at [frigidaire.com](http://frigidaire.com) / [frigidaire.ca](http://frigidaire.ca)