



5.3 cu. ft. Electric Range

WFE505W0H



Stainless Steel
WFE505W0HS

Also available in:

White

WFE505W0HW

Black

WFE505W0HB

Capacity

Oven 5.3 cu. ft.

General Features & Properties

Temperature Sensor

Closed Door Broiling

Warm Zone Element

Control Lock Mode

Steam Clean Option

5.3 cu. ft. Capacity

Easy-Wipe Ceramic Glass Cooktop

Large Oven Window

Dishwasher-Safe Knobs

Electrical Details

Amps 40

Volts 120/240

Certifications

ADA Compliant Yes

Star-K Certified/Kosher Yes

Technical Details

Fuel Type Electric

Range Type Freestanding Single Oven

Oven Cooking System Thermal

Number of Oven Racks 2

Cleaning Type Steam Clean

Number of Elements 5

Element Type Radiant

Element Size/Power
(1) 9" 6" 3000W
(1) 9" 2500W
(2) 6" 1200W
(1) 6" 100W

Dimensions

Product Dimensions (H x W x D)
46-7/8" x
29-7/8" x
27-3/4"

Depth with Door Open 90° 46-11/16"

Reference Material

[Dimension Guide](#)

[Install Guide](#)

[Use & Care Guide](#)

[Warranty](#)

Key Features & Benefits

Frozen Bake™ Technology

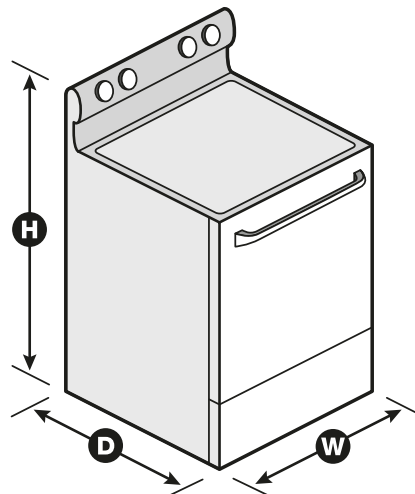
Cook frozen favorites faster with preprogrammed settings that automatically adjust cooking times.

FlexHeat™ Dual Radiant Element

A 6" inner ring is great for smaller pots and pans, while the 9" outer ring heats larger cookware.

Keep Warm Setting

Delivers low heat to the oven to keep prepared dishes from getting cold.



NOTE: Dimensions are for planning purposes only. For complete details, see Installation Instructions packed with product. Specifications subject to change without notice.

®/™ © 2020. All rights reserved. Printed in the U.S.A. D200052XXB. WFE505W0HSPECSHEETV01.