

PROF304CEMXE

PROFESSIONAL SERIES ELECTRIC RANGE 30" 4 HEATING ZONES
ELECTRIC OVEN - STAINLESS STEEL FINISH



Counter-deep maintop for flush installation with kitchen countertops and cabinets

4.7 cu.ft electric oven with dual horizontal convection fans for even baking and roasting on 7 shelf levels

6-pass electric broiler for broiling and grilling, with optional convection

Elegant temperature gauge for control of oven temperature during pre-heating and baking

Oven door with edge-to-edge tempered glass and soft-motion hinges

Designed and made in Italy

2 Year parts & labor warranty

For more information on this product or other Bertazzoni products please visit bertazzoni.com

MAINTOP FEATURES

Maintop	4 electric heating zones
Power	Front Left Ø 9" 2100W Back Left Ø 6" ½ 1200W Front Right 6" ½ 1200W Back Right 7" ¾ 1800W
Knobs	Metal finish with ergonomic shape
Cooktop indicator	Residual heat indicator light
Included	1" stainless steel island trim

OVEN FEATURES

Oven type	Electric oven
Power rating	Bake: Bottom 1600W Bake: Top 1200W Broiler: 2700W Convection: 2 x 1200W
Oven volume	4.7 cu.ft
Convection	Dual horizontal fans
Functions	Fast preheat - Bake - Bottom Bake Upper Bake - Convection - Convection Bake - Broil - Convection Broil - Pizza
Oven door	Tempered edge-to-edge triple glass
Oven door hinges	Soft-motion
Included accessories	2 wire shelves Baking tray with grill trivet

TECHNICAL SPECIFICATIONS

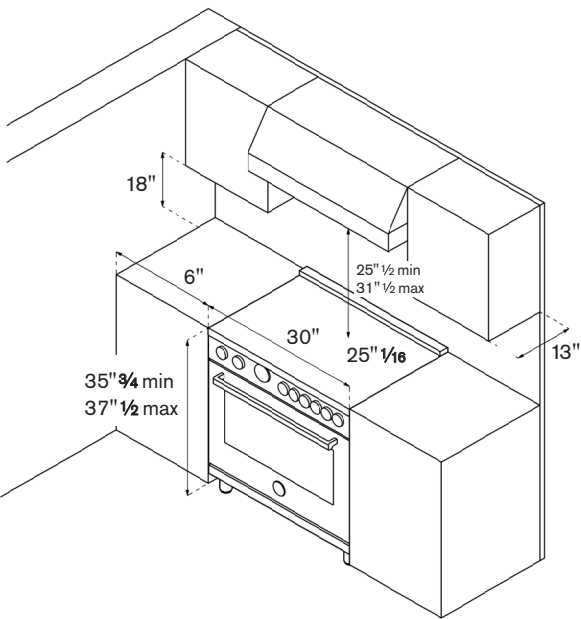
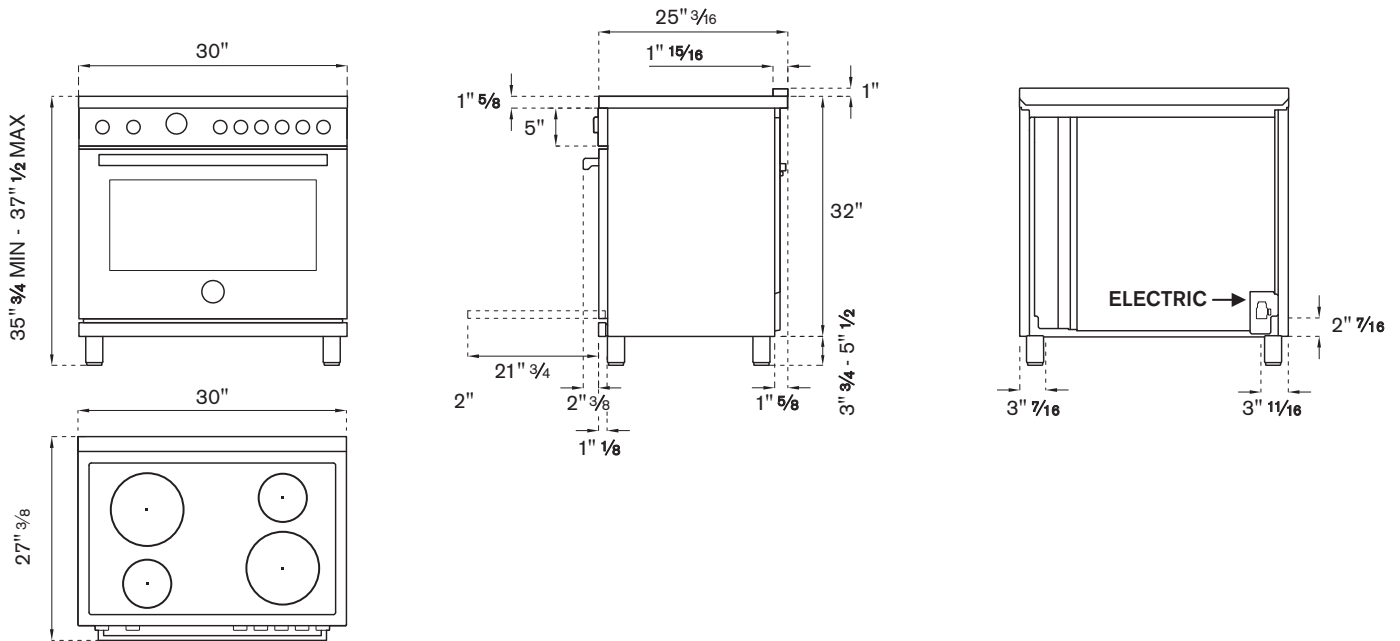
Electrical supply	120/240V 60 Hz – 10000W 120/208V 60Hz – 7500W 40 Amp dedicated circuit
Power connection	NEMA 14-50P plug with 59" cord
Certification	CSA
Warranty	2 years parts & labor

OPTIONAL ACCESSORIES

TKP30X	Toe kick
901471	Set of telescopic glides for oven rack
901272	Bertazzoni white porcelain baking dish
BGH36	4" backguard

PROF304CEMXE

PROFESSIONAL SERIES ELECTRIC RANGE 30" 4 HEATING ZONES
ELECTRIC OVEN - STAINLESS STEEL FINISH



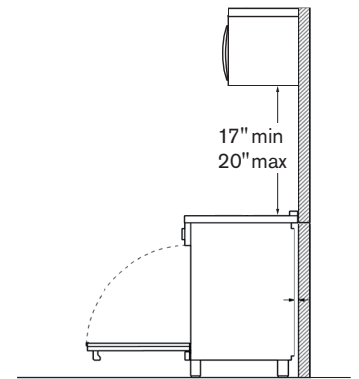
Side Clearance Requirements:

6" min clearance from edge of mantop.
Overhead Cabinet: 18" min height above countertop
13" max depth.

Ventilation Hood Clearance:

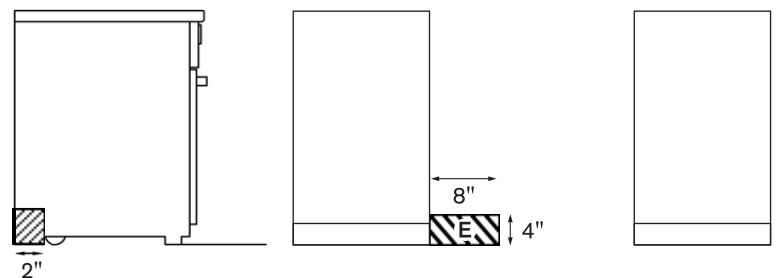
Ventilation Hood Clearance:
recommended height 25" ¹/₂ - 31" ¹/₂ above cooking surface.

OTR: recommended height 17" - 20" above cooking surface.



ELECTRICAL LINE

A properly-grounded horizontally- mounted electrical receptacle should be installed no higher than 3" (7,6 cm) above the floor, no less than 2" (5 cm) and no more than 8" (20,3 cm) from the left side (facing product). Check all local code requirements.



Installation clearance available behind range

Electrical Installation Location

Disclaimer: while every effort has been made to insure the accuracy of the information contained in this document, Fratelli Bertazzoni reserves the right to change any part of the information at any time without notice. For detailed installation specifications consult the installation manual. Fratelli Bertazzoni, Bertazzoni and the winged wheel brand icon are registered trademarks of Bertazzoni Spa.